

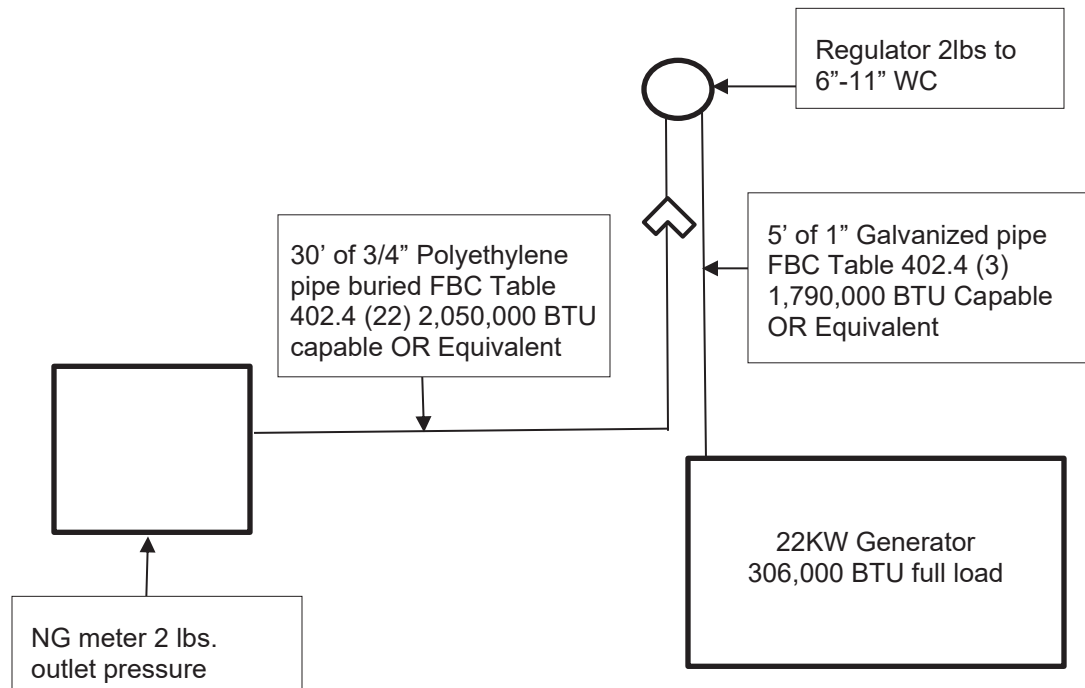


Cole Hoerner Reg# LI45057  
611 Charlotte St.  
Punta Gorda, FL 33950  
(941) 505-1212  
August 12, 2024

**Customer:** Kenneth Wagner  
10369 Sun Isle Drive  
Englewood, FL 34233


Florida Building Code – 8<sup>th</sup> Edition (2023)

*Cole Hoerner*



FBC Table 402.4 (22) Inlet Pressure 2.0 psi, Pressure Drop 1.0 psi, Specific Gravity 0.60 (Polyethylene)

FBC Table 402.4 (3) Inlet Pressure Less than 2 psi Pressure Drop 3.0 in. w.c. Specific Gravity 0.60 (Galvanized)

 Shut-off Valve

# SERVICE INFORMATION BULLETIN

**DATE:** November 2016 (Rev. A)

**SUBJECT:** Generator Installation Best Practices

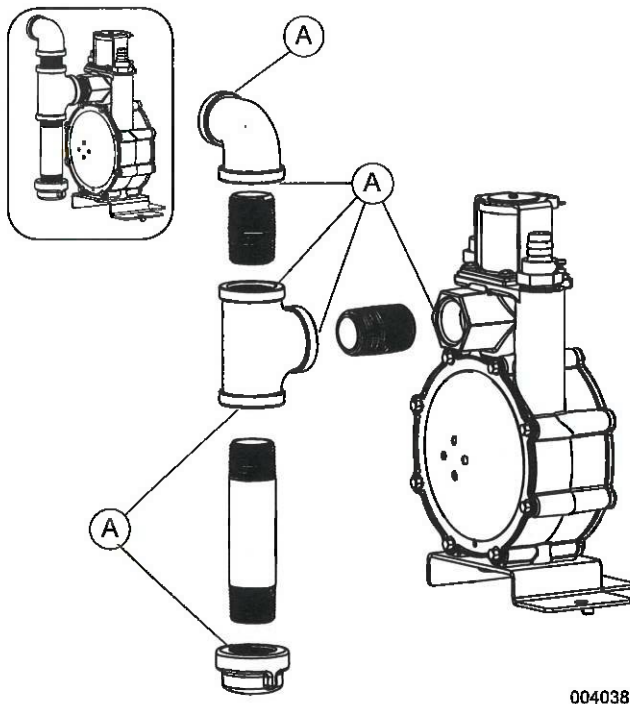
**MODELS AFFECTED:** All Generac air-cooled home standby products: Guardian, PowerPact, EcoGen, Synergy  
**Model Numbers:** G006998, G007029, G007030, G007031, G007032, G007033, G007034, G007035, G007036, G007037, G007038, G007039, G007040, G007042, G007043

**OVERVIEW:** With the latest enhancements to the Generac air-cooled home standby products, all products are now designed for easier and lower-cost installation. The sediment trap, for example, is now installed at the factory and contained within the generator enclosure. This enhancement eliminates additional costs and labor associated with field installation.

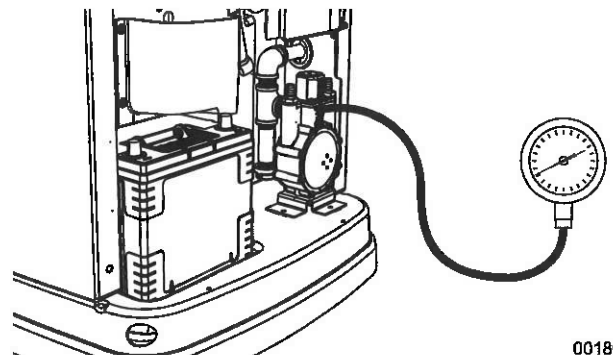
All products are tested at the factory before shipping to ensure the performance and integrity of the fuel system. However, it is important to perform a final fuel system leak test before starting the generator. The entire fuel system should be tested from supply to regulator.

## REQUESTED ACTION:

1. See **Figure 1**. Perform a final fuel system leak test after generator installation has been completed. The test will identify possible leaks at all connection points (A).  
  
It is also best practice to perform a fuel system leak test during normally-scheduled maintenance.
2. See **Figure 2**. While the unit end panel is removed, Generac recommends performing a loaded fuel pressure test to ensure optimal generator performance. Refer to "Checking Gas Line Connections" in the generator Installation Manual for the testing procedure.



**Figure 1 - Validate All Connection Points**



**Figure 2 - Perform Loaded Fuel Pressure Test**