

Permit # 19 104376 00 B1

Permit # 19 104360 B1

Viktor Romanyuk

WCCI - 941-815-8704

viktor.wcci@mail.com

**DIVISION: 08 00 00—OPENINGS**  
**Section: 08 95 43—Vents / Foundation Flood Vents**

**REPORT HOLDER:**

**SMART PRODUCT INNOVATIONS, INC.**

**EVALUATION SUBJECT:**

**FREEDOM FLOOD VENT™ AUTOMATIC FOUNDATION  
 FLOOD VENT: MODEL FFV-1608**

**1.0 EVALUATION SCOPE**

**Compliance with the following codes:**

- 2018, 2015, 2012, 2009 and 2006 *International Building Code*® (IBC)
- 2018, 2015, 2012, 2009 and 2006 *International Residential Code*® (IRC)

**Properties evaluated:**

- Physical operation
- Water flow
- Weathering

**2.0 USES**

The model FFV-1608 Freedom Flood Vent™ is used to equalize hydrostatic pressure on walls of enclosures subject to rising or falling floodwaters. With the cover removed, the model FFV-1608 also provides natural air ventilation.

**3.0 DESCRIPTION**

**3.1 General:**

The model FFV-1608 Freedom Flood Vent™ is an engineered mechanically operated in-wall flood vent (FV) that automatically allows floodwater to enter an enclosed area and exit. The FV is comprised of a polycarbonate frame with mounting flange and a polycarbonate horizontally pivoting door. When subjected to rising water, the model FFV-1608 Freedom Flood Vent™ door is activated and pivots to allow water and debris to flow in either direction to equalize hydrostatic pressure from one side of the enclosure to the other. The FV features a removable polycarbonate cover. The FV door will activate and pivot when subjected to rising water with or without the polycarbonate cover installed.

**3.2 Engineered Opening:**

The FV complies with the design principle noted in Section 2.7.2.2 and Section 2.7.3 of ASCE/ SEI 24-14 (2018 and 2015 IBC and IRC) [Section 2.6.2.2 of ASCE/ SEI 24-05 (2012, 2009, 2006 IBC and IRC)] for a maximum rate of rise and fall of 5.0 feet per hour (0.423 mm/s). In order to comply with the engineered opening requirement of ASCE/ SEI 24, Freedom Flood Vent™ FVs must be installed in accordance with Section 4.0 below. See Table 1 for vent size and maximum allowable area coverage for a single vent.

**4.0 DESIGN AND INSTALLATION**

The model FFV-1608 Freedom Flood Vent™ is designed to be installed into walls or overhead doors of existing or new construction. Installation of the vent must be in accordance with the manufacturer’s instructions, the applicable code, and this report. In order to comply with the engineered opening design principle noted in Sections 2.7.2.2 and 2.7.3 of ASCE/ SEI 24-14 (2018 and 2015 IBC and IRC) [Section 2.6.2.2 of ASCE/ SEI 24-05 (2012, 2009, 2006 IBC and IRC)], the Freedom Flood Vent™ must be installed as follows:

- With a minimum of two openings on different sides of each enclosed area.
- With a minimum of one FV for every 250 square feet (23.2 m<sup>2</sup>) of enclosed area.
- Below the base flood elevation.
- With the bottom of the vent located a maximum of 12 inches (305.4 mm) above the higher of the final interior grade or floor and the finished exterior grade immediately under each opening.

**5.0 CONDITIONS OF USE**

The Freedom Flood Vent™ described in this report complies with, or is a suitable alternative to what is specified in, those codes listed in Section 1.0 of this report, subject to the following conditions:

- 5.1 The model FFV-1608 Freedom Flood Vent™ unit must be installed in accordance with this report, the applicable code and the manufacturer’s published installation instructions. In the event of a conflict, the instructions in this report shall govern.
- 5.2 The model FFV-1608 Freedom Flood Vent™ unit must not be used in place of “breakaway walls” in coastal high hazard areas, but are permitted for use in conjunction with breakaway walls in other areas.

*ICC-ES Evaluation Reports are not to be construed as representing aesthetics or any other attributes not specifically addressed, nor are they to be construed as an endorsement of the subject of the report or a recommendation for its use. There is no warranty by ICC Evaluation Service, LLC, express or implied, as to any finding or other matter in this report, or as to any product covered by the report.*

5.3 Use of the Freedom Flood Vent as under-floor space ventilation is outside the scope of this report.

**6.0 EVIDENCE SUBMITTED**

Data in accordance with the ICC-ES Acceptance Criteria for Mechanically Operated Flood Vents (AC364), dated August 2015 (editorially revised October 2017).

**7.0 IDENTIFICATION**

7.1 The Freedom Flood Vent™ model recognized in this report must be identified by a label bearing the manufacturer's name (Smart Product Innovations, Inc.) and the evaluation report number (ESR-4332.).

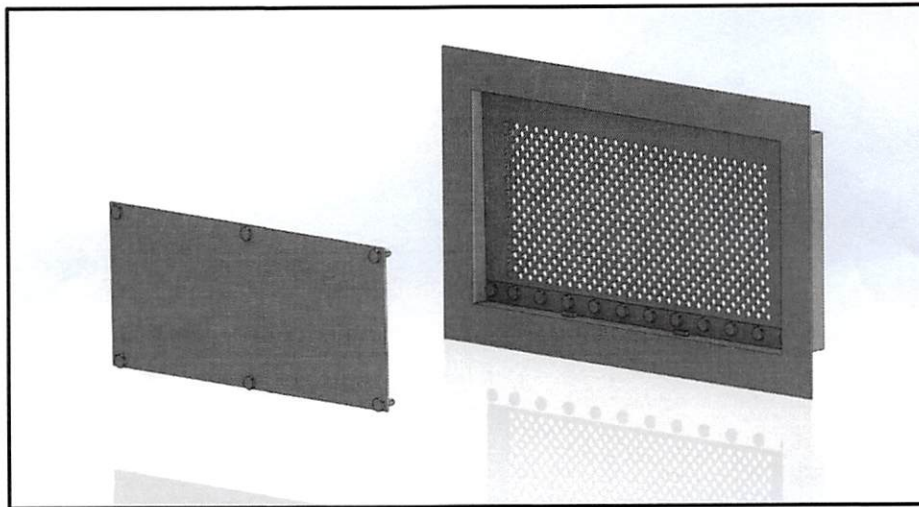
7.2 The report holder's contact information is the following:

**SMART PRODUCT INNOVATIONS, INC.**  
**430 ANDBRO DRIVE, UNIT 1**  
**PITMAN, NEW JERSEY 08071**  
**(800) 507-1527**  
[www.freedomfloodvent.com](http://www.freedomfloodvent.com)  
[info@freedomfloodvent.com](mailto:info@freedomfloodvent.com)

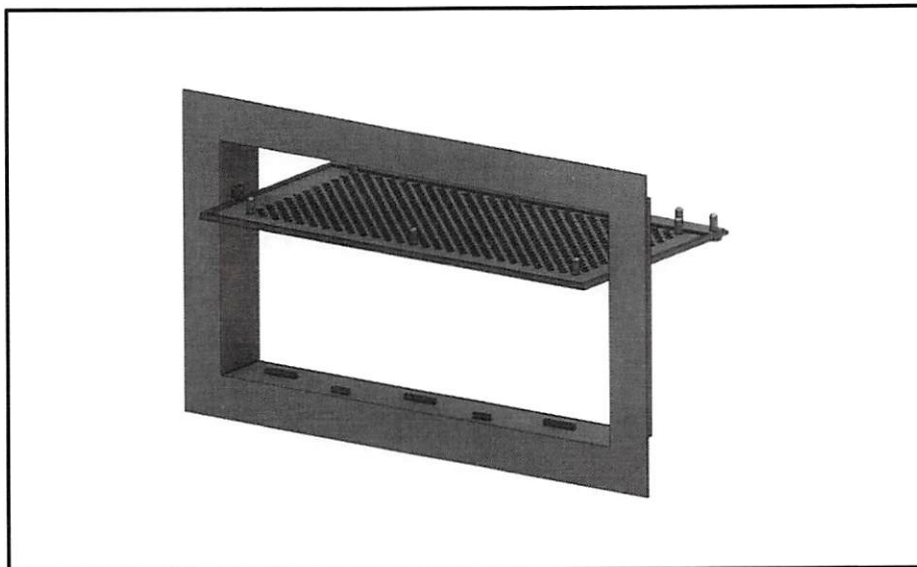
**TABLE 1—FREEDOM FLOOD VENT™**

MODEL NAME	MODEL NUMBER	MODEL SIZE	COVERAGE (sq. ft.)
Freedom Flood Vent™	FFV-1608	15 <sup>3</sup> / <sub>4</sub> " X 8 <sup>1</sup> / <sub>16</sub> "	250

For SI: 1 inch = 25.4 mm



**FIGURE 1—MODEL FFV-1608 FREEDOM FLOOD VENT™: SHOWN WITH COVER REMOVED**



**FIGURE 2—MODEL FFV-1608 FREEDOM FLOOD VENT™: SHOWN WITH FLOOD DOOR PIVOTED OPEN**

**DIVISION: 08 00 00—OPENINGS****Section: 08 95 43—Vents / Foundation Flood Vents****REPORT HOLDER:****SMART PRODUCT INNOVATIONS, INC.****EVALUATION SUBJECT:****FREEDOM FLOOD VENT™ AUTOMATIC FOUNDATION FLOOD VENT: MODEL FFV-1608****1.0 REPORT PURPOSE AND SCOPE****Purpose:**

The purpose of this evaluation report supplement is to indicate that the Freedom Flood Vent™ Automatic Foundation Flood Vent: Model FFV-1608, recognized in ICC-ES master evaluation report ESR-4332, has also been evaluated for compliance with codes noted below.

**Applicable code edition(s):**

- 2016 *California Building Code* (CBC)
- 2016 *California Residential Code* (CRC)

**2.0 CONCLUSIONS****2.1 CBC:**

The Freedom Flood Vent™ Automatic Foundation Flood Vent: Model FFV-1608, described in Sections 2.0 through 7.0 of the master evaluation report ESR-4332, complies with CBC Chapters 12, 16 and 16A, provided the design and installation are in accordance with the 2015 *International Building Code*® (2015 IBC) provisions noted in the master report and the additional requirements of 12, 16, and 16A, as applicable.

The product recognized in this supplement has not been evaluated under CBC Chapter 7A for use in the exterior design and construction of new buildings located in any Fire Hazard Severity Zone within State Responsibility Areas or any Wildland-Urban Interface Fire Area.

**2.2 CRC:**

The Freedom Flood Vent™ Automatic Foundation Flood Vent: Model FFV-1608, described in Sections 2.0 through 7.0 of the master evaluation report ESR-4332, complies with the 2016 CRC, provided the design and installation are in accordance with the 2015 *International Residential Code*® (2015 IRC) provisions noted in the master report.

The product recognized in this supplement has not been evaluated under 2016 CRC Chapter R337, for use in the exterior design and construction of new buildings located in any Fire Hazard Severity Zone within State Responsibility Areas or any Wildland-Urban Interface Fire Area.

The product recognized in this supplement has not been evaluated for compliance with the *International Wildland-Urban Interface Code*®.

This supplement expires concurrently with the evaluation report, reissued March 2020.

DIVISION: 08 00 00—OPENINGS

Section: 08 95 43—Vents / Foundation Flood Vents

REPORT HOLDER:

SMART PRODUCT INNOVATIONS, INC.

EVALUATION SUBJECT:

FREEDOM FLOOD VENT™ AUTOMATIC FOUNDATION FLOOD VENT: MODEL FFV-1608

## 1.0 REPORT PURPOSE AND SCOPE

**Purpose:**

The purpose of this evaluation report supplement is to indicate that Freedom Flood Vent™ Automatic Foundation Flood Vent: Model FFV-1608, recognized in ICC-ES master evaluation report ESR-4332, has also been evaluated for compliance with the codes noted below.

**Applicable code editions:**

- 2017 *Florida Building Code—Building*
- 2017 *Florida Building Code—Residential*

## 2.0 CONCLUSIONS

The Freedom Flood Vent™ Automatic Foundation Flood Vent: Model FFV-1608, described in Sections 2.0 through 7.0 of the master evaluation report ESR-4332, complies with the *Florida Building Code—Building* and the *Florida Building Code—Residential*, provided the design and installation are in accordance with the *International Building Code*® (IBC) provisions noted in the master report.

Use of the Freedom Flood Vent™ Automatic Foundation Flood Vent: Model FFV-1608 has also been found to be in compliance with the High-Velocity Hurricane Zone provisions of the *Florida Building Code—Building* and the *Florida Building Code—Residential*.

For products falling under Florida Rule 9N-3, verification that the report holder's quality assurance program is audited by a quality assurance entity approved by the Florida Building Commission for the type of inspections being conducted is the responsibility of an approved validation entity (or the code official, when the report holder does not possess an approval by the Commission).

This supplement expires concurrently with the evaluation report, reissued March 2020.

# ELEVATION CERTIFICATE

Important: Follow the instructions on pages 1-9.

Copy all pages of this Elevation Certificate and all attachments for (1) community official, (2) insurance agent/company, and (3) building owner.

SECTION A – PROPERTY INFORMATION				FOR INSURANCE COMPANY USE	
A1. Building Owner's Name West Coast Contracting				Policy Number:	
A2. Building Street Address (including Apt., Unit, Suite, and/or Bldg. No.) or P.O. Route and Box No. 1561 Rossanne Place				Company NAIC Number:	
City Englewood		State Florida		ZIP Code 34223	
A3. Property Description (Lot and Block Numbers, Tax Parcel Number, Legal Description, etc.) Lot 15, Burnswood Subdivision, Sarasota County, Florida					
A4. Building Use (e.g., Residential, Non-Residential, Addition, Accessory, etc.) <u>Residential</u>					
A5. Latitude/Longitude: Lat. <u>26°56'49.6" N.</u> Long. <u>082°20'28.3" W.</u> Horizontal Datum: <input type="checkbox"/> NAD 1927 <input checked="" type="checkbox"/> NAD 1983					
A6. Attach at least 2 photographs of the building if the Certificate is being used to obtain flood insurance.					
A7. Building Diagram Number <u>1B</u>					
A8. For a building with a crawlspace or enclosure(s):					
a) Square footage of crawlspace or enclosure(s) <u>N/A</u> sq ft					
b) Number of permanent flood openings in the crawlspace or enclosure(s) within 1.0 foot above adjacent grade <u>N/A</u>					
c) Total net area of flood openings in A8.b <u>N/A</u> sq in					
d) Engineered flood openings? <input type="checkbox"/> Yes <input checked="" type="checkbox"/> No					
A9. For a building with an attached garage:					
a) Square footage of attached garage <u>466</u> sq ft					
b) Number of permanent flood openings in the attached garage within 1.0 foot above adjacent grade <u>4</u>					
c) Total net area of flood openings in A9.b <u>*See Comments* 1000</u> sq in					
d) Engineered flood openings? <input checked="" type="checkbox"/> Yes <input type="checkbox"/> No					
SECTION B – FLOOD INSURANCE RATE MAP (FIRM) INFORMATION					
B1. NFIP Community Name & Community Number Sarasota County 125144			B2. County Name Sarasota		B3. State Florida
B4. Map/Panel Number 12115C-0454	B5. Suffix F	B6. FIRM Index Date 11/04/2016	B7. FIRM Panel Effective/ Revised Date 11/04/2016	B8. Flood Zone(s) AE	B9. Base Flood Elevation(s) (Zone AO, use Base Flood Depth) 11 Feet
B10. Indicate the source of the Base Flood Elevation (BFE) data or base flood depth entered in Item B9: <input type="checkbox"/> FIS Profile <input checked="" type="checkbox"/> FIRM <input type="checkbox"/> Community Determined <input type="checkbox"/> Other/Source: _____					
B11. Indicate elevation datum used for BFE in Item B9: <input type="checkbox"/> NGVD 1929 <input checked="" type="checkbox"/> NAVD 1988 <input type="checkbox"/> Other/Source: _____					
B12. Is the building located in a Coastal Barrier Resources System (CBRS) area or Otherwise Protected Area (OPA)? <input type="checkbox"/> Yes <input checked="" type="checkbox"/> No Designation Date:     _____ <input type="checkbox"/> CBRS <input type="checkbox"/> OPA					

ELEVATION CERTIFICATE

OMB No. 1660-0008
Expiration Date: November 30, 2022

IMPORTANT: In these spaces, copy the corresponding information from Section A.
FOR INSURANCE COMPANY USE
Building Street Address (including Apt., Unit, Suite, and/or Bldg. No.) or P.O. Route and Box No.
1561 Rossanne Place
City Englewood State Florida ZIP Code 34223
Policy Number:
Company NAIC Number

SECTION C - BUILDING ELEVATION INFORMATION (SURVEY REQUIRED)

C1. Building elevations are based on: [ ] Construction Drawings\* [ ] Building Under Construction\* [X] Finished Construction

\*A new Elevation Certificate will be required when construction of the building is complete.

C2. Elevations - Zones A1-A30, AE, AH, A (with BFE), VE, V1-V30, V (with BFE), AR, AR/A, AR/AE, AR/A1-A30, AR/AH, AR/AO. Complete Items C2.a-h below according to the building diagram specified in Item A7. In Puerto Rico only, enter meters. Benchmark Utilized N.G.S. P-734 Vertical Datum: N.A.V.D. 88

Indicate elevation datum used for the elevations in items a) through h) below.

[ ] NGVD 1929 [X] NAVD 1988 [ ] Other/Source: \_\_\_\_\_

Datum used for building elevations must be the same as that used for the BFE.

Table with 3 columns: Item description, Elevation value, and Measurement unit. Items include: a) Top of bottom floor (12.6), b) Top of the next higher floor (N/A), c) Bottom of the lowest horizontal structural member (N/A), d) Attached garage (9.8), e) Lowest elevation of machinery (12.2), f) Lowest adjacent finished grade next to building (9.4), g) Highest adjacent finished grade next to building (9.9), h) Lowest adjacent grade at lowest elevation of deck or stairs (9.8).

SECTION D - SURVEYOR, ENGINEER, OR ARCHITECT CERTIFICATION

This certification is to be signed and sealed by a land surveyor, engineer, or architect authorized by law to certify elevation information. I certify that the information on this Certificate represents my best efforts to interpret the data available. I understand that any false statement may be punishable by fine or imprisonment under 18 U.S. Code, Section 1001.

Were latitude and longitude in Section A provided by a licensed land surveyor? [X] Yes [ ] No [X] Check here if attachments.

Certifier's Name: Alan K. Fish, PSM; License Number: LS 3941; Title: Professional Surveyor & Mapper; Company Name: Van Buskirk / Fish & Associates, Inc.; Address: 12450 Tamiami Trail; City: North Port; State: Florida; ZIP Code: 34287

Place Seal Here

Signature: Date: 2/25/21 Telephone: (941) 426-0681 Ext.:

Copy all pages of this Elevation Certificate and all attachments for (1) community official, (2) insurance agent/company, and (3) building owner.

Comments (including type of equipment and location, per C2(e), if applicable)
\*In item A9. c) The Vent covers are engineered made by Freedom Flood Vent TM. model# FFV-1608 in the Garage Wall all are rated at 250 sq in each (ICC-ES Report ESR-4332 is attached). Total vent area= 1000 sq in.\*. Elevation in item C2 e) is the water heater, the A/C Pad elevation is at 12.6 feet. Information provided in this Elevation Certificate is based on the building conditions at time of survey. Any building revisions affecting the items reported in this Certificate will require an updated Elevation Certificate.

Job# 18-1485

# ELEVATION CERTIFICATE

OMB No. 1660-0008  
Expiration Date: November 30, 2022

<b>IMPORTANT: In these spaces, copy the corresponding information from Section A.</b>			<b>FOR INSURANCE COMPANY USE</b>
Building Street Address (including Apt., Unit, Suite, and/or Bldg. No.) or P.O. Route and Box No. 1561 Rossanne Place			Policy Number:
City Englewood	State Florida	ZIP Code 34223	Company NAIC Number

## SECTION E – BUILDING ELEVATION INFORMATION (SURVEY NOT REQUIRED) FOR ZONE AO AND ZONE A (WITHOUT BFE)

- For Zones AO and A (without BFE), complete Items E1–E5. If the Certificate is intended to support a LOMA or LOMR-F request, complete Sections A, B, and C. For Items E1–E4, use natural grade, if available. Check the measurement used. In Puerto Rico only, enter meters.
- E1. Provide elevation information for the following and check the appropriate boxes to show whether the elevation is above or below the highest adjacent grade (HAG) and the lowest adjacent grade (LAG).
- a) Top of bottom floor (including basement, crawlspace, or enclosure) is N/A  feet  meters  above or  below the HAG.
- b) Top of bottom floor (including basement, crawlspace, or enclosure) is N/A  feet  meters  above or  below the LAG.
- E2. For Building Diagrams 6–9 with permanent flood openings provided in Section A Items 8 and/or 9 (see pages 1–2 of Instructions), the next higher floor (elevation C2.b in the diagrams) of the building is N/A  feet  meters  above or  below the HAG.
- E3. Attached garage (top of slab) is N/A  feet  meters  above or  below the HAG.
- E4. Top of platform of machinery and/or equipment servicing the building is N/A  feet  meters  above or  below the HAG.
- E5. Zone AO only: If no flood depth number is available, is the top of the bottom floor elevated in accordance with the community's floodplain management ordinance?  Yes  No  Unknown. The local official must certify this information in Section G.

## SECTION F – PROPERTY OWNER (OR OWNER'S REPRESENTATIVE) CERTIFICATION

The property owner or owner's authorized representative who completes Sections A, B, and E for Zone A (without a FEMA-issued or community-issued BFE) or Zone AO must sign here. The statements in Sections A, B, and E are correct to the best of my knowledge.

Property Owner or Owner's Authorized Representative's Name

Address City State ZIP Code

Signature Date Telephone

Comments

JOB# 18-1485

Check here if attachments.





# BUILDING PHOTOGRAPHS

## ELEVATION CERTIFICATE

See Instructions for Item A6.

OMB No. 1660-0008

Expiration Date: November 30, 2022

<b>IMPORTANT: In these spaces, copy the corresponding information from Section A.</b>			<b>FOR INSURANCE COMPANY USE</b>
Building Street Address (including Apt., Unit, Suite, and/or Bldg. No.) or P.O. Route and Box No. <b>1561 Rossanne Place</b>			Policy Number:
City <b>Englewood</b>	State <b>Florida</b>	ZIP Code <b>34223</b>	Company NAIC Number

If using the Elevation Certificate to obtain NFIP flood insurance, affix at least 2 building photographs below according to the instructions for Item A6. Identify all photographs with date taken; "Front View" and "Rear View"; and, if required, "Right Side View" and "Left Side View." When applicable, photographs must show the foundation with representative examples of the flood openings or vents, as indicated in Section A8. If submitting more photographs than will fit on this page, use the Continuation Page.



Photo 1 Caption

Front View

Date Taken 2/25/21



Photo 2 Caption

Rear View

JOB# 18-1485

Date Taken 11/25/20

# BUILDING PHOTOGRAPHS

Continuation Page

OMB No. 1660-0008

Expiration Date: November 30, 2022

## ELEVATION CERTIFICATE

<b>IMPORTANT: In these spaces, copy the corresponding information from Section A.</b>			<b>FOR INSURANCE COMPANY USE</b>
Building Street Address (including Apt., Unit, Suite, and/or Bldg. No.) or P.O. Route and Box No. 1561 Rossanne Place			Policy Number:
City Englewood	State Florida	ZIP Code 34223	Company NAIC Number

If submitting more photographs than will fit on the preceding page, affix the additional photographs below. Identify all photographs with: date taken; "Front View" and "Rear View"; and, if required, "Right Side View" and "Left Side View." When applicable, photographs must show the foundation with representative examples of the flood openings or vents, as indicated in Section A8.

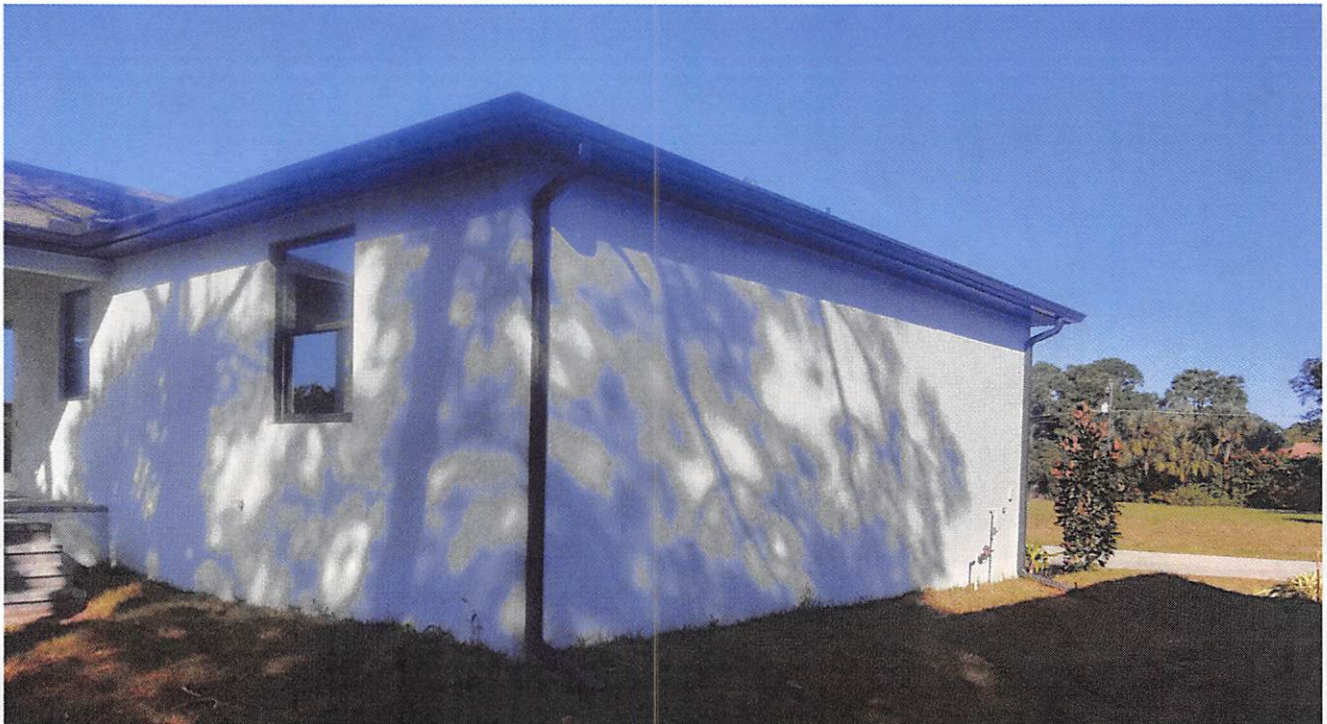


Photo 3 Caption

Left View

Date Taken 11/25/20



Photo 4 Caption

Right View

JOB# 18-1485

Date Taken 2/25/21

# BUILDING PHOTOGRAPHS

## ELEVATION CERTIFICATE

Continuation Page

OMB No. 1660-0008  
Expiration Date: November 30, 2022

<b>IMPORTANT: In these spaces, copy the corresponding information from Section A.</b>			<b>FOR INSURANCE COMPANY USE</b>
Building Street Address (including Apt., Unit, Suite, and/or Bldg. No.) or P.O. Route and Box No. <b>1561 Rossanne Place</b>			Policy Number:
City <b>Englewood</b>	State <b>Florida</b>	ZIP Code <b>34223</b>	Company NAIC Number

If submitting more photographs than will fit on the preceding page, affix the additional photographs below. Identify all photographs with: date taken; "Front View" and "Rear View"; and, if required, "Right Side View" and "Left Side View." When applicable, photographs must show the foundation with representative examples of the flood openings or vents, as indicated in Section A8.



Photo 5 Caption	(Typ) Garage wall Flood Vents	JOB# 18-1485	Date Taken 2/25/21
-----------------	-------------------------------	--------------	--------------------

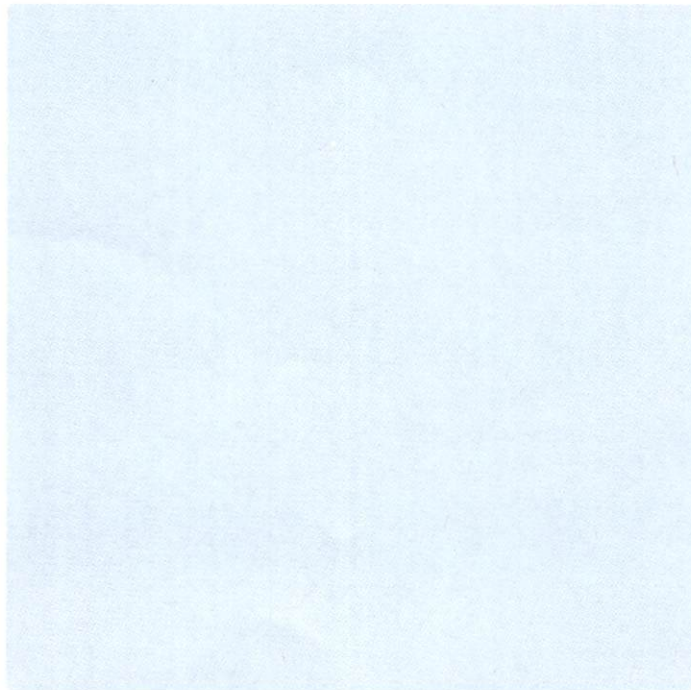


Photo 6 Caption		JOB# 18-1485	Date Taken
-----------------	--	--------------	------------