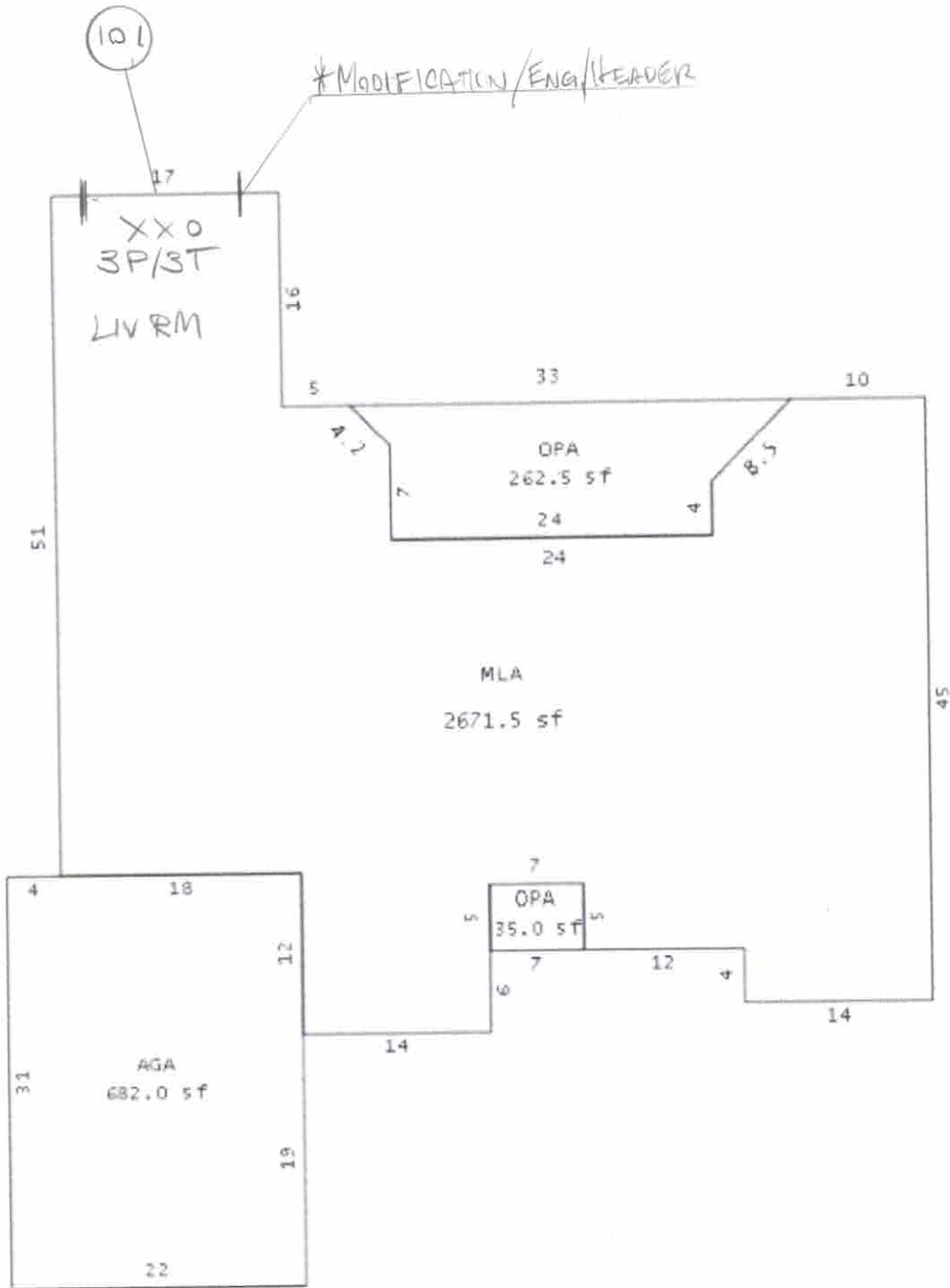


STEVEN FEHR

23 137162 00 BI

5557 Greenside Ct.

Sarasota FL 34241



**OFFICIAL DOCUMENTS**

Per Sarasota County Ordinance, approved plans must be on-site at time of inspection.

**Sarasota County Planning  
& Development Services**



MIAMI-DADE COUNTY  
 PRODUCT CONTROL SECTION  
 11805 SW 26 Street, Room 208  
 Miami, Florida 33175-2474  
 T (786) 315-2590 F (786) 315-2599  
 www.miamidade.gov/economy

DEPARTMENT OF REGULATORY AND ECONOMIC RESOURCES (RER)  
 BOARD AND CODE ADMINISTRATION DIVISION  
**NOTICE OF ACCEPTANCE (NOA)**

**PGT Industries, Inc.**  
**1070 Technology Drive,**  
**North Venice, Fl. 34275**

**SCOPE:**

This NOA is being issued under the applicable rules and regulations governing the use of construction materials. The documentation submitted has been reviewed and accepted by Miami-Dade County RER -Product Control Section to be used in Miami Dade County and other areas where allowed by the Authority Having Jurisdiction (AHJ).

This NOA shall not be valid after the expiration date stated below. The Miami-Dade County Product Control Section (In Miami Dade County) and/or the AHJ (in areas other than Miami Dade County) reserve the right to have this product or material tested for quality assurance purposes. If this product or material fails to perform in the accepted manner, the manufacturer will incur the expense of such testing and the AHJ may immediately revoke, modify, or suspend the use of such product or material within their jurisdiction. RER reserves the right to revoke this acceptance, if it is determined by Miami-Dade County Product Control Section that this product or material fails to meet the requirements of the applicable building code.

This product is approved as described herein and has been designed to comply with the Florida Building Code, including the High Velocity Hurricane Zone.

**DESCRIPTION: Series "SGD-770" Aluminum Sliding Glass Doors w/ 90° & 135° corners –L.M.I.**

**APPROVAL DOCUMENT:** Drawing No. **PGT0130 Rev D**, titled "Series 770 Alum. SGD - LM Impact", sheets 1 through 22 of 22, dated 10/10/14 and last revised on 04/22/20, prepared by manufacturer, signed and sealed by Anthony Lynn Miller, P.E., bearing the Miami-Dade County Product Control Revision stamp with the Notice of Acceptance number and expiration date by the Miami-Dade County Product Control Section.

**MISSILE IMPACT RATING: Large and Small Missile Impact Resistant**

**Limitations:**

1. Max eight (8) panels configuration unit is allowed, having max nominal panel size not to exceed tested height & width per tables 1 thru 3. See sheets 6, 7 and 8 for Design Pressures (DP), glass types, Sill type for Positive DP limits, applicable Standard or Heavy-Duty parts and anchorage requirements. See Typ. Installation in sheet 10 for straight configured units, sheet 11 for corner units and sheet 14 for pocketed units. Pockets & Egress requirements to be reviewed by Building official.

**LABELING:** Each unit shall bear a permanent label with the manufacturer's name or logo, city, state and series and following statement: "Miami-Dade County Product Control Approved", unless otherwise noted herein.

**RENEWAL** of this NOA shall be considered after a renewal application has been filed and there has been no change in the applicable building code negatively affecting the performance of this product.

**TERMINATION** of this NOA will occur after the expiration date or if there has been a revision or change in the materials, use, and/or manufacture of the product or process. Misuse of this NOA as an endorsement of any product, for sales, advertising or any other purposes shall automatically terminate this NOA. Failure to comply with any section of this NOA shall be cause for termination and removal of NOA.

**ADVERTISEMENT:** The NOA number preceded by the words Miami-Dade County, Florida, and followed by the expiration date may be displayed in advertising literature. If any portion of the NOA is displayed, then it shall be done in its entirety.

**INSPECTION:** A copy of this entire NOA shall be provided to the user by the manufacturer or its distributors and shall be available for inspection at the job site at the request of the Building Official.

This NOA **renews NOA # 19-1126.03** and consists of this page 1 and evidence pages E-1, E-2, E-3 & E-4, as well as approval document mentioned above.

The submitted documentation was reviewed by **Ishaq I. Chanda, P.E.**

**OFFICIAL DOCUMENTS**

**Per Sarasota County Ordinance, approved plans must be on-site at time of inspection.**

**Sarasota County Planning & Development Services**



NOA No. 20-0429.09  
 Expiration Date: February 17, 2025  
 Approval Date: October 15, 2020  
 Page 1

**PGT Industries, Inc.****NOTICE OF ACCEPTANCE: EVIDENCE SUBMITTED****1. Evidence submitted under previous approvals under file #15-1013.15****A. DRAWINGS**

1. Manufacturer's die drawings and sections (submitted under files See below)
2. Drawing No. **PGT0130**, titled "Series 770 Alum. SGD – LM Impact", sheets 1 through 22 of 22, dated 10/10/14, with revision A dated 10/08/15, prepared by manufacturer, signed and sealed by Lynn Miller, P.E.

**B. TESTS**

1. Test reports on: 1) Air Infiltration Test, per FBC, TAS 202-94  
2) Uniform Static Air Pressure Test, Loading per FBC, TAS 202-94  
3) Water Resistance Test, per FBC, TAS 202-94  
4) Large Missile Impact Test per FBC, TAS 201-94  
5) Cyclic Wind Pressure Loading per FBC, TAS 203-94  
6) Forced Entry Test, per FBC 2411.3.2.1, and TAS 202-94

along with marked-up drawings and installation diagram of an aluminum sliding glass door, prepared by Fenestration Testing Laboratory, Inc., Test Report No. **FTL-7554**, dated 11/01/13, signed and sealed by Marlin D. Brinson, P.E. (*Submitted under NOA No. 14-0123.10*)

2. Test reports on: 1) Uniform Static Air Pressure Test, Loading per FBC, TAS 202-94  
2) Uniform Static Air Pressure Test, Loading per FBC, TAS 202-94  
3) Water Resistance Test, per FBC, TAS 202-94  
4) Large Missile Impact Test per FBC, TAS 201-94  
5) Cyclic Wind Pressure Loading per FBC, TAS 203-94  
6) Forced Entry Test, per FBC 2411.3.2.1, and TAS 202-94

along with marked-up drawings and installation diagram of an aluminum sliding glass door, prepared by Fenestration Testing Laboratory, Inc., Test Reports No.:

**FTL-5980-R, FTL-6001-R and FTL-6015-R**, which have been revised and reissued on 12/29/09, all signed and sealed by Julio Gonzales, P.E. (*Submitted under NOA No. 09-0826.10*)

Along with marked-up drawings and installation diagram of an aluminum sliding glass door, prepared by Fenestration Testing Laboratory, Inc., Test Reports No.: **FTL-5980, FTL-5993, FTL-6036, FTL-6001, FTL-6014, FTL-6015, FTL-6017, FTL-6023, FTL-6024, FTL-6025, FTL-6028, FTL-6031, FTL-6033 and FTL-6036**, all dated 08/10/09 and signed and sealed by Julio Gonzales, P.E. (*Submitted under NOA No. 09-0826.10*)

3. Additional, Reference Fixed window test report **FTL-7897** (cardinal spacer) per TAS 201, 202 & 203-94, issued by Fenestration Testing lab (Test report submitted under file #15-0430.08)

**C. CALCULATIONS**

1. Anchor verification calculations and structural analysis, complying with **FBC-5<sup>th</sup> Edition (2014)**, dated 01/30/15, prepared by manufacturer, signed and sealed by Anthony Lynn Miller, P.E.
2. Glazing complies with **ASTM E1300-04**

**D. QUALITY ASSURANCE**

1. Miami-Dade Department of Regulatory and Economic Resources (RER).

*Ishaq I. Chanda*

---

**Ishaq I. Chanda, P.E.**  
**Product Control Unit Supervisor**  
**NOA No. 20-0429.09**  
**Expiration Date: February 17, 2025**  
**Approval Date: October 15, 2020**

PGT Industries, Inc.NOTICE OF ACCEPTANCE: EVIDENCE SUBMITTED**E. MATERIAL CERTIFICATIONS**

1. Notice of Acceptance No. **14-0916.10** issued to **Kuraray America, Inc.** for their “**Butacite® PVB Glass Interlayer**” dated 04/25/15, expiring on 12/11/16.
2. Notice of Acceptance No. **14-0916.11** issued to **Kuraray America, Inc.** for their “**SentryGlas® (Clear and White) Glass Interlayers**” dated 06/25/15, expiring on 07/04/18.

**F. STATEMENTS**

1. Statement letter of conformance, complying with **FBC-5<sup>th</sup> Edition (2014)**, dated October 8, 2015, issued by manufacturer, signed and sealed by Anthony Lynn Miller, P.E.

**G. OTHERS**

1. Notice of Acceptance No. **14-0128.11**, issued to PGT Industries, Inc. for their Series “**SGD-770**” Aluminum Sliding Glass Doors w/90° & 135° corners - L.M.I. expiring on 02/17/20.

**2. Evidence submitted under previous approvals under file #16-2609.06****A. DRAWINGS**

1. Drawing No. **PGT0130**, titled “**Series 770 Alum. SGD – LM Impact**”, sheets 1 through 22 of 22, dated 10/10/14, with revision B dated 05/05/16, prepared by manufacturer, signed and sealed by Anthony Lynn Miller, P.E.

**B. TESTS**

1. Reference Test report on 1) Uniform Static Air Pressure Test, per FBC, TAS 202-94  
2) Large Missile Impact Test per FBC, TAS 201-94  
3) Cyclic Wind Pressure Loading per FBC, TAS 203-94

Along with marked-up drawings and installation diagram of Aluminum Sliding Glass Doors (w/ PS, Super, Cardinal & Duraseal Spacers), prepared by Fenestration Testing Laboratory, Inc., Test Reports No(s) **FTL-8717**, **FTL-8970** and **FTL-8968**, dated 02/15/16, 06/07/16 and 06/20/16, all signed & sealed by Idalmis Ortega, P.E.

**C. CALCULATIONS (Submitted under previous NOA)**

1. None.

**D. QUALITY ASSURANCE**

1. Miami-Dade Department of Regulatory and Economic Resources (RER).

**E. MATERIAL CERTIFICATIONS**

1. None.

**F. STATEMENTS**

1. Statement letter of conformance, complying with **FBC-5<sup>th</sup> Edition (2014)**, dated October 8, 2015, issued by manufacturer, signed and sealed by Anthony Lynn Miller, P.E.
2. Test proposal No. **16-0152** dated 03/09/16 approved by RER.

**G. OTHERS**

1. Notice of Acceptance No. **15-1013.15**, issued to PGT Industries, Inc. for their Series “**SGD-770**” Aluminum Sliding Glass Doors w/90° & 135° corners - L.M.I., expiring on 02/17/20.

*Ishaq I. Chanda*

---

**Ishaq I. Chanda, P.E.**  
**Product Control Unit Supervisor**  
**NOA No. 20-0429.09**  
**Expiration Date: February 17, 2025**  
**Approval Date: October 15, 2020**

PGT Industries, Inc.NOTICE OF ACCEPTANCE: EVIDENCE SUBMITTED**3. Evidence submitted under previous approvals under file #17-0420.12****A. DRAWINGS**

1. Drawing No. **PGT0130**, titled "Series 770 Alum. SGD – LM Impact", sheets 1 through 22 of 22, dated 10/10/14, with revision C dated 04/05/17, prepared by manufacturer, signed and sealed by Anthony Lynn Miller, P.E.

**B. TESTS**

1. None.

**C. CALCULATIONS**

1. Anchor verification calculations and structural analysis, complying with **FBC-6<sup>th</sup> Edition (2017)**, dated 04/18/17 and revised on 08/10/17, prepared by manufacturer, signed and sealed by Anthony Lynn Miller, P.E.
2. Glazing complies with ASTM E1300-09

**D. QUALITY ASSURANCE**

1. Miami-Dade Department of Regulatory and Economic Resources (RER).

**E. MATERIAL CERTIFICATIONS**

1. Notice of Acceptance No. **16-1117.01** issued to **Kuraray America, Inc.** for their "**Trosifol® Ultraclear, Clear and Color PVB Glass Interlayers**" dated 01/19/17, expiring on 07/08/19.

**F. STATEMENTS**

1. Statement letter of conformance with **FBC-6<sup>th</sup> Edition (2017)**, dated 08/10/17, issued by manufacturer, signed and sealed by Anthony Lynn Miller, P.E.

**G. OTHERS**

1. Notice of Acceptance No. **16-0629.06**, issued to PGT Industries, Inc. for their Series "SGD-770" Aluminum Sliding Glass Doors w/90° & 135° corners - L.M.I., expiring on 02/17/20.

**4. Evidence submitted under previous approval.****A. DRAWINGS**

1. Drawing No. **PGT0128 Rev C**, titled "Series 670 Alum SGD-Non-Impact", sheets 1 through 22 of 22, prepared by manufacturer, dated 02-02-14 and last revised on 11/22/19, signed and sealed by Lynn Miller, P.E.

**C. CALCULATIONS (submitted under file #17-0420.12)**

1. None

**D. QUALITY ASSURANCE**

1. Miami Dade Department of Regulatory and Economic Resources (RER).

**E. MATERIAL CERTIFICATIONS**

1. Notice of Acceptance No. **19-0305.02** issued to **Kuraray America, Inc.** for their "**Trosifol® Ultraclear, Clear and Color PVB Glass Interlayers**", expiring on 07/08/24.
2. Notice of Acceptance No. **17-0808.02** issued to **Kuraray America, Inc.** for their "**SentryGlas® (Clear and White) Glass Interlayers**", expiring on 07/04/23.

**F. STATEMENTS**

1. Statement letter of conformance to FBC 2017 (6<sup>th</sup> Edition) and letter of no financial interest, prepared by PGT, dated 11/22/19, signed and sealed by Lynn Miller, P.E.

**G. OTHER**

1. This NOA **renews NOA # 17-0420.12**, expiring April 07, 2025.

*Ishaq I. Chanda*

**Ishaq I. Chanda, P.E.**  
**Product Control Unit Supervisor**  
**NOA No. 20-0429.09**  
**Expiration Date: February 17, 2025**  
**Approval Date: October 15, 2020**

PGT Industries, Inc.NOTICE OF ACCEPTANCE: EVIDENCE SUBMITTED**5. New Evidence submitted****A. DRAWINGS**

1. Drawing No. **PGT0130 Rev D**, titled "Series 770 Alum. SGD - LM Impact", sheets 1 through 22 of 22, dated 10/10/14 and last revised on 04/22/20, prepared by manufacturer, signed and sealed by Anthony Lynn Miller, P.E.

**B. TESTS**

1. Test reports on:
  - 1) Air Infiltration Test, per FBC, TAS 202-94
  - 2) Uniform Static Air Pressure Test, Loading per FBC, TAS 202-94
  - 3) Water Resistance Test, per FBC, TAS 202-94
  - 4) Large Missile Impact Test per FBC, TAS 201-94
  - 5) Cyclic Wind Pressure Loading per FBC, TAS 203-94

along with marked-up drawings and installation diagram of all PGT Industries, Inc. representative units listed below and tested to qualify **Dowsil 791** and **Dowsil 983** silicones, prepared by Fenestration Testing Laboratory, Inc., Test Reports No.:

**FTL-7897**, PGT PW5520 PVC Fixed Window (unit 6 in proposal), dated 09/03/14

**FTL-20-2107.1**, PGT SGD780 Aluminum Sliding Glass Door (unit 7 in proposal) **FTL-20-2107.2**,

PGT CA740 Alum. Outswing Casement Window (unit 8 in proposal) **FTL-20-2107.3**, PGT

PW7620A Aluminum Fixed Window (unit 9 in proposal) and **FTL-20-2107.4**, PGT PW7620A

Aluminum Fixed Window (unit 10 in proposal) dated 07/13/20, all signed and sealed by Idalmis Ortega, P.E.

**C. CALCULATIONS**

1. Anchor verification calculations and structural analysis, complying with **FBC 7<sup>th</sup> Edition (2020)**, dated 03/26/20, prepared by manufacturer, signed and sealed by Anthony Lynn Miller, P.E.
2. Glazing complies with **ASTM E1300-04, -09, -12 and -16**.

**D. QUALITY ASSURANCE**

1. Miami Dade Department of Regulatory and Economic Resources (RER).

**E. MATERIAL CERTIFICATIONS**

1. Notice of Acceptance No. **19-0305.02** issued to **Kuraray America, Inc.** for their "**Trosifol® Ultraclear, Clear and Color PVB Glass Interlayers**", expiring on 07/08/24.
2. Notice of Acceptance No. **17-0808.02** issued to **Kuraray America, Inc.** for their "**SentryGlas® (Clear and White) Glass Interlayers**", expiring on 07/04/23.

**F. STATEMENTS**

1. Statement letters of conformance to FBC 2020(**7<sup>th</sup>** Edition), dated 03/26/20, prepared, signed & sealed by Lynn Miller, P. E.

**G. OTHER**

1. This NOA revises NOA #**19-1126.03**, expiring 02/17/25.

*Ishaq I. Chanda*

---

**Ishaq I. Chanda, P.E.**  
**Product Control Unit Supervisor**  
**NOA No. 20-0429.09**  
**Expiration Date: February 17, 2025**  
**Approval Date: October 15, 2020**



# SERIES 770, IMPACT RESISTANT SLIDING GLASS DOOR INCLUDING POCKETS & 90°/135° CORNERS

**GENERAL NOTES**

- 1) GLAZING TYPE OPTIONS: SEE TABLE B, THIS SHEET & GLAZING DETAILS ON SHEETS 4 & 5.
- 2) DESIGN PRESSURES:
  - A. NEGATIVE DESIGN LOADS BASED ON TESTED PRESSURE AND GLASS TABLES ASTM E1300.
  - B. POSITIVE DESIGN LOADS BASED ON WATER TEST PRESSURE AND GLASS TABLES ASTM E1300.
  - C. DESIGN LOADS ARE BASED ON ALLOWABLE STRESS DESIGN, ASD.
- 3) ANCHORAGE: THE 33-1/3% STRESS INCREASE HAS NOT BEEN USED IN THE DESIGN OF THIS PRODUCT. MATERIALS, INCLUDING BUT NOT LIMITED TO STEEL SCREWS, THAT COME INTO CONTACT WITH OTHER DISSIMILAR MATERIALS SHALL MEET THE REQUIREMENTS OF THE CURRENT FLORIDA BUILDING CODE. FOR ANCHORAGE DETAILS SEE SHEETS 6-14.
- 4) SHUTTERS ARE NOT REQUIRED PER FBC REQUIREMENTS, AS APPLICABLE.
- 5) INSTALLATION SCREWS, FRAME SPLICES, FRAME AND PANEL CORNERS TO BE SEALED WITH NARROW JOINT SEALANT. OVERALL SEALING/FLASHING STRATEGY FOR WATER RESISTANCE OF INSTALLATION SHALL BE DONE BY OTHERS AND IS BEYOND THE SCOPE OF THESE INSTRUCTIONS.
- 6) REFERENCES: ELCO ULTRACON, DEWALT ULTRACON+, DEWALT/ELCO CRETEFLEX AND AGGREGATOR NOA'S, ANSI/AF&PA NDS FOR WOOD CONSTRUCTION AND ADM, ALUMINUM DESIGN MANUAL.
- 7) THIS PRODUCT HAS BEEN DESIGNED & TESTED TO COMPLY WITH THE REQUIREMENTS OF THE CURRENT FLORIDA BUILDING CODE, INCLUDING THE HIGH VELOCITY HURRICANE ZONE (HVHZ).
- 8) DOOR SIZES MUST BE VERIFIED FOR COMPLIANCE WITH EGRESS REQUIREMENTS PER CURRENT FLORIDA BUILDING CODE, AS APPLICABLE.
- 9) TEST REPORTS: FTL-5980, FTL-5993, FTL-6001, FTL-6014, FTL-6015, FTL-6017, FTL-6022, FTL-6023, FTL-6024, FTL-6025, FTL-6028, FTL-6031, FTL-6033, FTL-6036 AND FTL-7554

TABLE B, SEE DETAILS ON SHEETS 4 & 5

Glass Type	Description (Listed from Exterior to Interior)
G3	7/16" Laminated: (2) Lites of 3/16" HS Glass with .090" PVB Interlayer
G3A	9/16" Laminated: (2) Lites of 1/4" HS Glass with .090" PVB Interlayer
G4	7/16" Laminated: (2) Lites of 3/16" HS Glass with .090" SG Interlayer
G4A	9/16" Laminated: (2) Lites of 1/4" HS Glass with .090" SG Interlayer
G5	1" Laminated I.G.: 3/16" T Exterior Cap + 3/8" Air Space + 7/16" Laminated; (2) Lites of 3/16" HS Glass with .090" PVB Interlayer
G5A	1" Laminated I.G.: 1/4" T Exterior Cap + 5/16" Air Space + 7/16" Laminated; (2) Lites of 3/16" HS Glass with .090" PVB Interlayer
G6	1" Laminated I.G.: 3/16" T Exterior Cap + 3/8" Air Space + 7/16" Laminated; (2) Lites of 3/16" HS Glass with .090" SG Interlayer
G6A	1" Laminated I.G.: 1/4" T Exterior Cap + 5/16" Air Space + 7/16" Laminated; (2) Lites of 3/16" HS Glass with .090" SG Interlayer
G7	7/16" Laminated: (2) Lites of 3/16" ANN Glass with .090" SG Interlayer
G7A	9/16" Laminated: (2) Lites of 1/4" ANN Glass with .090" SG Interlayer
G8	1" Laminated I.G.: 3/16" T Exterior Cap + 3/8" Air Space + 7/16" Laminated; (2) Lites of 3/16" ANN Glass with .090" SG Interlayer
G8A	1" Laminated I.G.: 1/4" T Exterior Cap + 5/16" Air Space + 7/16" Laminated; (2) Lites of 3/16" ANN Glass with .090" SG Interlayer

"ANN" = ANNEALED  
 "HS" = HEAT STRENGTHENED  
 "T" = TEMPERED  
 "PVB" = .090" TROSIFOL® PVB BY KURARAY AMERICA, INC.  
 "SG" = .090" SENTRYGLAS® BY KURARAY AMERICA, INC.

DESIGN PRESSURE RATING	IMPACT RATING
SEE TABLES 1, 2 & 3 ON SHEETS 6, 7 & 8	RATED FOR LARGE & SMALL MISSILE IMPACT RESISTANCE

**CODES / STANDARDS USED:**

- 2020 FLORIDA BUILDING CODE (FBC), 7TH EDITION
- 2017 FLORIDA BUILDING CODE (FBC), 6TH EDITION
- ASTM E1300-09
- ANSI/AF&PA NDS-2018 FOR WOOD CONSTRUCTION
- ALUMINUM DESIGN MANUAL, ADM-2015
- AISI S100-16
- AISC 360-16

**GENERAL NOTES..... 1**  
**EXAMPLE CONFIGS..... 2-3**  
**GLAZING DETAILS..... 4,5**  
**ANCHORAGE..... 6-14**  
**DESIGN PRESSURES..... 6-8**  
**INSTALL DETAILS..... 12-14**  
**ELEVATIONS..... 15,16**  
**PANEL / SILL TYPES..... 17**  
**CROSS SECTIONS..... 18,19**  
**PARTS LIST..... 20**  
**EXTRUSIONS..... 21,22**

1070 TECHNOLOGY DRIVE  
 N. VENICE, FL 34275  
 (941) 480-1600

REGISTRATION #29296



TABLE A:

Anchor Group	Anchor Type	Frame Member	Substrate	Min. Edge Distance	Min. O.C. Distance	Min. Embedment or Metal Thickness
A	#12 18-8 SMS or #12 410 SS SMS (min. of 3 threads beyond metal substrate)	All	Southern Pine (SG = 0.55)	9/16"	7/8"	1-3/8"
			6063-T5 Aluminum	3/8"	9/16"	0.071" (20 Ga)
			A36 Steel	3/8"	9/16"	0.050"
			Gr. 33 Steel Stud	3/8"	9/16"	0.045" (18 Ga)
	1/4" DeWalt/Elco Aggre-Gator®	All	Concrete (min. 2.22 ksi)	1-1/2"	3"	1-3/8"
			Filled Block (ASTM C90)	2"	3"	2"
B	#12 Steel SMS (Gr. 5) (min. of 3 threads beyond metal substrate)	All	Southern Pine (SG = 0.55)	9/16"	7/8"	1-3/8"
			6063-T5 Aluminum	3/8"	9/16"	0.071" (20 Ga)
			A36 Steel	3/8"	9/16"	0.050"
			Gr. 33 Steel Stud	3/8"	9/16"	0.045" (18 Ga)
	1/4" Elco UltraCon®	All	Concrete (min. 2.85 ksi)	1"	4"	1-3/8"
			Hollow Block (ASTM C90)	1"	6"	1-1/4"
C	1/4" DeWalt UltraCon® +	All	Concrete (min. 3 ksi)	1-5/16"	4"	1-3/8"
			Concrete (min. 3 ksi)	1"	4"	1-3/8"
			Hollow Block (ASTM C90)	1"	3"	1-1/4"
			Southern Pine (SG = 0.55)	1"	1"	1-3/8"
	1/4" Elco UltraCon®	All	Concrete (min. 2.85 ksi)	2-1/2"	4"	1-3/8"
			Filled Block (ASTM C90)	2-1/2"	4"	1-3/4"
D	1/4" 410 SS DeWalt/Elco CreteFlex®	All	Hollow Block (ASTM C90)	2-1/2"	6"	1-1/4"
			Concrete (min. 3.35 ksi)	1"	4"	1-3/4"
			Concrete (min. 3.35 ksi)	1"	6"	1-3/4"
			Hollow Block (ASTM C90)	2-1/2"	6"	1-1/4"
	1/4" Elco UltraCon®	All	Concrete (min. 2.85 ksi)	1"	1"	1-3/8"
			Southern Pine (SG = 0.55)	1"	1"	1-3/8"

- 1) WHERE SUBSTRATE CONDITIONS REQUIRE ANCHORAGE FROM MORE THAN ONE OF THE ANCHOR GROUPS ABOVE, CHOOSE THE ANCHOR GROUP OF THE LOWEST LETTER FOR ALL TABLES IN THIS APPROVAL.
- 2) ALL ANCHOR HEAD TYPES ARE APPLICABLE.
- 3) FOR THE MINIMUM STRENGTHS OF ANCHORS AND SUBSTRATES, SEE TABLE 5, SHEET 20.
- 4) HOLLOW BLOCK VALUES MAY ALSO BE USED IN FILLED BLOCK APPLICATIONS.
- 5) ANCHORS MUST BE OF SUFFICIENT LENGTH SO THAT A MINIMUM OF 3 THREADS EXTEND BEYOND METAL SUBSTRATE.

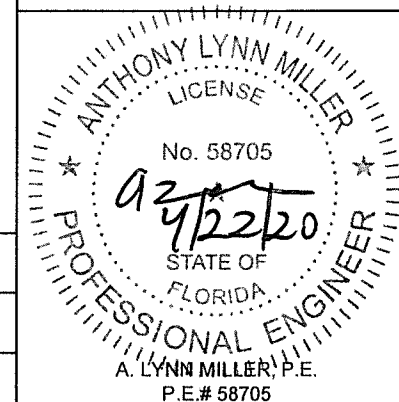
**OFFICIAL DOCUMENTS**

**ANCHOR NOTES**

- 1) FOR CONCRETE/CMU SUBSTRATE APPLICATIONS IN MIAMI-DADE COUNTY USE ONLY MIAMI-DADE COUNTY APPROVED ANCHORS. SEE TABLE A ON THIS SHEET FOR EMBEDMENT, EDGE DISTANCE AND SUBSTRATE REQUIREMENTS.
- 2) FOR OTHER SUBSTRATE APPLICATIONS SEE TABLE A, THIS SHEET.
- 3) WOOD BUCKS DEPICTED AS 1X ARE LESS THAN 1-1/2" THICK. PROPERLY SECURED, 1X WOOD BUCKS ARE OPTIONAL IF UNIT IS INSTALLED DIRECTLY TO SOLID CONCRETE. WOOD BUCKS DEPICTED AS 2X ARE 1-1/2" THICK OR GREATER. 1X AND 2X BUCKS (WHEN USED) SHALL BE DESIGNED TO PROPERLY TRANSFER LOADS TO THE STRUCTURE. BUCK DESIGN AND INSTALLATION IS THE RESPONSIBILITY OF THE ENGINEER OR ARCHITECT OF RECORD & TO BE REVIEWED BY THE BUILDING OFFICIAL.
- 4) METAL SUBSTRATE TO MEET MIN. STRENGTH AND THICKNESS REQUIREMENTS PER CURRENT FLORIDA BUILDING CODE AND TO BE REVIEWED BY THE AUTHORITY HAVING JURISDICTION.
- 5) IF SILL IS TIGHT TO SUBSTRATE, GROUT OR OTHER MATERIAL IS NOT REQUIRED. IF USED, NON-SHRINK, NON-METALLIC GROUT, MAX. 1/4" THICK & 3400 PSI MIN., (DONE BY OTHERS) MUST FULLY SUPPORT THE ENTIRE LENGTH OF THE SILL THAT IS NOT TIGHT TO THE SUBSTRATE, AND TRANSFER SHEAR LOAD TO SUBSTRATE. IF SUBSTRATE IS WOOD, 30# FELT PAPER OR MASTIC IS REQUIRED BETWEEN THE GROUT AND WOOD SUBSTRATE, OR AS APPROVED BY THE AUTHORITY HAVING JURISDICTION.

Per Sarasota County Ordinance, approved plans must be on-site at time of inspection.  
**Sarasota County Planning & Development Services**

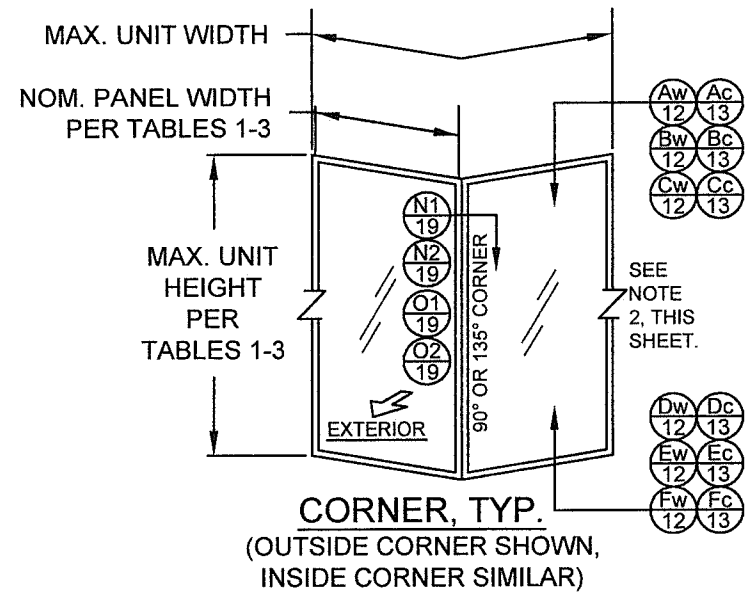
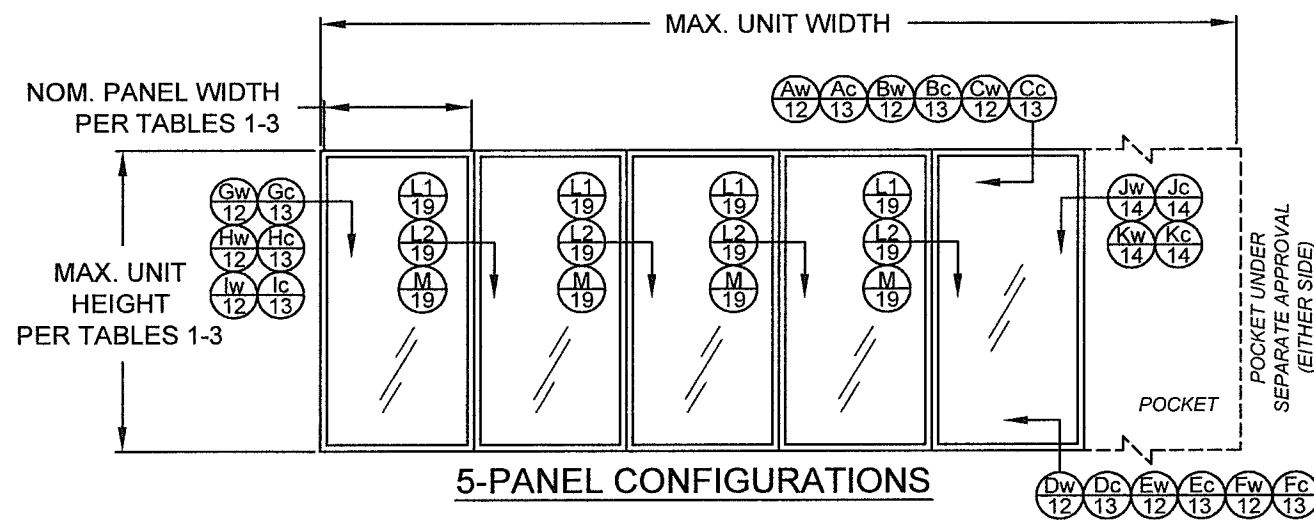
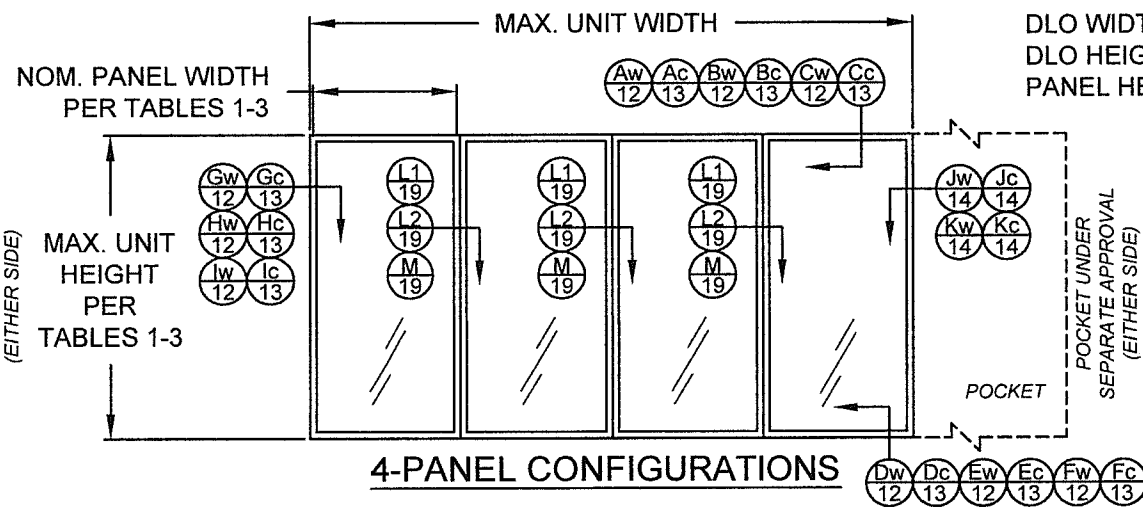
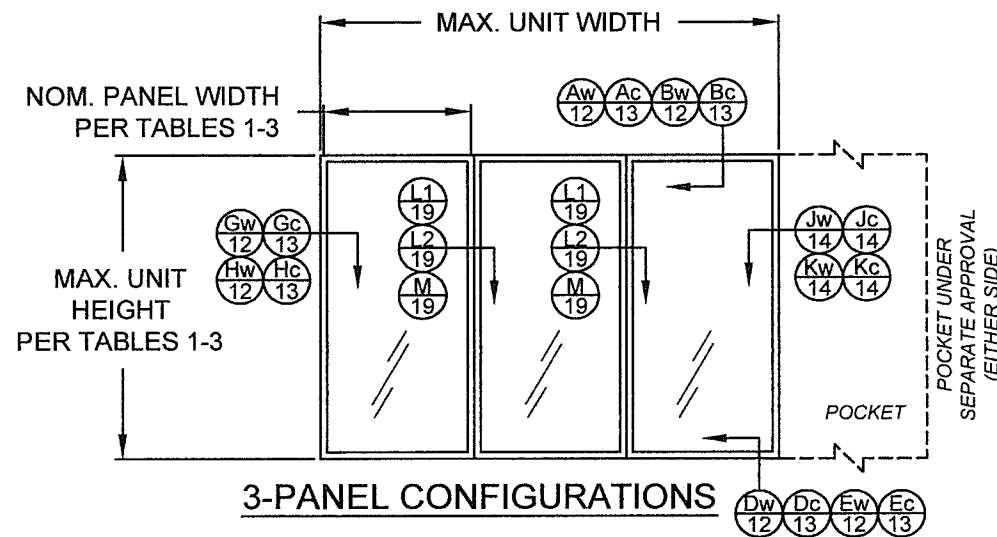
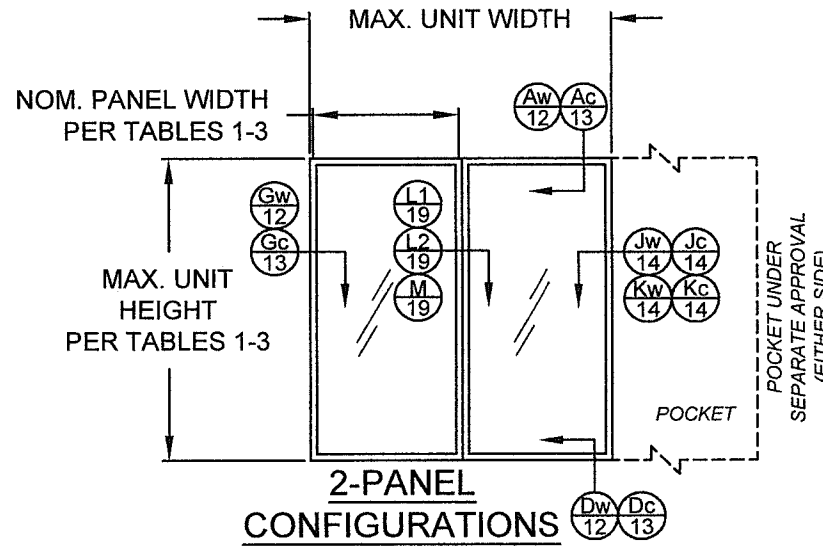
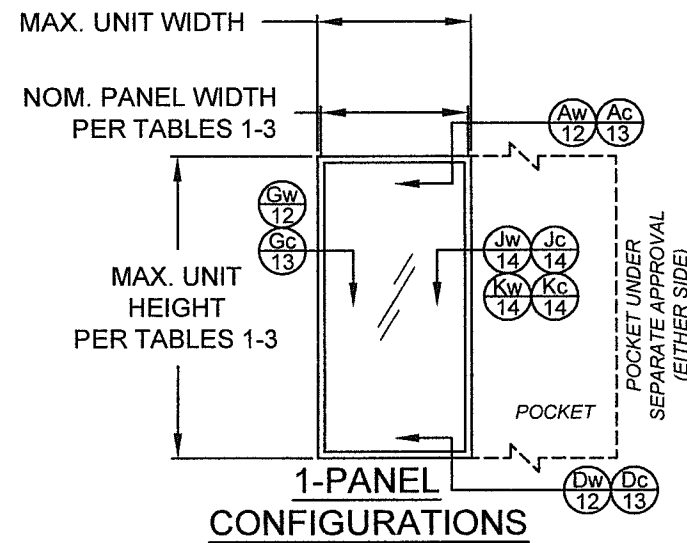
**PRODUCT REVISED**  
 as complying with the Florida Building Code  
**NOA-No. 20-0429.09**  
**Expiration Date: 02/17/2025**  
 By: Isaac L. Chan  
**Miami-Dade Product Control**



Revised By: JR	Date: 03/26/20	Revisions: D	UPDATED TO FBC 2020, ANCHOR TYPE TABLE.
Drawn By: JR	Date: 10/10/14	Checked By:	Date:

Description: <b>GENERAL NOTES AND MAP</b>			
Title: <b>SERIES 770 ALUM. SGD - LM IMPACT</b>			
Series/Model: SGD-770	Scale: NTS	Sheet: 1 of 22	Drawing No. PGT0130
Rev: D			

# EXAMPLE CONFIGURATIONS



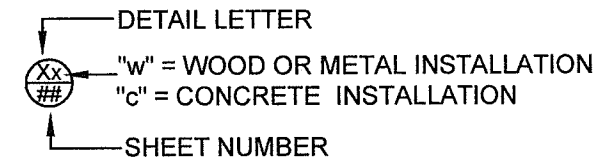
### CONFIGURATIONS NOTES:

1) ALL CONFIGURATIONS SHOWN ARE ALSO AVAILABLE AS POCKET CONFIGURATIONS AT EITHER OR BOTH JAMB LOCATIONS USING DETAIL "Jw", "Jc", "Kw" OR "Kc" INSTALLATION. EXAMPLE: 4-PANEL XXXX IN POCKET (p) CONFIGURATION CAN BE pXXXXp, pXXXX OR XXXXp. OXXX IN POCKET CONFIGURATION CAN BE OXXXp.

2) 90° & 135° CORNER CONFIGURATIONS CAN BE A COMBINATION OF ANY 2 STRAIGHT CONFIGURATIONS.

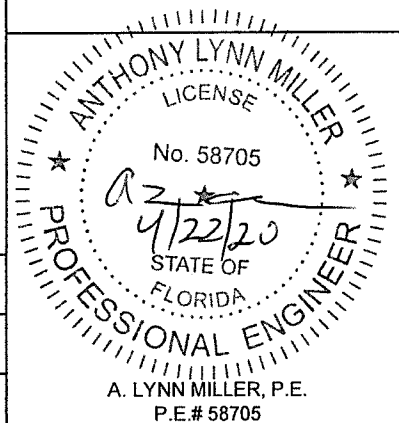
3) FOR NOM. PANEL WIDTH, SEE TABLES 1-3.

"X" = OPERABLE PANEL,  
"O" = INOPERABLE PANEL,  
"p" = POCKET

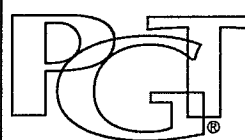


DLO WIDTH = NOM. PANEL WIDTH - 7"  
DLO HEIGHT = DOOR UNIT HEIGHT - 10.125"  
PANEL HEIGHT = DOOR UNIT HEIGHT - 1.866"

**PRODUCT REVISED**  
as complying with the Florida Building Code  
NOA-No. **20-0429.09**  
Expiration Date: **02/17/2025**  
By: Ishay I. Chandra  
Miami-Dade Product Control



1070 TECHNOLOGY DRIVE  
N. VENICE, FL 34275  
(941) 480-1600  
REGISTRATION #29296

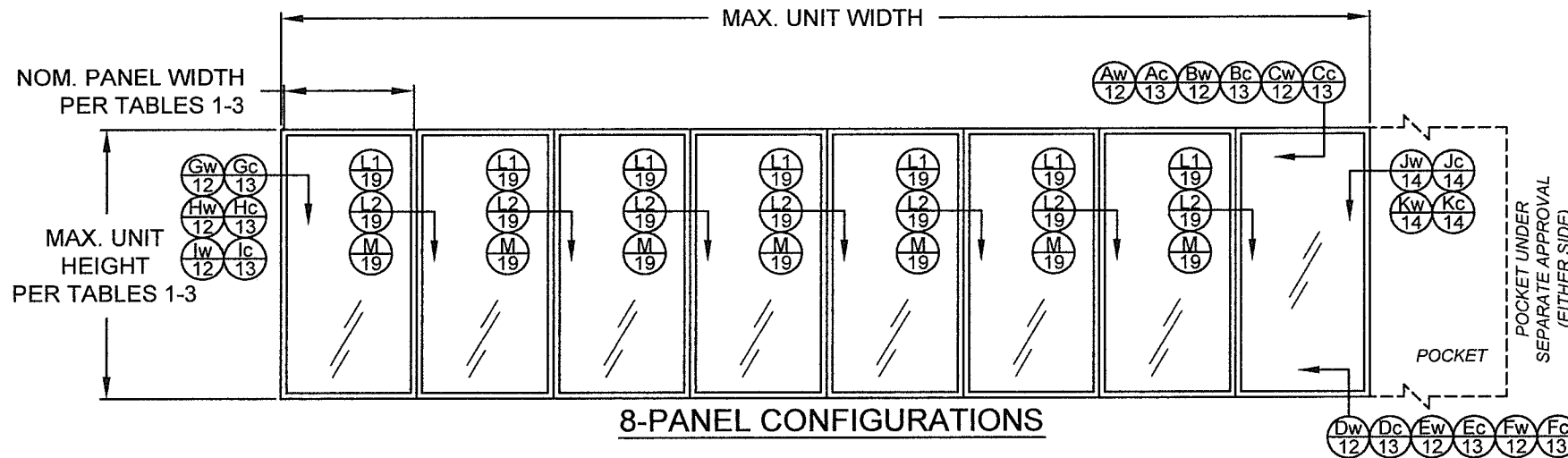
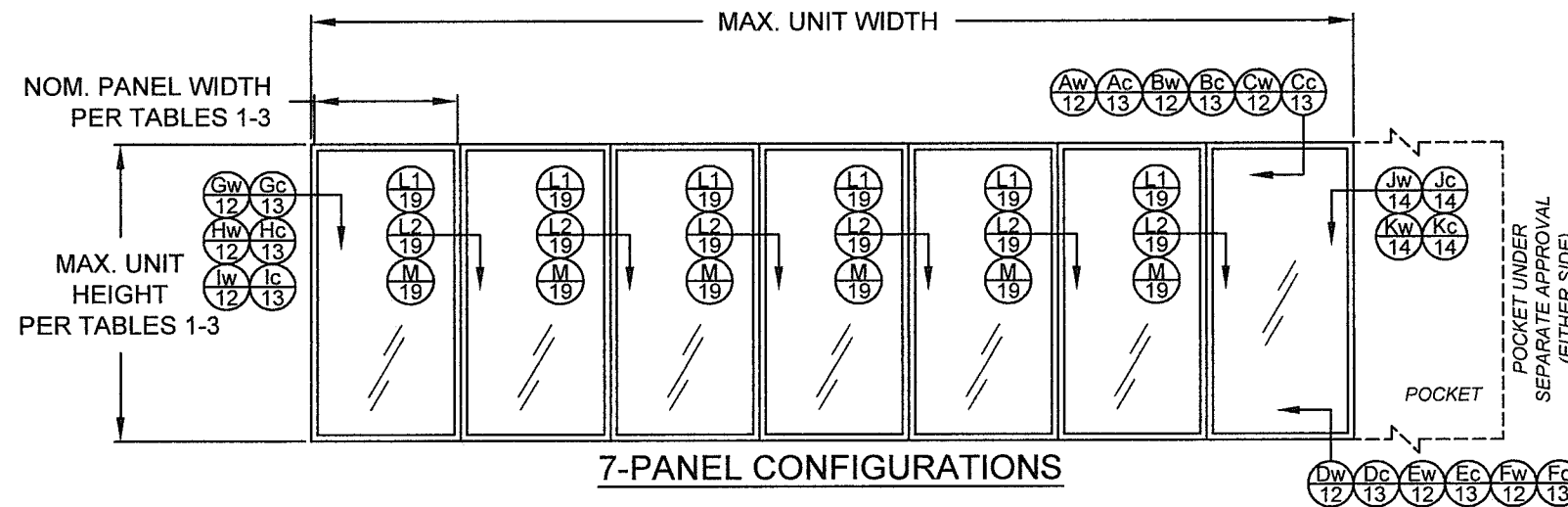
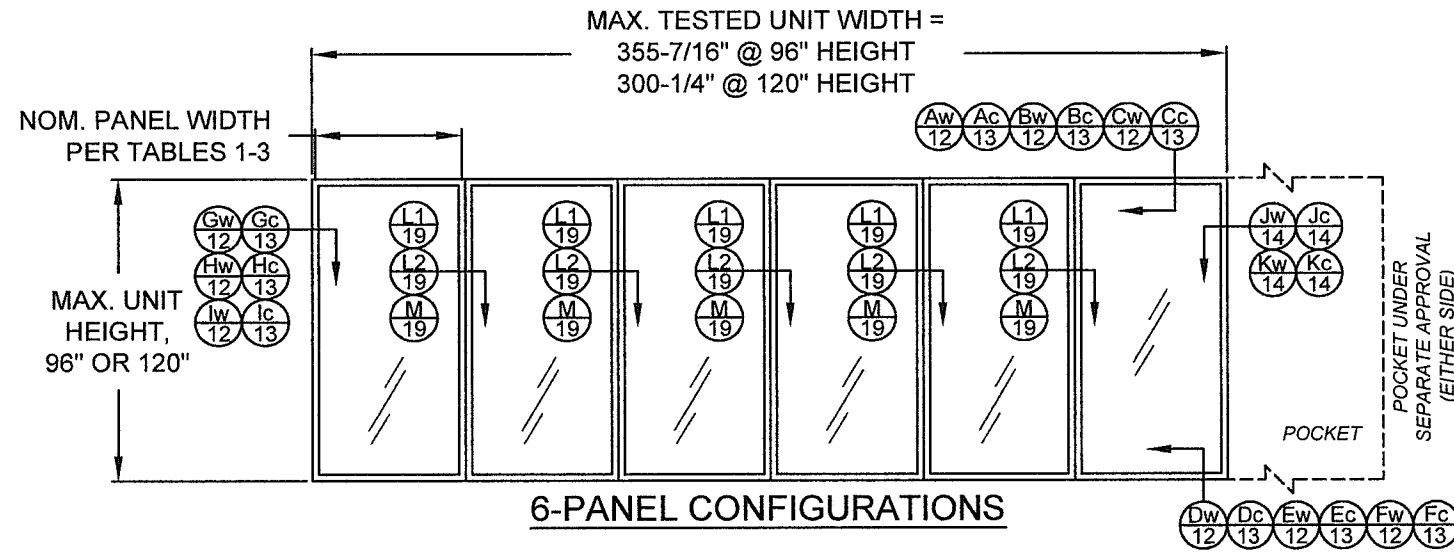


Description: **EXAMPLE CONFIGURATIONS**  
Title: **SERIES 770 ALUM. SGD - LM IMPACT**  
Series/Model: SGD-770  
Scale: NTS  
Sheet: 2 of 22  
Drawing No. PGT0130  
Rev: D

Revsd By: JR	Date: 03/26/20	Revisions: D	NO CHANGES THIS SHEET.
Drawn By: JR	Date: 10/10/14	Checked By:	Date:



# EXAMPLE CONFIGURATIONS



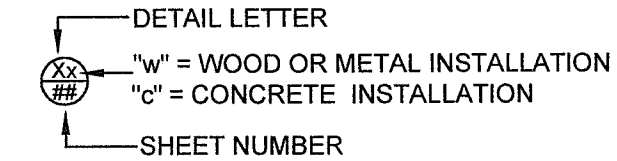
### CONFIGURATIONS NOTES:

1) ALL CONFIGURATIONS SHOWN ARE ALSO AVAILABLE AS POCKET CONFIGURATIONS AT EITHER OR BOTH JAMB LOCATIONS USING DETAIL "Jw", "Jc", "Kw" OR "Kc" INSTALLATION. EXAMPLE: 4-PANEL XXXX IN POCKET (p) CONFIGURATION CAN BE pXXXXp, pXXXX OR XXXXp. OXXX IN POCKET CONFIGURATION CAN BE OXXXp.

2) 90° & 135° CORNER CONFIGURATIONS CAN BE A COMBINATION OF ANY 2 STRAIGHT CONFIGURATIONS.

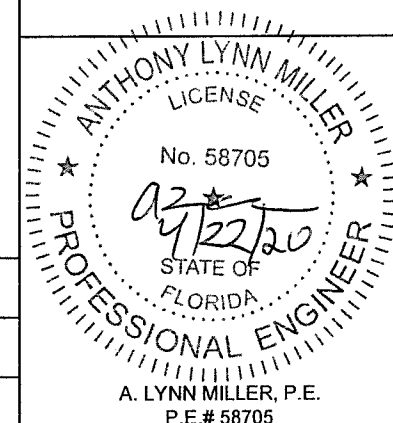
3) FOR NOM. PANEL WIDTH, SEE TABLES 1-3.

"X" = OPERABLE PANEL,  
"O" = INOPERABLE PANEL,  
"p" = POCKET



DLO WIDTH = NOM. PANEL WIDTH - 7"  
DLO HEIGHT = DOOR UNIT HEIGHT - 10.125"  
PANEL HEIGHT = DOOR UNIT HEIGHT - 1.866"

**PRODUCT REVISED**  
as complying with the Florida Building Code  
NOA-No. **20-0429.09**  
Expiration Date: **02/17/2025**  
By: Shay L. Chan  
Miami-Dade Product Control



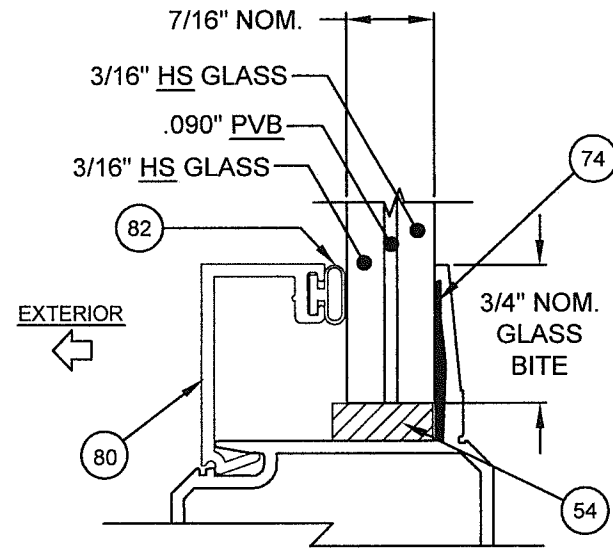
1070 TECHNOLOGY DRIVE  
N. VENICE, FL 34275  
(941) 480-1600  
REGISTRATION #29296



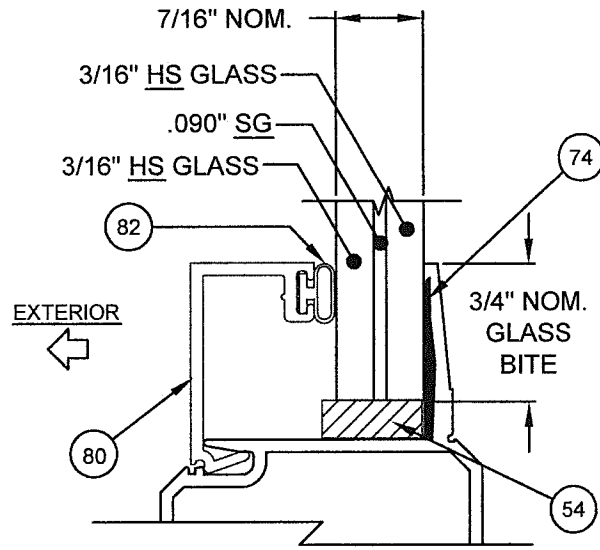
Description: **EXAMPLE CONFIGURATIONS**  
Title: **SERIES 770 ALUM. SGD - LM IMPACT**  
Series/Model: **SGD-770** Scale: **NTS** Sheet: **3 of 22** Drawing No. **PGT0130** Rev: **D**

Revsd By: JR	Date: 03/26/20	Revisions: D	NO CHANGES THIS SHEET.
Drawn By: JR	Date: 10/10/14	Checked By:	Date:

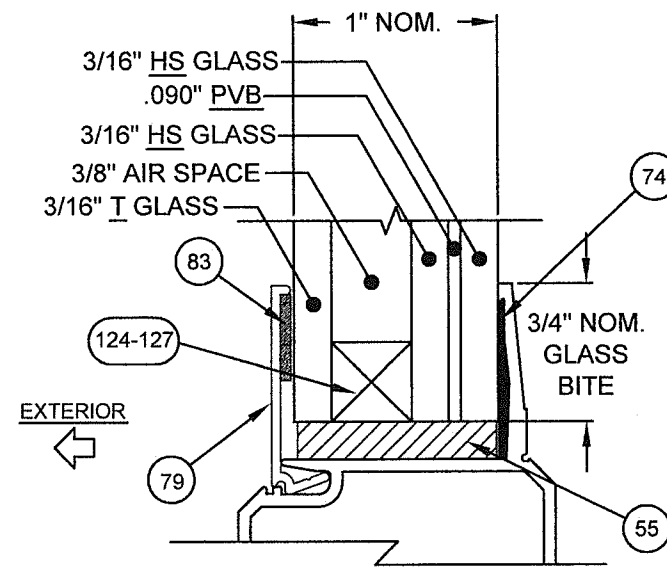
GLAZING DETAILS (G3, G3A, G4, G4A, G5 & G5A)



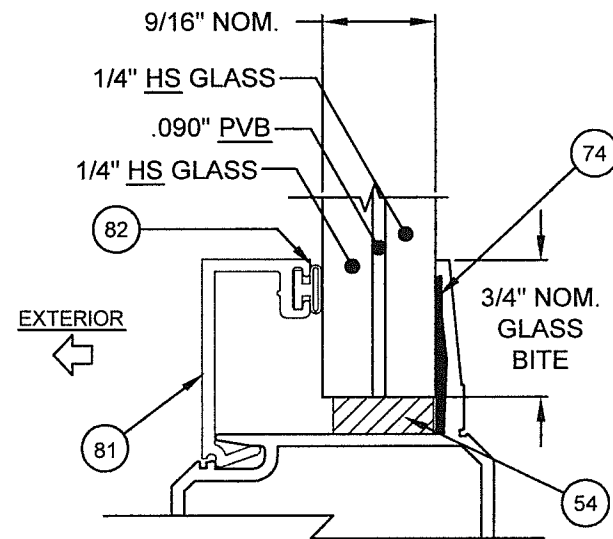
7/16" LAMINATED GLASS, TYPE G3



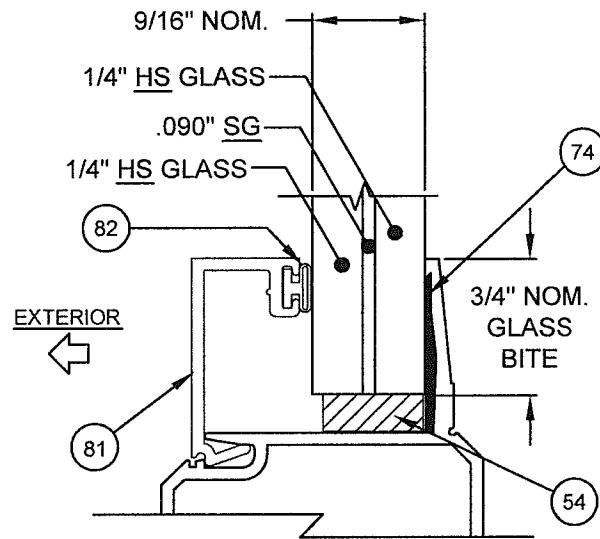
7/16" LAMINATED GLASS, TYPE G4



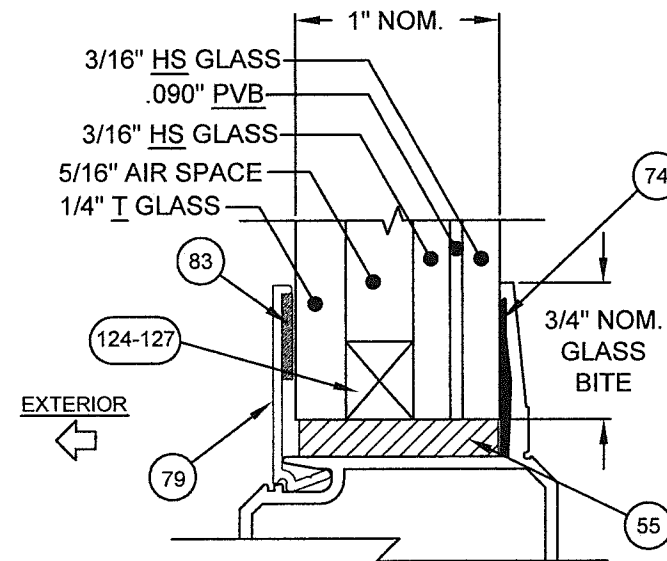
1" LAMINATED I.G. GLASS, TYPE G5



9/16" LAMINATED GLASS, TYPE G3A



9/16" LAMINATED GLASS, TYPE G4A



1" LAMINATED I.G. GLASS, TYPE G5A

GLAZING NOTES:

"ANN" = ANNEALED

"HS" = HEAT STRENGTHENED

"T" = TEMPERED

"PVB" = .090" TROSIFOL® PVB BY KURARAY AMERICA, INC.

"SG" = .090" SENTRYGLAS® BY KURARAY AMERICA, INC.

SEE SHEET 15 FOR SPACER DETAILS.

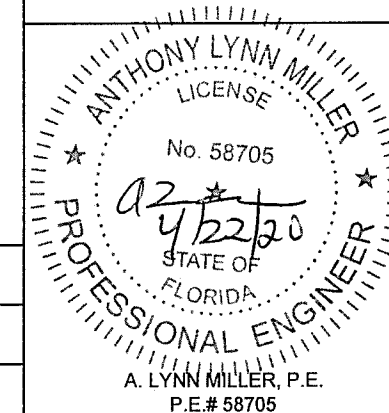
Revised By:	Date:	Revisions:	
JR	03/26/20	D	NO CHANGES THIS SHEET.
Drawn By:	Date:	Checked By:	Date:
JR	10/10/14		

1070 TECHNOLOGY DRIVE  
N. VENICE, FL 34275  
(941) 480-1600  
REGISTRATION #29296

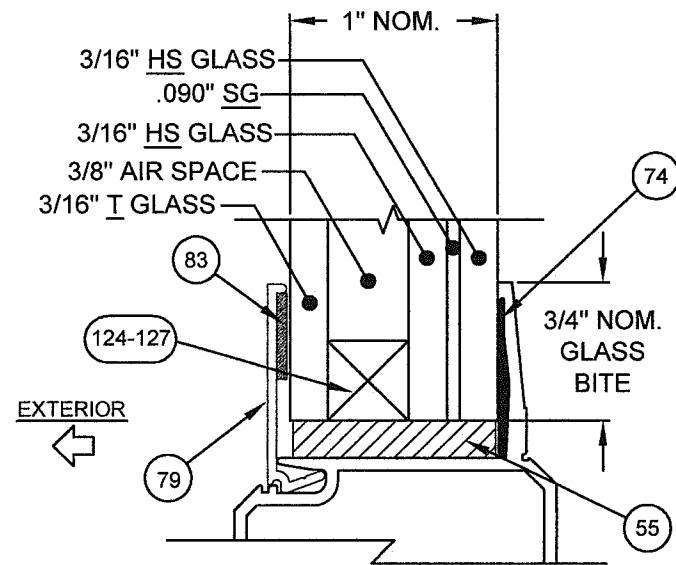


Description:			
GLAZING DETAILS			
Title:			
SERIES 770 ALUM. SGD - LM IMPACT			
Series/Model:	Scale:	Sheet:	Drawing No.
SGD-770	NTS	4 of 22	PGT0130
Rev:			
D			

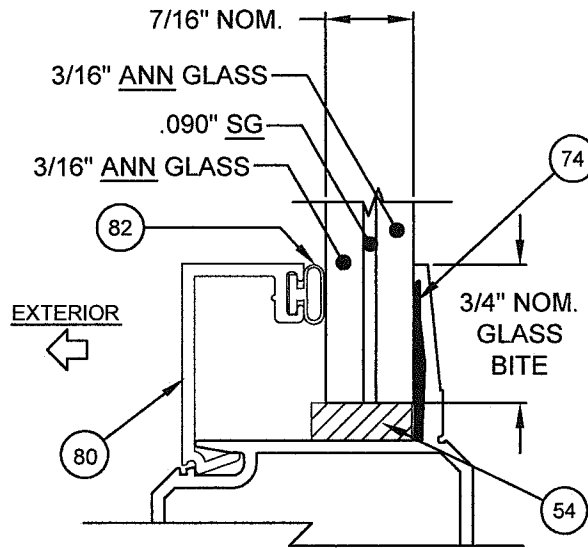
**PRODUCT REVISED**  
as complying with the Florida  
Building Code  
NOA-No. **20-0429.09**  
Expiration Date: **02/17/2025**  
By: Ismael I. Chanda  
Miami-Dade Product Control



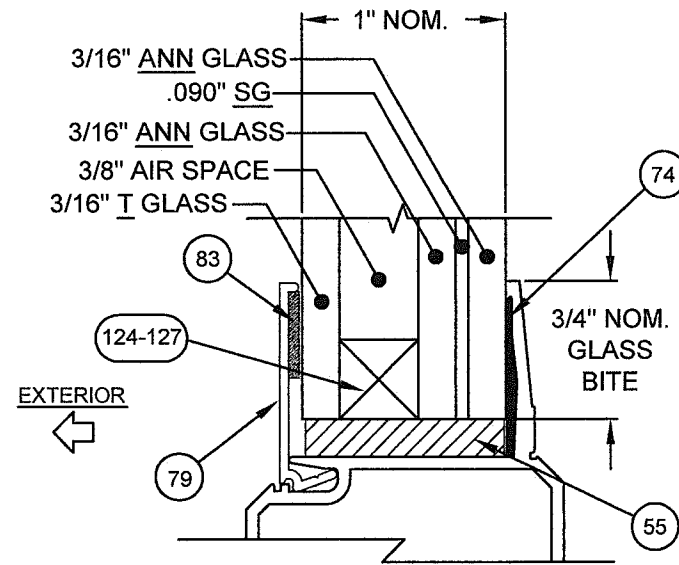
GLAZING DETAILS (G6, G6A, G7, G7A, G8 & G8A)



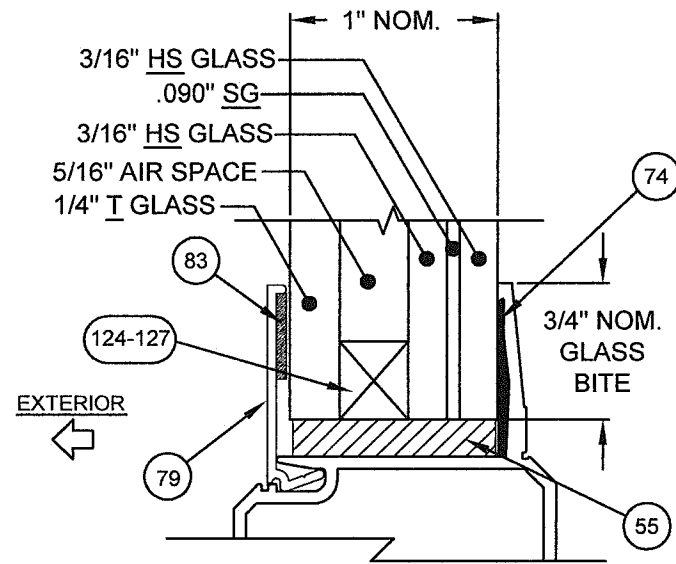
1" LAMINATED I.G. GLASS, TYPE G6



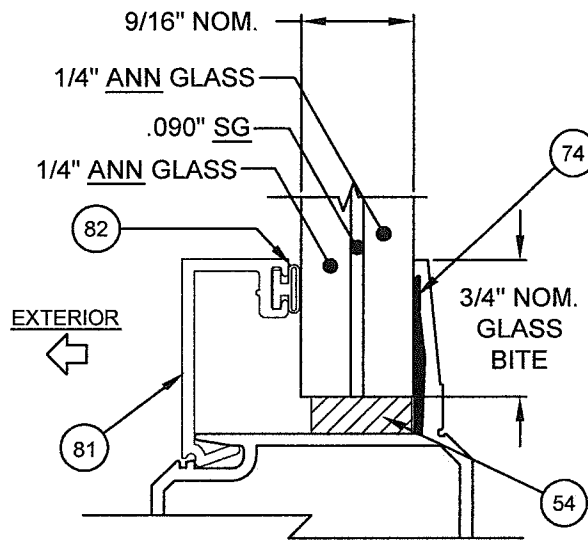
7/16" LAMINATED GLASS, TYPE G7



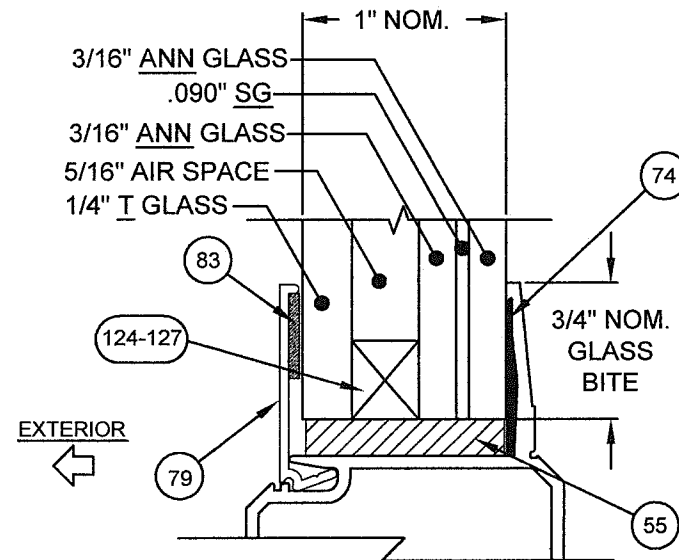
1" LAMINATED I.G. GLASS, TYPE G8



1" LAMINATED I.G. GLASS, TYPE G6A



9/16" LAMINATED GLASS, TYPE G7A



1" LAMINATED I.G. GLASS, TYPE G8A

GLAZING NOTES:

- "ANN" = ANNEALED
- "HS" = HEAT STRENGTHENED
- "T" = TEMPERED
- "PVB" = .090" TROSIFOL® PVB BY KURARAY AMERICA, INC.
- "SG" = .090" SENTRYGLAS® BY KURARAY AMERICA, INC.

SEE SHEET 15 FOR SPACER DETAILS.

Revised By: JR	Date: 03/26/20	Revisions: D	NO CHANGES THIS SHEET.
Drawn By: JR	Date: 10/10/14	Checked By:	Date:

1070 TECHNOLOGY DRIVE  
N. VENICE, FL 34275  
(941) 480-1600  
REGISTRATION #29296



Description: <b>GLAZING DETAILS</b>			
Title: <b>SERIES 770 ALUM. SGD - LM IMPACT</b>			
Series/Model: SGD-770	Scale: NTS	Sheet: 5 of 22	Drawing No.: PGT0130
			Rev: D

**PRODUCT REVISED**  
as complying with the Florida  
Building Code  
NOA-No. **20-0429.09**  
Expiration Date: **02/17/2025**  
By: Shay L. Chan  
Miami-Dade Product Control

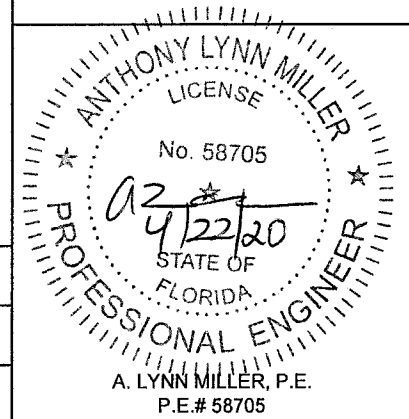




TABLE 1:

Design Pressure (DP) and Anchor Quantities Required, (for all approved configurations on Sheets 2 & 3) For corner astragal anchorage on 90° or 135° corner units, see sheet 11										Maximum DP for all sizes: +60 / -60 psf (May be limited by Table 1A)															
Table applies to Glass Types 3, 3A, 5, 5A, 7, 7A, 8 & 8A and the Stile/Astragal Types shown below.										Door Unit Height															
										80"				84"				90"				96"			
										69-7/8" DLO				73-7/8" DLO				79-7/8" DLO				85-7/8" DLO			
										Anchor Group				Anchor Group				Anchor Group				Anchor Group			
				A	B	C	D	A	B	C	D	A	B	C	D	A	B	C	D						
Nominal Panel Width (in)	24"	17" DLO	Head/Sill	C4+1	C4+1	C4+1	C4+1	C4+1	C4+1	C4+1	C4+1	C4+1	C4+1	C4+1	C4+1	C4+1	C4+1	C4+1	C4+1	C4+1					
			Jamb	8	8	8	8	8	8	8	8	8	8	8	8	8	8	8	8	8	8				
			P-hook	6+7	6+7	6+7	6+7	7+8	7+8	7+8	7+8	7+8	7+8	7+8	7+8	7+8	7+8	7+8	7+8	7+8	7+8				
	30"	23" DLO	Head/Sill	C4+1	C4+1	C4+1	C4+1	C4+1	C4+1	C4+1	C4+1	C4+1	C4+1	C4+1	C4+1	C4+1	C4+1	C4+1	C4+1	C4+1					
			Jamb	8	8	8	8	8	8	8	8	8	8	8	8	8	8	8	8	8	8				
			P-hook	6+7	6+7	6+7	6+7	7+8	7+8	7+8	7+8	7+8	7+8	7+8	7+8	7+8	7+8	7+8	7+8	7+8	7+8				
	36"	29" DLO	Head/Sill	C4+1	C4+1	C4+1	C4+1	C4+1	C4+1	C4+1	C4+1	C4+1	C4+1	C4+1	C4+1	C4+1	C4+1	C4+1	C4+1	C4+1					
			Jamb	8	8	8	8	8	8	8	8	8	8	8	8	8	8	8	8	8	8				
			P-hook	6+7	6+7	6+7	6+7	7+8	7+8	7+8	7+8	7+8	7+8	7+8	7+8	7+8	7+8	7+8	7+8	7+8	7+8				
	42"	35" DLO	Head/Sill	C4+1	C4+1	C4+1	C4+1	C4+1	C4+1	C4+1	C4+1	C4+1	C4+1	C4+1	C4+1	C4+1	C4+1	C4+1	C4+1	C4+1					
			Jamb	8	8	8	8	8	8	8	8	8	8	8	8	8	8	8	8	8	8				
			P-hook	6+7	6+7	6+7	6+7	7+8	7+8	7+8	7+8	7+8	7+8	7+8	7+8	7+8	7+8	7+8	7+8	7+8	7+8				
48"	41" DLO	Head/Sill	C4+2	C4+2	C4+2	C4+2	C4+2	C4+2	C4+2	C4+2	C4+2	C4+2	C4+2	C4+2	C4+2	C4+2	C4+2	C4+2	C4+2						
		Jamb	8	8	8	8	8	8	8	8	8	8	8	8	10	8	8	8	8	8					
		P-hook	6+7	6+7	6+7	6+7	7+8	7+8	7+8	7+8	7+8	7+8	7+8	7+8	7+8	7+8	7+8	7+8	7+8	7+8					

FOR EXAMPLE ON USING TABLE, SEE SHEET 8.

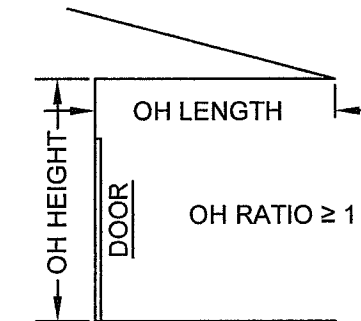
NOTES:

- 1) POSITIVE PRESSURES IN TABLE 1 ARE BASED ON THE USE OF THE 3-1/4" SILL.
- 2) WHEN USING THE 2-1/2" SILL, POSITIVE WATER DP IS 46.67 PSF MAX. WHEN USING THE 3-1/4" SILL, POSITIVE WATER DP IS 60.0 PSF MAX. WHEN USING THE 4" SILL, POSITIVE WATER DP IS 60.0 PSF MAX (NEGATIVE PRESSURES UNCHANGED). SEE TABLE 1A.
- 3) 4", 3-1/4" AND 2-1/2" SILL HEIGHTS ARE TESTED FOR WATER INFILTRATION WHEREAS THE 1-1/2" SILL IS NOT AND MUST ONLY BE USED WHERE WATER RESISTANCE IS NOT REQUIRED. MAX. POSITIVE DESIGN PRESSURES SHOWN IN TABLE 1 MAY BE USED WHEN THE DOOR IS PROTECTED BY AN OVERHANG COMPLYING WITH THE CURRENT FLORIDA BUILDING CODE (SEE ADJACENT DIAGRAM); THIS CONDITION IS NOT RATED FOR WATER INFILTRATION.
- 4) SEE SHEETS 10-14 FOR ANCHORAGE SPACING, EDGE DISTANCE AND EMBEDMENT INFORMATION.
- 5) DOOR SIZE TO COMPLY WITH CURRENT FBC EGRESS REQUIREMENTS WHEN REQUIRED.
- 6) JAMB ANCHORS ARE SPECIFIED AS THE TOTAL QUANTITY, DIVIDE BY 2 FOR PAIRS TO BE INSTALLED.

TABLE 1A:

Sill Height to Max. (+) DP (Water Infiltration Rating)		(+) Design Pressure, psf
Sill Riser Height (Flat or Box, see Sheet 17)		
Flush - 1-1/2"		see note 3
Low - 2-1/2"		+ 46.67
Medium - 3-1/4"		+ 60.0
High - 4"		+ 60.0

SEE NOTES 1-3



$$OH \text{ RATIO} = \frac{OH \text{ LENGTH}}{OH \text{ HEIGHT}}$$

DLO WIDTH =  
NOM. PANEL WIDTH - 7"

DLO HEIGHT =  
DOOR UNIT HEIGHT - 10.125"

PANEL HEIGHT =  
DOOR UNIT HEIGHT - 1.866"

**PRODUCT REVISED**  
as complying with the Florida Building Code  
NOA-No. **20-0429.09**  
Expiration Date: **02/17/2025**  
By: Shay L. Chan  
Miami-Dade Product Control

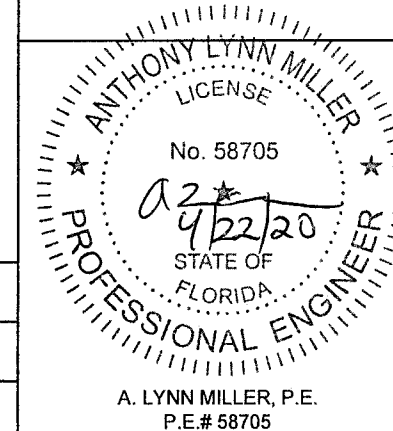
Interlock	P-hook	Lockstile @ Jamb	Straight Astragal Assembly	Lockstile @ Straight Astragal	90° Astragal Assembly	Lockstile @ 90° Astragal	135° Astragal Assembly	Lockstile @ 135° Astragal
Standard Stiles	Standard Stile	Standard Stile	Standard Stile	Standard Stile	Heavy-duty Stile	Heavy-duty Stile	Heavy-duty Stile	Heavy-duty Stile
Part #60 (x2)	Part #60	Part #60	Part #60 (Stile) Part #67 (Astragal)	Part #60	Part #61 (Stile) Part #118 (Corner Receiver)	Part #119 (Out.) Part #120 (In.)	Part #61 (Stile) Parts #31 & #32 (Corn. & Fxd Mount)	Part #61

1070 TECHNOLOGY DRIVE  
N. VENICE, FL 34275  
(941) 480-1600  
REGISTRATION #29296



Description:  
**DP AND ANCHORAGE**  
Title:  
**SERIES 770 ALUM. SGD - LM IMPACT**  
Series/Model: SGD-770 Scale: NTS Sheet: 6 of 22 Drawing No. PGT0130 Rev: D

Revsd By: JR	Date: 03/26/20	Revisions: D	NO CHANGES THIS SHEET.
Drawn By: JR	Date: 10/10/14	Checked By:	Date:



A. LYNN MILLER, P.E.  
P.E.# 58705



TABLE 2:

Table applies to Glass Types 4, 4A, 6, 6A, 7, 7A, 8 & 8A and the Stile/Astragal Types shown below.		Design Pressure (DP) and Anchor Quantities Required, (for all approved configurations on Sheets 2 & 3)																								Maximum DP for all sizes: +60 / -60 (May be limited by Table 2A)									
		For corner astragal anchorage on 90° or 135° corner units, see sheet 11																																	
		Door Unit Height																																	
		80"				84"				90"				96"				102"				108"				114"				120"					
69-7/8" DLO				73-7/8" DLO				79-7/8" DLO				85-7/8" DLO				91-7/8" DLO				97-7/8" DLO				103-7/8" DLO				109-7/8" DLO							
Anchor Group				Anchor Group				Anchor Group				Anchor Group				Anchor Group				Anchor Group				Anchor Group											
A B C D				A B C D				A B C D				A B C D				A B C D				A B C D				A B C D											
Nominal Panel Width	24"	17" DLO	Head/Sill	C4+1	C4+1	C4+1	C4+1	C4+1	C4+1	C4+1	C4+1	C4+1	C4+1	C4+1	C4+1	C4+1	C4+1	C4+1	C4+1	C4+1	C4+1	C4+1	C4+1	C4+1	C4+1	C4+1	C4+1	C4+1	C4+1	C4+1	C4+1	C4+1	C4+1	C4+1	C4+1
			Jamb	8	8	8	8	8	8	8	8	8	8	8	8	8	8	8	8	10	10	10	10	10	10	10	10	10	10	10	10	10	10	10	10
			P-hook	6+7	6+7	6+7	6+7	7+8	7+8	7+8	7+8	7+8	7+8	7+8	7+8	7+8	7+8	7+8	7+8	8+9	8+9	8+9	8+9	8+9	8+9	8+9	8+9	9+10	9+10	9+10	9+10	9+10	9+10	9+10	9+10
	30"	23" DLO	Head/Sill	C4+1	C4+1	C4+1	C4+1	C4+1	C4+1	C4+1	C4+1	C4+1	C4+1	C4+1	C4+1	C4+1	C4+1	C4+1	C4+1	C4+1	C4+1	C4+1	C4+1	C4+1	C4+1	C4+1	C4+1	C4+1	C4+1	C4+1	C4+1	C4+1	C4+1	C4+1	C4+1
			Jamb	8	8	8	8	8	8	8	8	8	8	8	8	8	8	8	8	10	10	10	10	10	10	10	10	10	10	10	10	10	10	10	10
			P-hook	6+7	6+7	6+7	6+7	7+8	7+8	7+8	7+8	7+8	7+8	7+8	7+8	7+8	7+8	7+8	7+8	8+9	8+9	8+9	8+9	8+9	8+9	8+9	8+9	9+10	9+10	9+10	9+10	9+10	9+10	9+10	9+10
	36"	29" DLO	Head/Sill	C4+1	C4+1	C4+1	C4+1	C4+1	C4+1	C4+1	C4+1	C4+1	C4+1	C4+1	C4+1	C4+1	C4+1	C4+1	C4+1	C4+1	C4+1	C4+1	C4+1	C4+1	C4+1	C4+1	C4+1	C4+1	C4+1	C4+1	C4+1	C4+1	C4+1	C4+1	C4+1
			Jamb	8	8	8	8	8	8	8	8	8	8	8	8	8	8	8	8	10	10	10	10	10	10	10	10	10	10	10	10	10	10	10	10
			P-hook	6+7	6+7	6+7	6+7	7+8	7+8	7+8	7+8	7+8	7+8	7+8	7+8	7+8	7+8	7+8	7+8	8+9	8+9	8+9	8+9	8+9	8+9	8+9	8+9	9+10	9+10	9+10	9+10	9+10	9+10	9+10	9+10
	42"	35" DLO	Head/Sill	C4+1	C4+1	C4+1	C4+1	C4+1	C4+1	C4+1	C4+1	C4+1	C4+1	C4+1	C4+1	C4+1	C4+1	C4+1	C4+1	C4+1	C4+1	C4+1	C4+1	C4+1	C4+1	C4+1	C4+1	C4+1	C4+1	C4+1	C4+1	C5+1	C5+1	C4+1	C4+1
			Jamb	8	8	8	8	8	8	8	8	8	8	8	8	8	8	8	8	10	10	10	10	10	10	10	10	10	10	10	10	12	10	10	10
			P-hook	6+7	6+7	6+7	6+7	7+8	7+8	7+8	7+8	7+8	7+8	7+8	7+8	7+8	7+8	7+8	7+8	8+9	8+9	8+9	8+9	8+9	8+9	8+9	8+9	9+10	9+10	9+10	9+10	9+10	9+10	9+10	9+10
	48"	41" DLO	Head/Sill	C4+2	C4+2	C4+2	C4+2	C4+2	C4+2	C4+2	C4+2	C4+2	C4+2	C4+2	C4+2	C4+2	C4+2	C4+2	C4+2	C4+2	C4+2	C4+2	C4+2	C5+2	C5+2	C4+2	C4+2	C5+2	C5+2	C5+2	C5+2	C5+2	C5+2	C5+2	C5+2
			Jamb	8	8	8	8	8	8	8	8	8	8	8	8	10	8	8	8	10	10	10	10	10	10	10	10	12	10	10	10	12	10	10	10
			P-hook	6+7	6+7	6+7	6+7	7+8	7+8	7+8	7+8	7+8	7+8	7+8	7+8	7+8	7+8	7+8	7+8	8+9	8+9	8+9	8+9	8+9	8+9	8+9	8+9	9+10	9+10	9+10	9+10	9+10	9+10	9+10	9+10
	54"	47" DLO	Head/Sill	C4+2	C4+2	C4+2	C4+2	C4+2	C4+2	C4+2	C4+2	C4+2	C4+2	C4+2	C4+2	C4+2	C4+2	C4+2	C4+2	Not available in these sizes															
			Jamb	8	8	8	8	8	8	8	8	10	8	8	8	10	8	8	8	Not available in these sizes															
			P-hook	6+7	6+7	6+7	6+7	7+8	7+8	7+8	7+8	7+8	7+8	7+8	7+8	7+8	7+8	7+8	7+8	Not available in these sizes															
	60"	53" DLO	Head/Sill	C4+2	C4+2	C4+2	C4+2	C4+2	C4+2	C4+2	C4+2	C4+2	C4+2	C4+2	C4+2	C4+2	C4+2	C4+2	C4+2	Not available in these sizes															
			Jamb	8	8	8	8	8	8	8	8	10	8	8	8	10	8	8	8	Not available in these sizes															
			P-hook	6+7	6+7	6+7	6+7	7+8	7+8	7+8	7+8	7+8	7+8	7+8	7+8	7+8	7+8	7+8	7+8	Not available in these sizes															

FOR EXAMPLE ON USING TABLE, SEE SHEET 8.

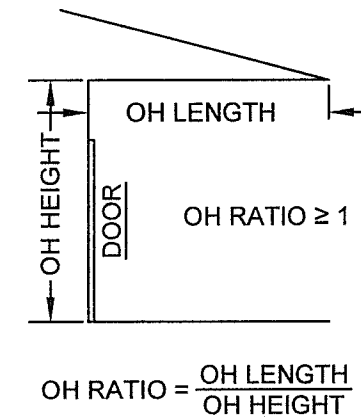
NOTES:

- 1) POSITIVE PRESSURES IN TABLE 2 ARE BASED ON THE USE OF THE 3-1/4" SILL.
- 2) WHEN USING THE 2-1/2" SILL, POSITIVE WATER DP IS 46.67 PSF MAX. WHEN USING THE 3-1/4" SILL, POSITIVE WATER DP IS 60.0 PSF MAX. WHEN USING THE 4" SILL, POSITIVE WATER DP IS 60.0 PSF MAX (NEGATIVE PRES. UNCHANGED). SEE TABLE 2A.
- 3) 4", 3-1/4" AND 2-1/2" SILL HEIGHTS ARE TESTED FOR WATER INFILTRATION WHEREAS THE 1-1/2" SILL IS NOT AND MUST ONLY BE USED WHERE WATER RESISTANCE IS NOT REQUIRED. MAX. POSITIVE DESIGN PRESSURES SHOWN IN TABLE 2 MAY BE USED WHEN THE DOOR IS PROTECTED BY AN OVERHANG COMPLYING WITH THE CURRENT FBC (SEE ADJACENT DIAGRAM); THIS CONDITION IS NOT RATED FOR WATER INFILTRATION.
- 4) SEE SHEETS 10-14 FOR ANCHORAGE SPACING, EDGE DISTANCE AND EMBEDMENT INFORMATION.
- 5) DOOR SIZE TO COMPLY WITH CURRENT FBC EGRESS REQUIREMENTS WHEN REQUIRED.
- 6) JAMB ANCHORS ARE SPECIFIED AS THE TOTAL QUANTITY, DIVIDE BY 2 FOR PAIRS TO BE INSTALLED.

TABLE 2A:

Sill Height to Max. (+) DP (Water Infiltration Rating)	
Sill Riser Height (Flat or Box, see Sheet 17)	(+) Design Pressure, psf
Flush - 1-1/2"	see note 3
Low - 2-1/2"	+ 46.67
Medium - 3-1/4"	+ 60.0
High - 4"	+ 60.0

SEE NOTES 1-3



DLO WIDTH =  
NOM. PANEL WIDTH - 7"

DLO HEIGHT =  
DOOR UNIT HEIGHT - 10.125"

PANEL HEIGHT =  
DOOR UNIT HEIGHT - 1.866"

**PRODUCT REVISED**  
as complying with the Florida Building Code  
NOA-No. **20-0429.09**  
Expiration Date: **02/17/2025**

By: Isaac I. Chande  
Miami-Dade Product Control

THE FOLLOWING STILE & ASTRAGAL TYPES SHALL BE USED FOR TABLE 2, SEE SHEETS 21 & 22 FOR PART DIMENSIONS AND SHEETS 18 & 19 FOR ASSEMBLY DETAILS.

Interlock	P-hook	Lockstile @ Jamb	Straight Astragal Assembly	Lockstile @ Straight Astragal	90° Astragal Assembly	Lockstile @ 90° Astragal	135° Astragal Assembly	Lockstile @ 135° Astragal
Heavy-duty Stiles	Heavy-duty Stile	Heavy-duty Stile	Heavy-duty Stile	Heavy-duty Stile	Heavy-duty Stile	Heavy-duty Stile	Heavy-duty Stile	Heavy-duty Stile
Part #61 (x2)	Part #61	Part #61	Part #61 (Stile) Part #67 (Astragal)	Part #61	Part #61 (Stile) Part #118 (Corner Receiver)	Part #119 (Out.) Part #120 (In.)	Part #61 (Stile) Parts #31 & #32 (Corn. & Fxd Mount)	Part #61

1070 TECHNOLOGY DRIVE  
N. VENICE, FL 34275  
(941) 480-1600  
REGISTRATION #29296



Description: **DP AND ANCHORAGE**  
Title: **SERIES 770 ALUM. SGD - LM IMPACT**  
Series/Model: **SGD-770** Scale: **NTS** Sheet: **7 of 22** Drawing No. **PGT0130** Rev: **D**

Revised By: **JR** Date: **03/26/20** Revisions: **D** NO CHANGES THIS SHEET.  
Checked By: \_\_\_\_\_ Date: \_\_\_\_\_  
Drawn By: **JR** Date: **10/10/14** Checked By: \_\_\_\_\_ Date: \_\_\_\_\_

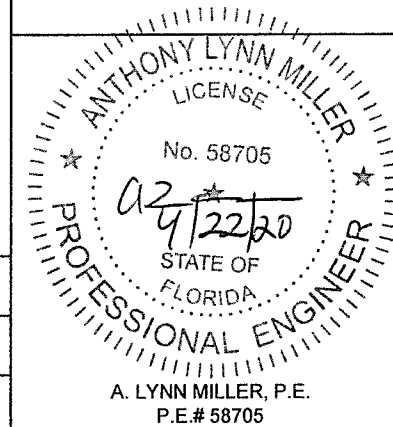


TABLE 3:

Design Pressure (DP) and Anchor Quantities Required, (for all approved configurations on Sheets 2 & 3) For corner astragal anchorage on 90° or 135° corner units, see sheet 11																	Maximum DP shown below (May be limited by Table 3A)														
Table applies to Glass Types 4, 4A, 6, 6A, 7, 7A, 8 & 8A and the Stile/Astragal types shown below.		Door Unit Height																													
		80"				84"				90"				96"				102"				108"									
		69-7/8" DLO				73-7/8" DLO				79-7/8" DLO				85-7/8" DLO				91-7/8" DLO				97-7/8" DLO									
		Anchor Group				Anchor Group				Anchor Group				Anchor Group				Anchor Group				Anchor Group									
		A	B	C	D	A	B	C	D	A	B	C	D	A	B	C	D	A	B	C	D	A	B	C	D	A	B	C	D		
Nominal Panel Width	24"	17" DLO	Design Pressure																												
			+/-90.0 psf												+/-82.5 psf						+/-75.0 psf										
			Head/Sill	C4+1	C4+1	C4+1	C4+1	C4+1	C4+1	C4+1	C4+1	C4+1	C4+1	C4+1	C4+1	C4+1	C4+1	C4+1	C4+1	C4+1	C4+1	C4+1	C4+1	C4+1	C4+1	C4+1	C4+1	C4+1	C4+1	C4+1	C4+1
			Jamb	8	8	8	8	8	8	8	8	8	8	8	8	8	8	8	8	10	10	10	10	10	10	10	10	10	10	10	10
	P-hook	6+7	6+7	6+7	6+7	7+8	7+8	7+8	7+8	7+8	7+8	7+8	7+8	7+8	7+8	7+8	7+8	8+9	8+9	8+9	8+9	8+9	8+9	8+9	8+9	8+9	8+9	8+9	8+9		
	30"	23" DLO	Design Pressure																												
			+/-90.0 psf												+/-82.5 psf						+/-75.0 psf										
			Head/Sill	C4+1	C4+1	C4+1	C4+1	C4+1	C4+1	C4+1	C4+1	C4+1	C4+1	C4+1	C4+1	C4+1	C4+1	C4+1	C4+1	C4+1	C4+1	C4+1	C4+1	C4+1	C4+1	C4+1	C4+1	C4+1	C4+1	C4+1	C4+1
			Jamb	8	8	8	8	8	8	8	8	8	10	8	8	8	10	8	8	10	10	10	10	10	10	10	10	10	10	10	10
	P-hook	6+7	6+7	6+7	6+7	7+8	7+8	7+8	7+8	7+8	7+8	7+8	7+8	7+8	7+8	7+8	7+8	8+9	8+9	8+9	8+9	8+9	8+9	8+9	8+9	8+9	8+9	8+9	8+9		
	36"	29" DLO	Design Pressure																												
			+/-90.0 psf												+/-82.5 psf						+/-75.0 psf										
			Head/Sill	C4+1	C4+1	C4+1	C4+1	C4+1	C4+1	C4+1	C4+1	C4+1	C4+1	C4+1	C4+1	C5+1	C5+1	C4+1	C4+1	C5+1	C5+1	C4+1	C4+1	C5+1	C5+1	C4+1	C4+1	C5+1	C5+1	C4+1	C4+1
			Jamb	10	8	8	8	10	8	8	8	8	10	8	8	8	12	10	8	8	12	10	10	10	10	10	10	10	10	10	10
	P-hook	6+7	6+7	6+7	6+7	7+8	7+8	7+8	7+8	7+8	7+8	7+8	7+8	8+9	8+9	8+9	8+9	8+9	8+9	8+9	8+9	8+9	8+9	8+9	8+9	8+9	8+9	8+9	8+9		
	42"	35" DLO	Design Pressure																												
			+/-90.0 psf												+/-82.5 psf						+/-75.0 psf										
			Head/Sill	C4+2	C4+2	C4+2	C4+2	C4+2	C4+2	C4+2	C4+2	C5+2	C5+2	C5+2	C5+2	C5+2	C5+2	C5+2	C5+2	C5+2	C5+2	C5+2	C5+2	C5+2	C5+2	C5+2	C5+2	C5+2	C5+2	C5+2	C5+2
			Jamb	10	8	8	8	10	8	8	8	12	10	8	8	12	10	8	8	12	10	10	10	12	10	10	10	12	10	10	10
	P-hook	7+8	7+8	7+8	7+8	7+8	7+8	7+8	7+8	8+9	8+9	8+9	8+9	8+9	8+9	8+9	8+9	8+9	8+9	8+9	8+9	8+9	8+9	8+9	8+9	8+9	8+9	8+9	8+9		
48"	41" DLO	Design Pressure																													
		+/-90.0 psf												See Note A below.						+/-82.5 psf						+/-75.0 psf					
		Head/Sill	C5+2	C5+2	C4+2	C4+2	C5+2	C5+2	C5+2	C5+2	C5+2	C5+2	C5+2	C5+2	C6+2	C6+2	C5+2	C5+2	C6+2	C6+2	C5+2	C5+2	C6+2	C6+2	C5+2	C5+2	C6+2	C6+2	C5+2	C5+2	
		Jamb	10	8	8	8	12	10	8	8	12	10	8	8	14	12	8	8	14	12	10	10	14	10	10	10	14	10	10	10	
P-hook	7+8	7+8	7+8	7+8	8+9	8+9	8+9	8+9	8+9	8+9	8+9	8+9	9+10	9+10	9+10	9+10	9+10	9+10	9+10	9+10	9+10	9+10	9+10	9+10	9+10	9+10	9+10	9+10			

NOTE A: +/-90.0 PSF FOR GLASS TYPES 4, 4A, 6, 6A, 7A, 8 & 8A; +/-87.1 FOR GLASS TYPE 7  
EXAMPLE ON SHEET 9

NOTES:

- 1) POSITIVE PRESSURES IN TABLE 3 ARE BASED ON THE USE OF THE 4" SILL.
- 2) WHEN USING THE 2-1/2" SILL, POSITIVE WATER DP IS 46.67 PSF MAX. WHEN USING THE 3-1/4" SILL, POSITIVE WATER DP IS 60.0 PSF MAX. WHEN USING THE 4" SILL, POSITIVE WATER DP IS 90.0 PSF MAX (NEGATIVE PRESSURES UNCHANGED). SEE TABLE 3A.
- 3) 4", 3-1/4" AND 2-1/2" SILL HEIGHTS ARE TESTED FOR WATER INFILTRATION WHEREAS THE 1-1/2" SILL IS NOT AND MUST ONLY BE USED WHERE WATER RESISTANCE IS NOT REQUIRED. MAX. POSITIVE DESIGN PRESSURES SHOWN IN TABLE 3 MAY BE USED WHEN THE DOOR IS PROTECTED BY AN OVERHANG COMPLYING WITH THE CURRENT FLORIDA BUILDING CODE (SEE ADJACENT DIAGRAM); THIS CONDITION IS NOT RATED FOR WATER INFILTRATION.
- 4) SEE SHEETS 10-14 FOR ANCHORAGE SPACING, EDGE DISTANCE AND EMBEDMENT INFORMATION.
- 5) DOOR SIZE TO COMPLY WITH CURRENT FBC EGRESS REQUIREMENTS WHEN REQUIRED.
- 6) JAMB ANCHORS ARE SPECIFIED AS THE TOTAL QUANTITY, DIVIDE BY 2 FOR PAIRS TO BE INSTALLED.

DLO WIDTH =  
NOM. PANEL WIDTH - 7"

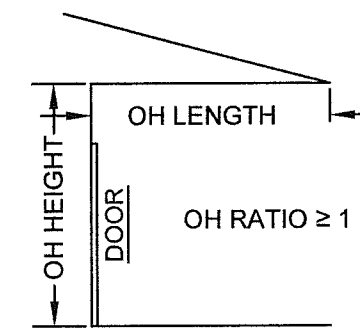
DLO HEIGHT =  
DOOR UNIT HEIGHT - 10.125"

PANEL HEIGHT =  
DOOR UNIT HEIGHT - 1.866"

TABLE 3A:

Sill Height to Max. (+) DP (Water Infiltration Rating)	
Sill Riser Height (Flat or Box, see Sheet 17)	(+) Design Pressure, psf
Flush - 1-1/2"	see note 3
Low - 2-1/2"	+ 46.67
Medium - 3-1/4"	+ 60.0
High - 4"	+ 90.0

SEE NOTES 1-3



$$OH \text{ RATIO} = \frac{OH \text{ LENGTH}}{OH \text{ HEIGHT}}$$

THE FOLLOWING STILE & ASTRAGAL TYPES SHALL BE USED FOR TABLE 3, SEE SHEETS 21 & 22 FOR PART DIMENSIONS AND SHEETS 18 & 19 FOR ASSEMBLY DETAILS.

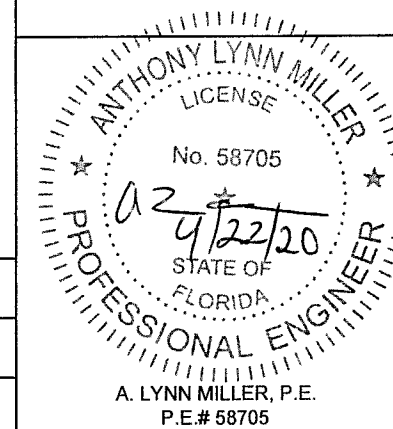
Interlock	P-hook	Lockstile @ Jamb	Straight Astragal Assembly	Lockstile @ Straight Astragal	90° Astragal Assembly	Lockstile @ 90° Astragal	135° Astragal Assembly	Lockstile @ 135° Astragal
Heavy-duty Stiles	Heavy-duty Stile	Heavy-duty Stile	Heavy-duty Stile	Heavy-duty Stile	Heavy-duty Stile	Heavy-duty Stile	Heavy-duty Stile	Heavy-duty Stile
Part #61 (x2)	Part #61	Part #61	Part #61 (Stile) Part #68 (Astragal)	Part #61	Part #61 (Stile) Part #118 (Corner Receiver)	Part #119 (Out.) Part #120 (In.)	Part #61 (Stile) Parts #31 & #32 (Corn. & Fxd Mount)	Part #61

1070 TECHNOLOGY DRIVE  
N. VENICE, FL 34275  
(941) 480-1600  
REGISTRATION #29296



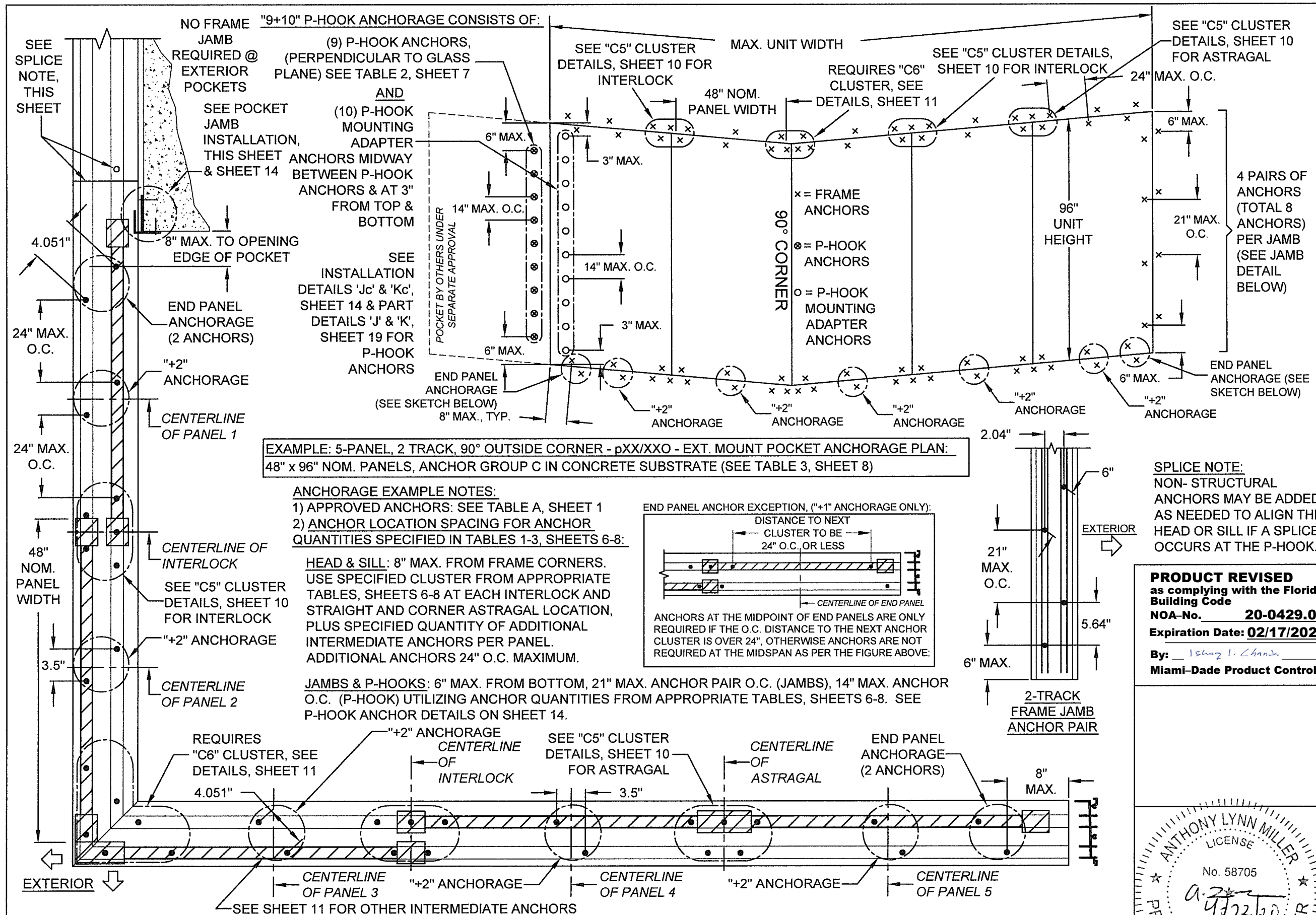
Description: **DP AND ANCHORAGE**  
Title: **SERIES 770 ALUM. SGD - LM IMPACT**  
Series/Model: SGD-770 Scale: NTS Sheet: 8 of 22 Drawing No. PGT0130 Rev: D

Revsd By: JR	Date: 03/26/20	Revisions: D	NO CHANGES THIS SHEET.
Drawn By: JR	Date: 10/10/14	Checked By:	Date:



A. LYNN MILLER, P.E.  
P.E.# 58705



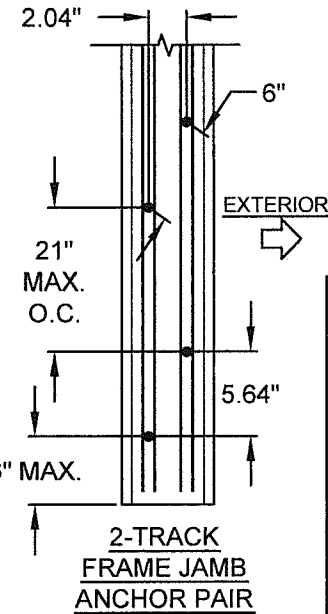
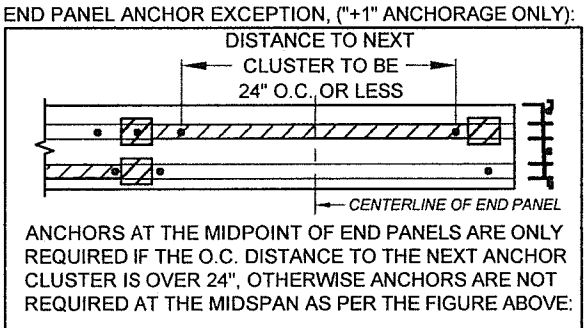


**EXAMPLE: 5-PANEL, 2 TRACK, 90° OUTSIDE CORNER - pXX/XXO - EXT. MOUNT POCKET ANCHORAGE PLAN:**  
 48" x 96" NOM. PANELS, ANCHOR GROUP C IN CONCRETE SUBSTRATE (SEE TABLE 3, SHEET 8)

- ANCHORAGE EXAMPLE NOTES:**
- 1) APPROVED ANCHORS: SEE TABLE A, SHEET 1
  - 2) ANCHOR LOCATION SPACING FOR ANCHOR QUANTITIES SPECIFIED IN TABLES 1-3, SHEETS 6-8:

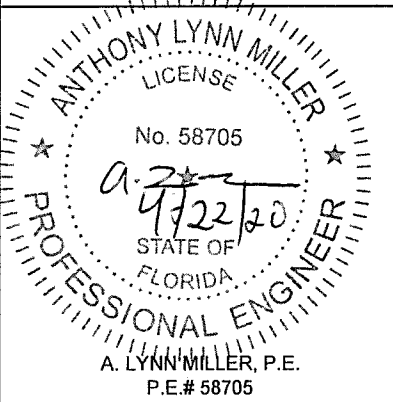
**HEAD & SILL: 8" MAX. FROM FRAME CORNERS.** USE SPECIFIED CLUSTER FROM APPROPRIATE TABLES, SHEETS 6-8 AT EACH INTERLOCK AND STRAIGHT AND CORNER ASTRAGAL LOCATION, PLUS SPECIFIED QUANTITY OF ADDITIONAL INTERMEDIATE ANCHORS PER PANEL. ADDITIONAL ANCHORS 24" O.C. MAXIMUM.

**JAMBS & P-HOOKS: 6" MAX. FROM BOTTOM, 21" MAX. ANCHOR PAIR O.C. (JAMBS), 14" MAX. ANCHOR O.C. (P-HOOK) UTILIZING ANCHOR QUANTITIES FROM APPROPRIATE TABLES, SHEETS 6-8. SEE P-HOOK ANCHOR DETAILS ON SHEET 14.**



**SPLICE NOTE:**  
 NON-STRUCTURAL ANCHORS MAY BE ADDED AS NEEDED TO ALIGN THE HEAD OR SILL IF A SPLICE OCCURS AT THE P-HOOK.

**PRODUCT REVISED**  
 as complying with the Florida Building Code  
**NOA-No. 20-0429.09**  
**Expiration Date: 02/17/2025**  
 By: Ismael L. Chaniz  
**Miami-Dade Product Control**

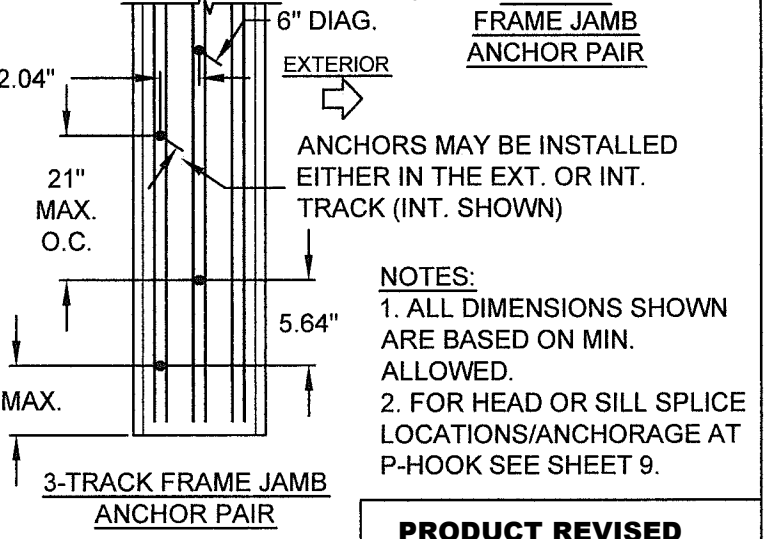
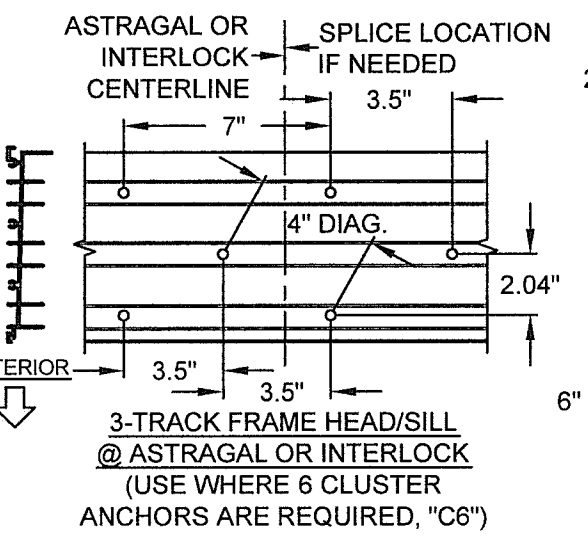
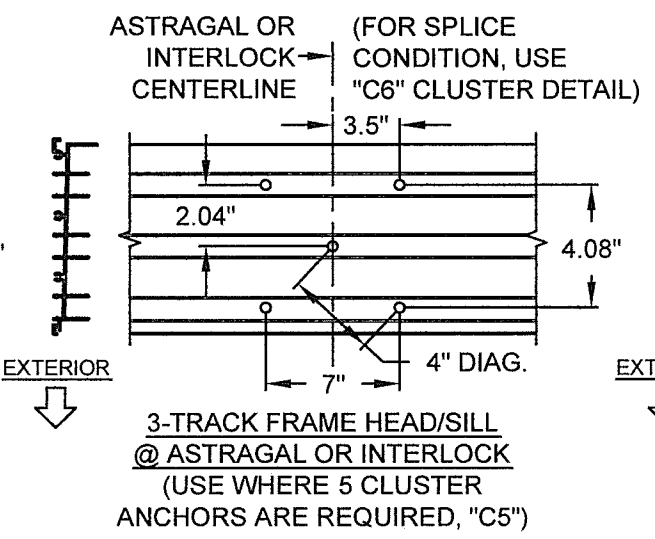
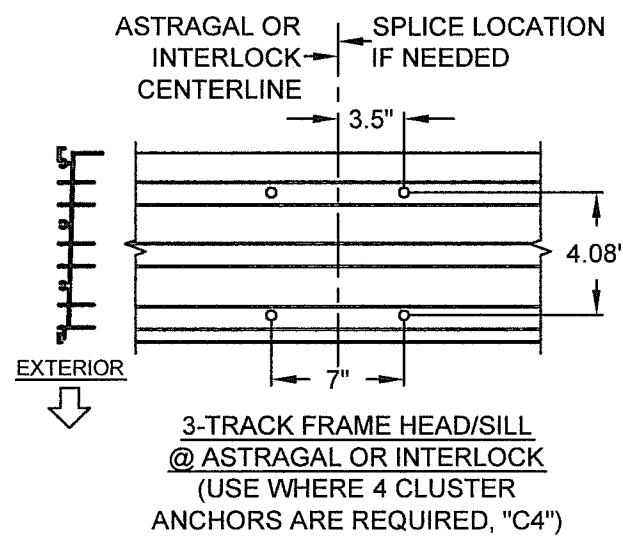
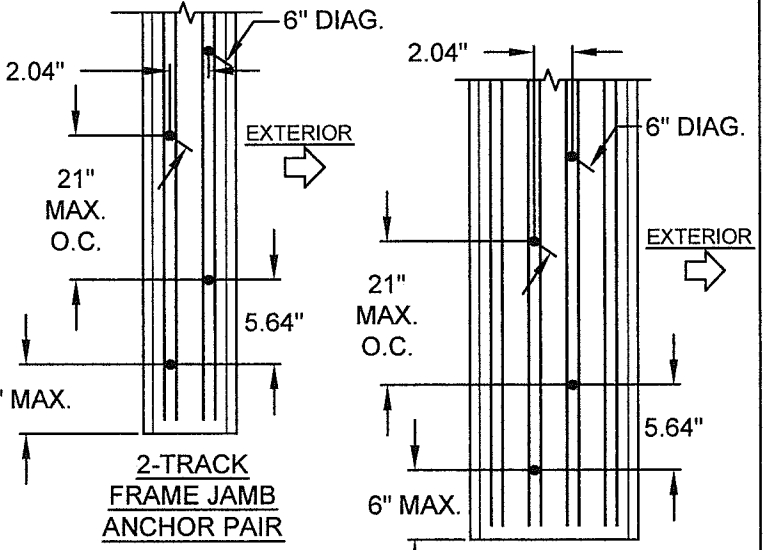
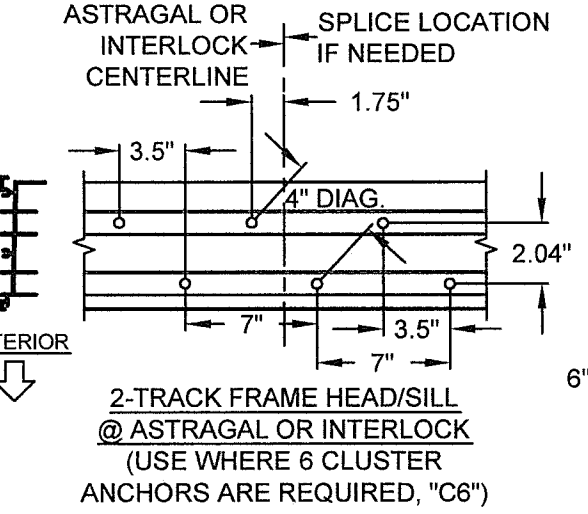
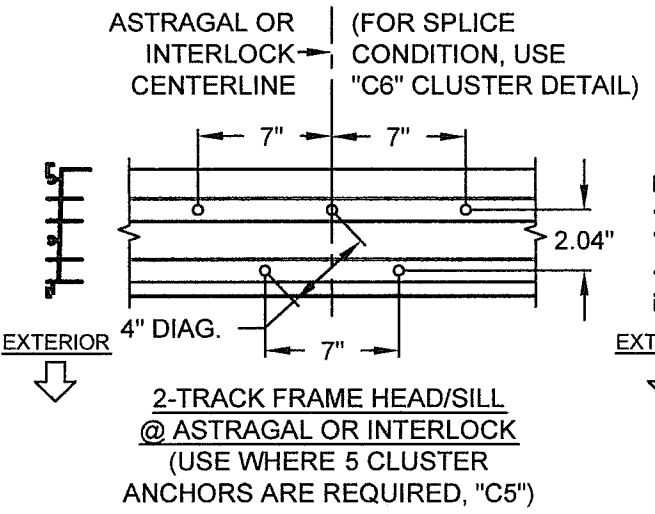
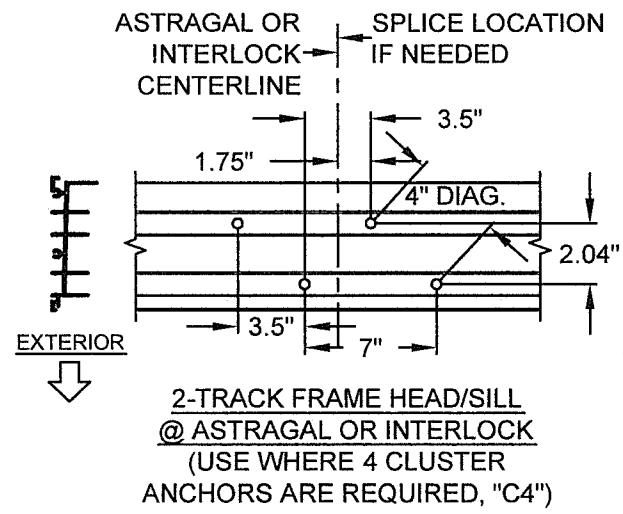


Revised By: JR	Date: 03/26/20	Revisions: D	NO CHANGES THIS SHEET.
Drawn By: JR	Date: 10/10/14	Checked By:	Date:

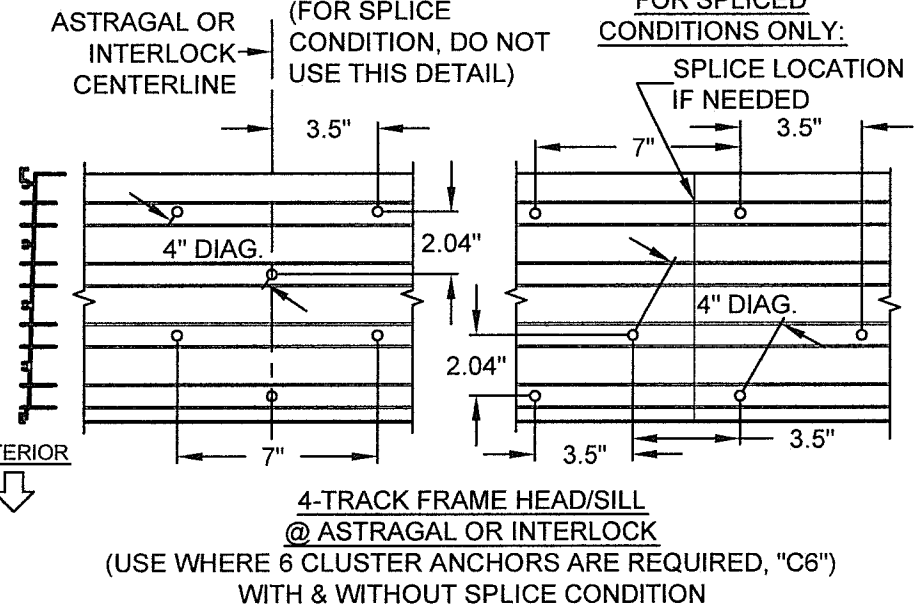
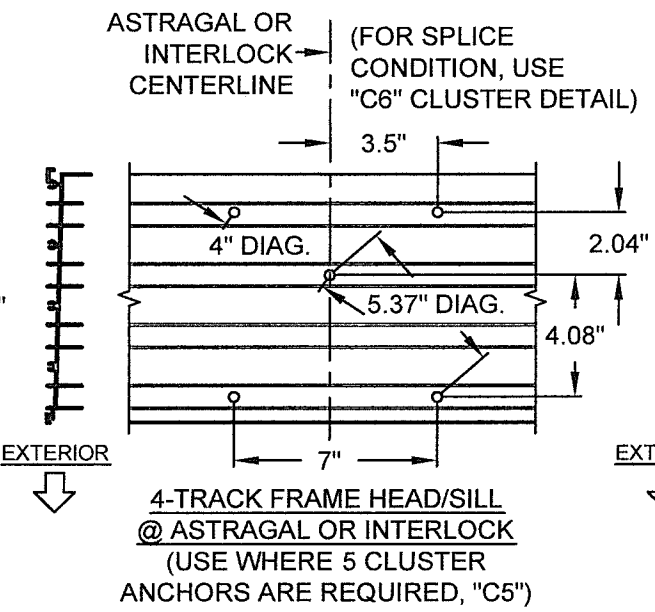
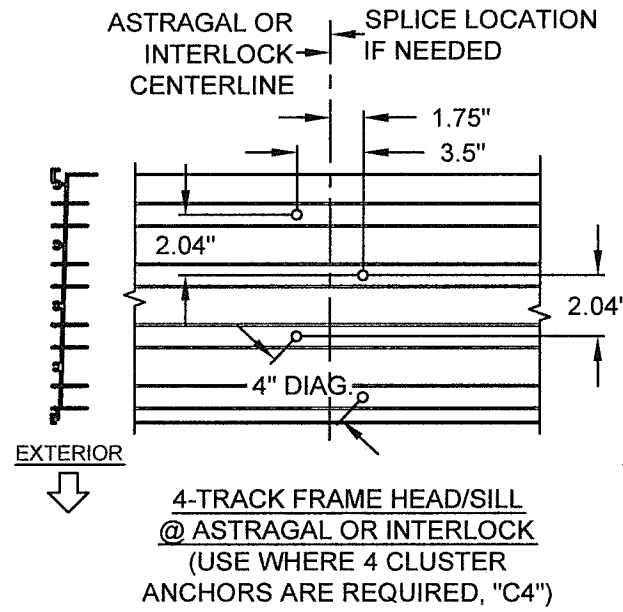
1070 TECHNOLOGY DRIVE  
 N. VENICE, FL 34275  
 (941) 480-1600  
 REGISTRATION #29296



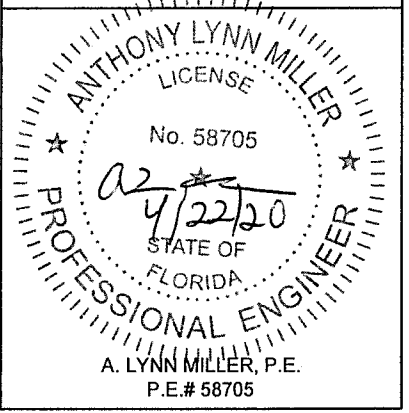
Description: <b>ANCHORAGE SPACING &amp; EXAMPLE PLANS</b>			
Title: <b>SERIES 770 ALUM. SGD - LM IMPACT</b>			
Series/Model: SGD-770	Scale: NTS	Sheet: 9 of 22	Drawing No. PGT0130
			Rev: D



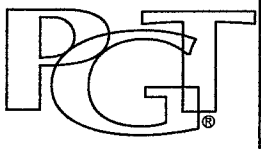
NOTES:  
 1. ALL DIMENSIONS SHOWN ARE BASED ON MIN. ALLOWED.  
 2. FOR HEAD OR SILL SPLICE LOCATIONS/ANCHORAGE AT P-HOOK SEE SHEET 9.



**PRODUCT REVISED**  
 as complying with the Florida Building Code  
 NOA-No. **20-0429.09**  
 Expiration Date: **02/17/2025**  
 By: *Ismael I. Chandra*  
 Miami-Dade Product Control



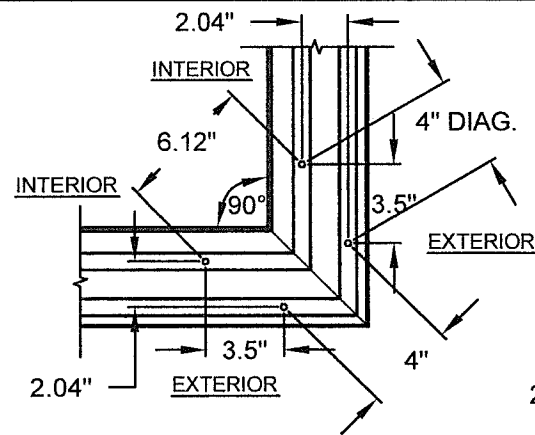
1070 TECHNOLOGY DRIVE  
 N. VENICE, FL 34275  
 (941) 480-1600  
 REGISTRATION #29296



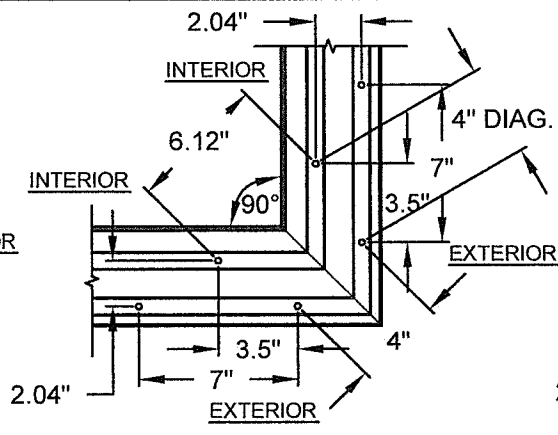
Description: **ANCHORAGE, EXAMPLE CLUSTERS**  
 Title: **SERIES 770 ALUM. SGD - LM IMPACT**  
 Series/Model: **SGD-770** Scale: **NTS** Sheet: **10 of 22** Drawing No. **PGT0130** Rev: **D**

Revised By: JR	Date: 03/26/20	Revisions: D	NO CHANGES THIS SHEET.
Drawn By: JR	Date: 10/10/14	Checked By:	Date:

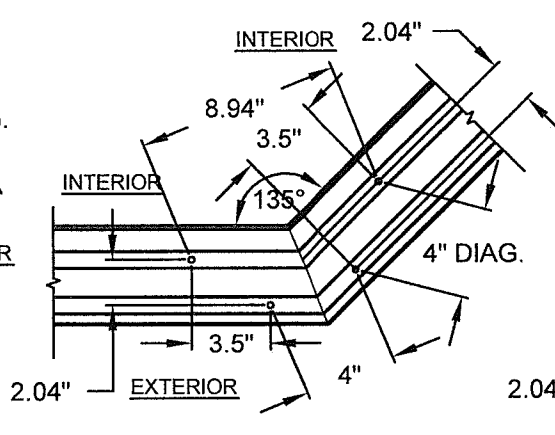




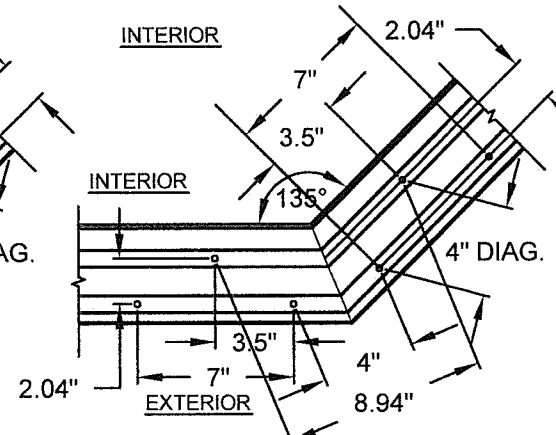
**90° CORNER**  
**2-TRACK FRAME HEAD/SILL**  
 (USE WHERE 4 CLUSTER ANCHORS ARE REQUIRED, "C4")



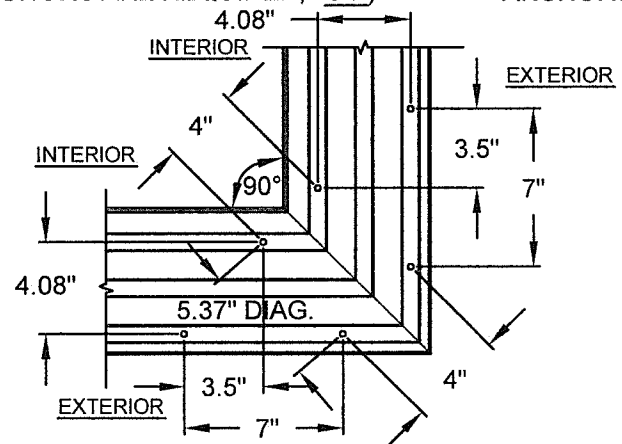
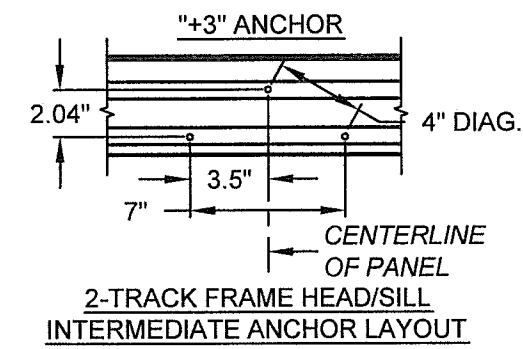
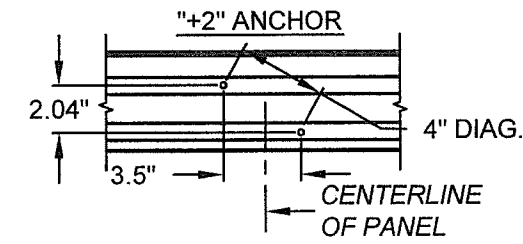
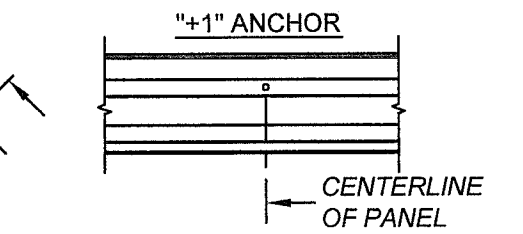
**90° CORNER**  
**2-TRACK FRAME HEAD/SILL**  
 (USE WHERE 5 OR 6 CLUSTER ANCHORS ARE REQUIRED, "C6")



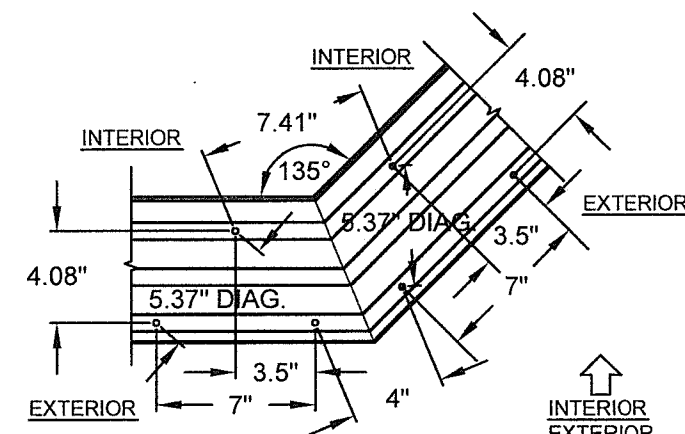
**135° CORNER**  
**2-TRACK FRAME HEAD/SILL**  
 (USE WHERE 4 CLUSTER ANCHORS ARE REQUIRED, "C4")



**135° CORNER**  
**2-TRACK FRAME HEAD/SILL**  
 (USE WHERE 5 OR 6 CLUSTER ANCHORS ARE REQUIRED, "C6")

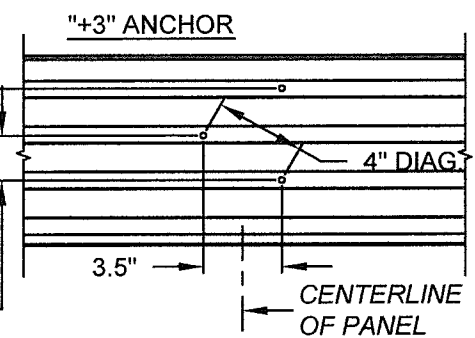
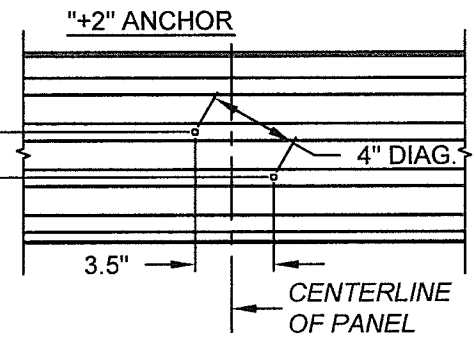
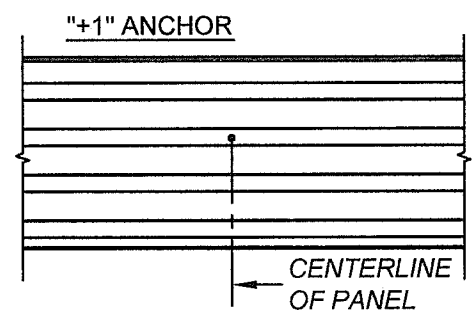


**90° CORNER**  
**3-TRACK FRAME HEAD/SILL**  
 ("C6" ANCHOR CLUSTER REQUIRED AT ALL 3-TRACK CORNERS)

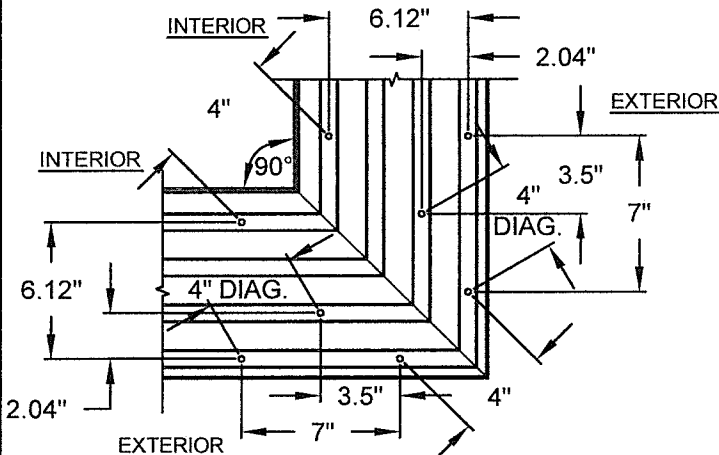


**135° CORNER**  
**3-TRACK FRAME HEAD/SILL**  
 ("C6" ANCHOR CLUSTER REQUIRED AT ALL 3-TRACK CORNERS)

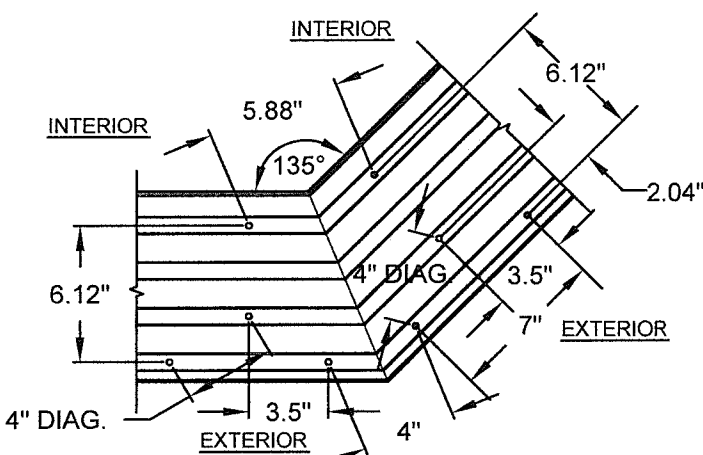
ON ALL VIEWS  
 INTERIOR  
 EXTERIOR



**4-TRACK FRAME HEAD/SILL**  
 INTERMEDIATE ANCHOR LAYOUT  
 (3-TRACK SIMILAR)



**90° CORNER**  
**4-TRACK FRAME HEAD/SILL**  
 ("C8" ANCHOR CLUSTER REQUIRED AT ALL 4-TRACK CORNERS)

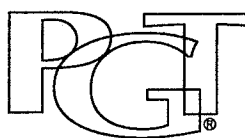


**135° CORNER**  
**4-TRACK FRAME HEAD/SILL**  
 ("C8" ANCHOR CLUSTER REQUIRED AT ALL 4-TRACK CORNERS)

**NOTES:**  
 1. ALL DIMENSIONS SHOWN ARE BASED ON MINIMUM ALLOWED.  
 2. DETAILS DEPICT ANCHOR QUANTITY AND SPACING, AND WOULD BE IDENTICAL FOR EXTERIOR OR INTERIOR CORNER CONFIGURATIONS.

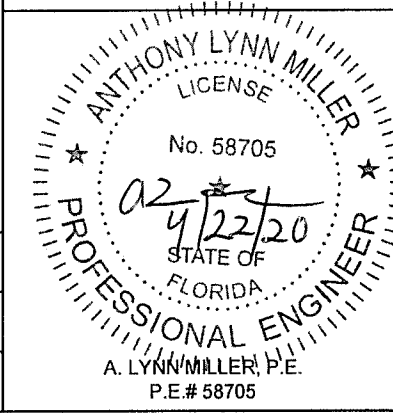
Revised By: JR	Date: 03/26/20	Revisions: D	NO CHANGES THIS SHEET.
Drawn By: JR	Date: 10/10/14	Checked By:	Date:

1070 TECHNOLOGY DRIVE  
 N. VENICE, FL 34275  
 (941) 480-1600  
 REGISTRATION #29296

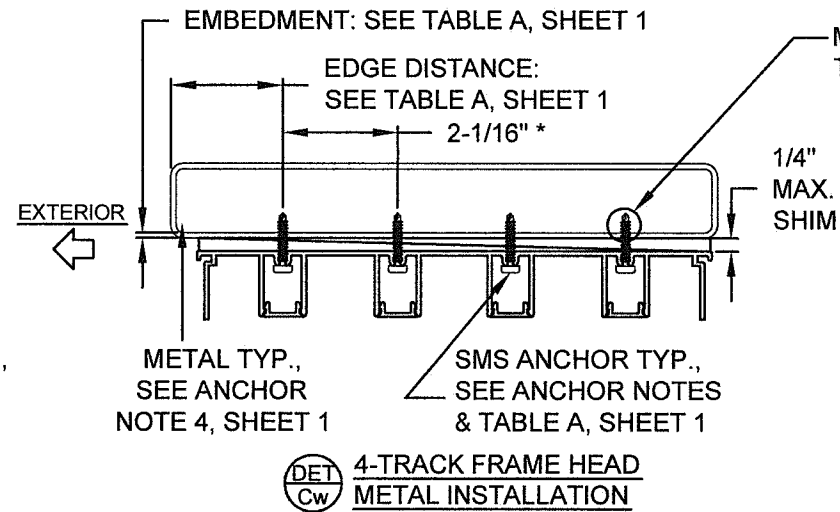
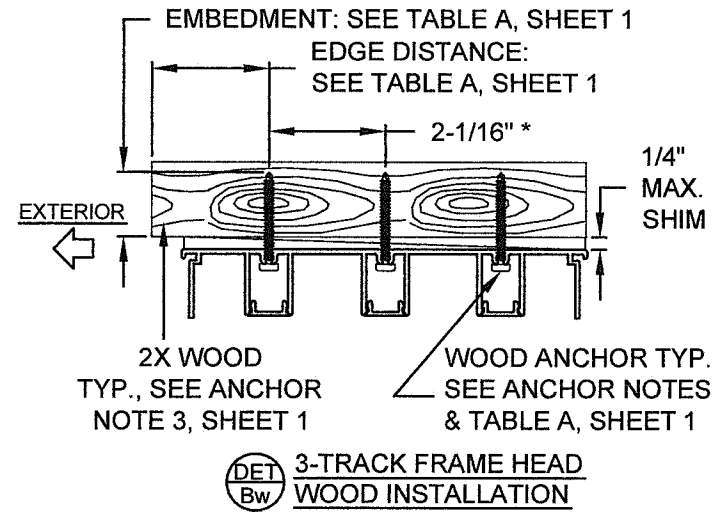
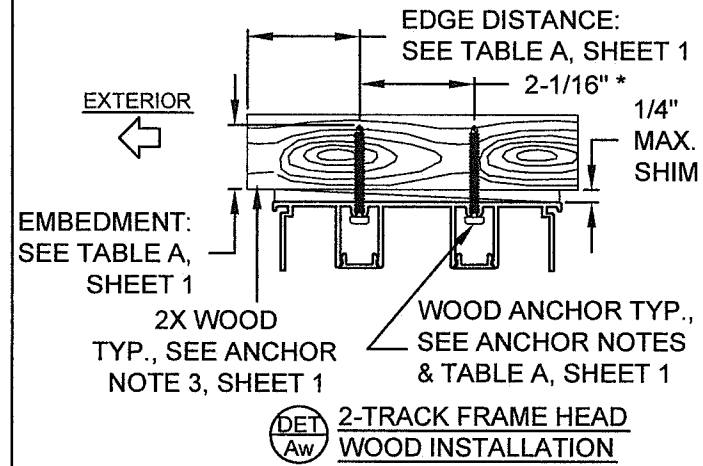


Description: ANCHORAGE, EXAMPLE CLUSTERS			
Title: SERIES 770 ALUM. SGD - LM IMPACT			
Series/Model: SGD-770	Scale: NTS	Sheet: 11 of 22	Drawing No. PGT0130
Rev: D			

**PRODUCT REVISED**  
 as complying with the Florida Building Code  
 NOA-No. 20-0429.09  
 Expiration Date: 02/17/2025  
 By: Ishag I. Chande  
 Miami-Dade Product Control



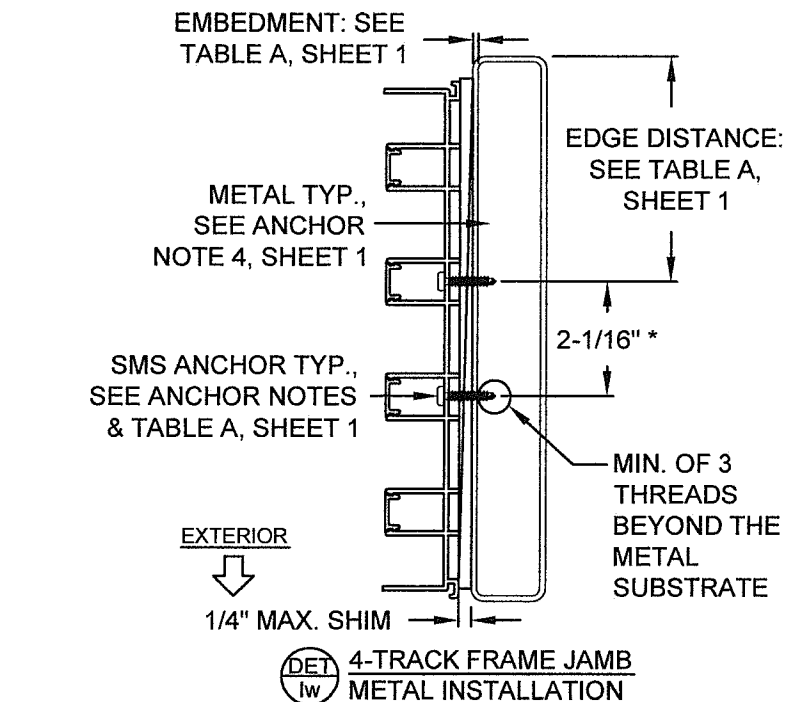
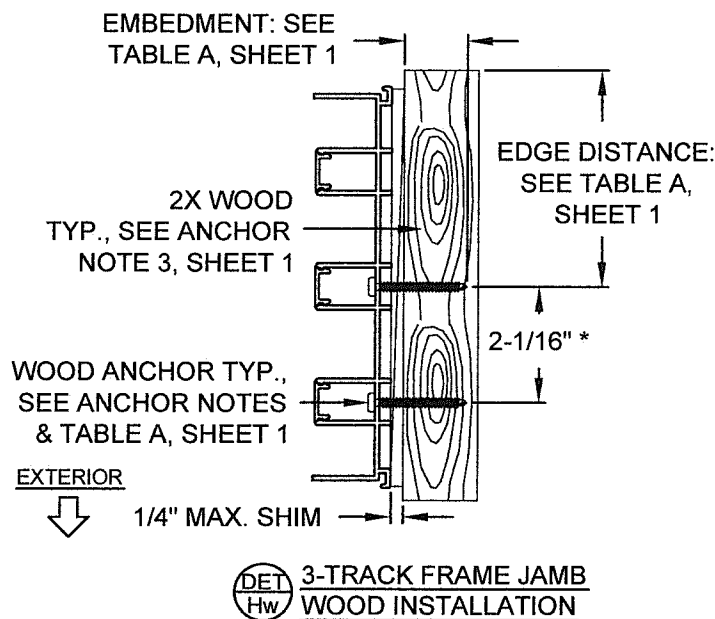
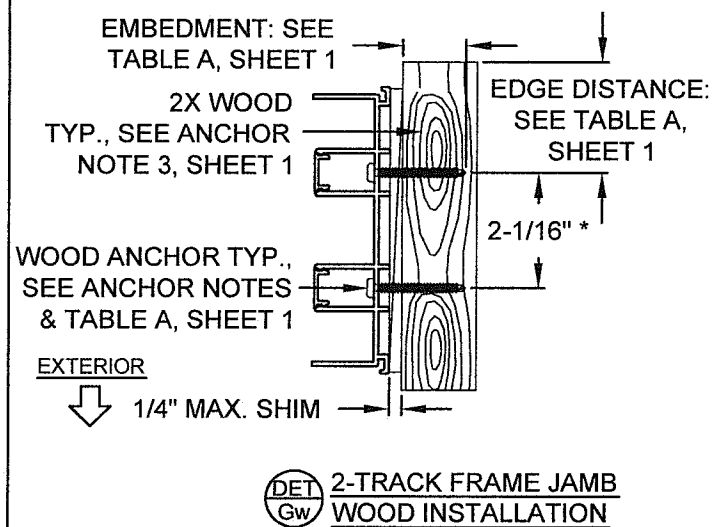
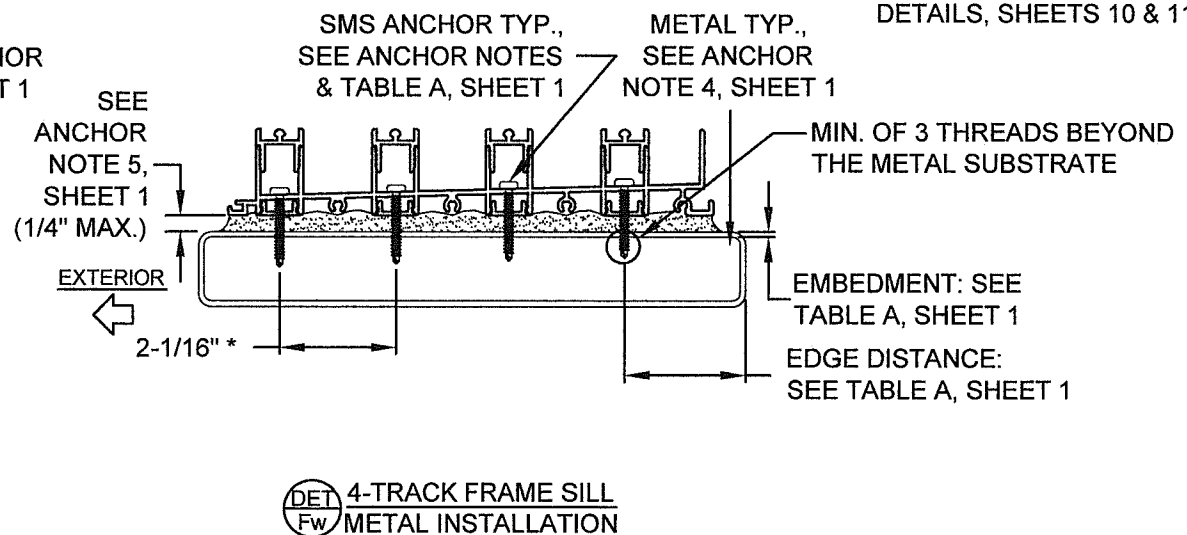
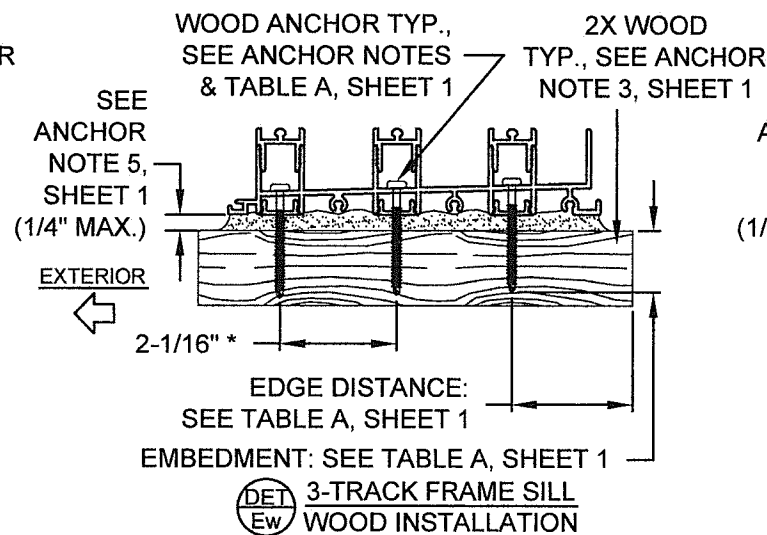
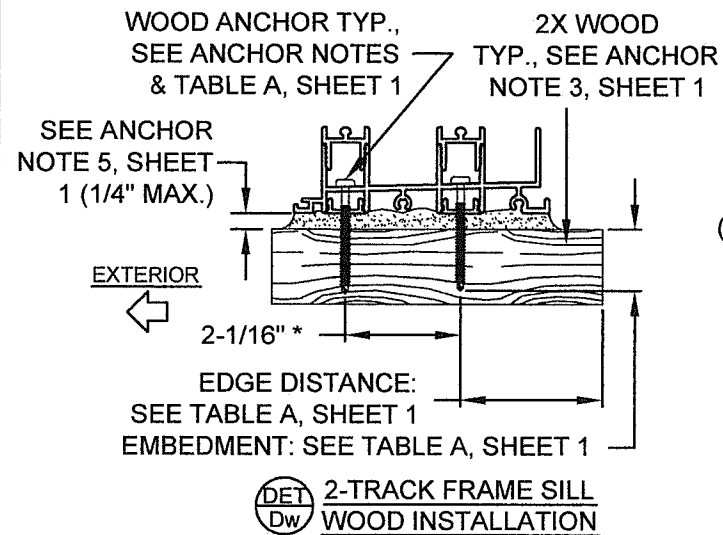
# INSTALLATION DETAILS



MIN. OF 3 THREADS BEYOND THE METAL SUBSTRATE

**NOTES:**  
 1. ALL DIMENSIONS SHOWN ARE BASED ON MIN. ALLOWED.  
 2. METAL OR WOOD SUBSTRATES MAY BE USED FOR ALL FRAME TYPES PER TABLE A, SHEET 1.

\* DIAGONAL O.C. IS MIN 4" (HEAD & SILL) OR 6" (JAMB) SEE DETAILS, SHEETS 10 & 11.



**PRODUCT REVISED**  
 as complying with the Florida Building Code  
 NOA-No. **20-0429.09**  
 Expiration Date: **02/17/2025**  
 By: Ishtay I. Chanda  
 Miami-Dade Product Control

ANTHONY LYNN MILLER  
 LICENSE  
 No. 58705  
 4/22/20  
 STATE OF FLORIDA  
 PROFESSIONAL ENGINEER  
 A. LYNN MILLER, P.E.  
 P.E.# 58705

Revised By: JR	Date: 03/26/20	Revisions: D	NO CHANGES THIS SHEET.
Drawn By: JR	Date: 10/10/14	Checked By:	Date:

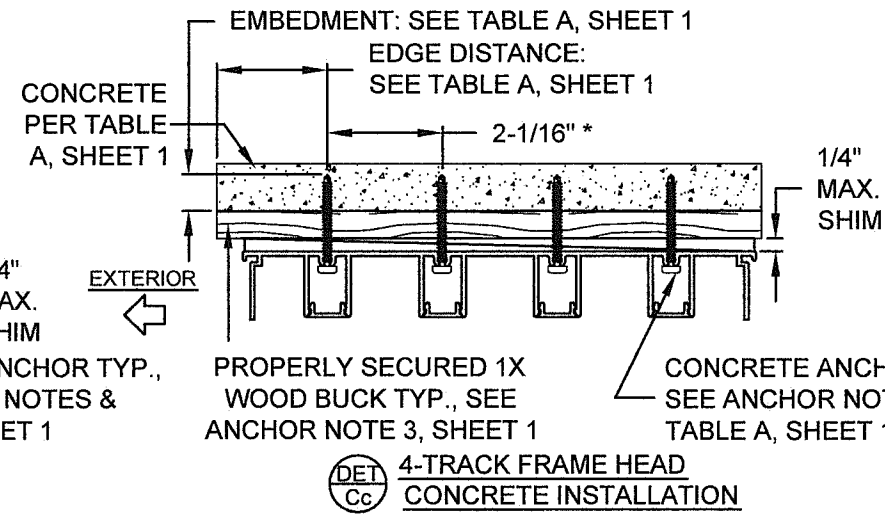
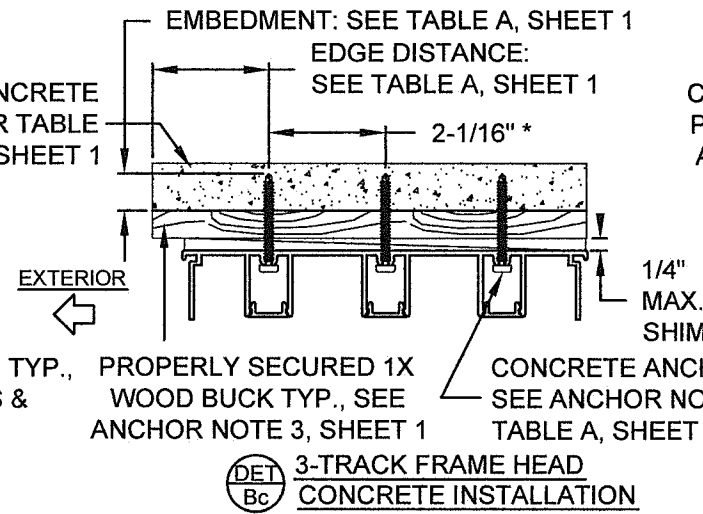
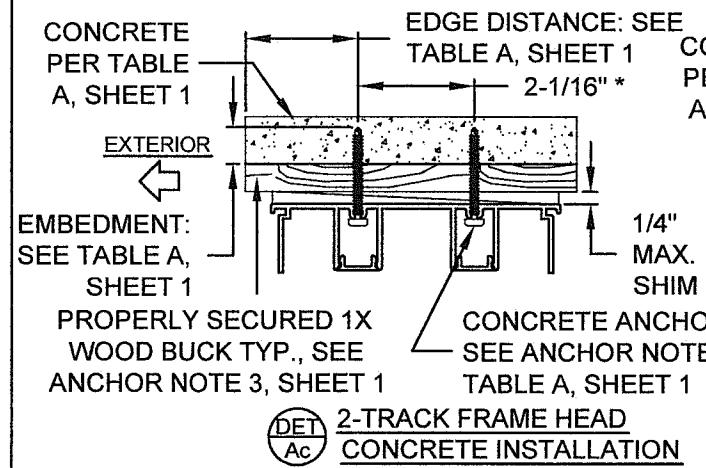
1070 TECHNOLOGY DRIVE  
 N. VENICE, FL 34275  
 (941) 480-1600  
 REGISTRATION #29296



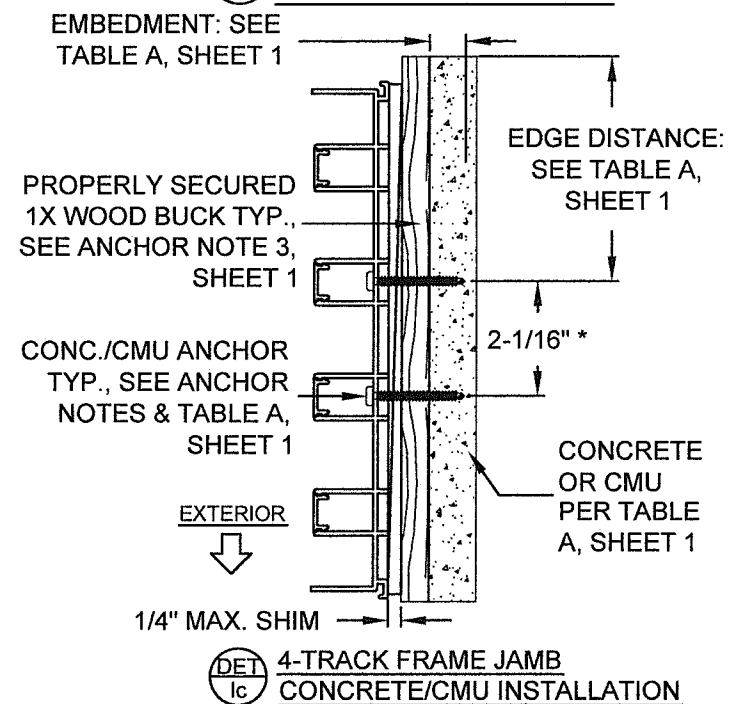
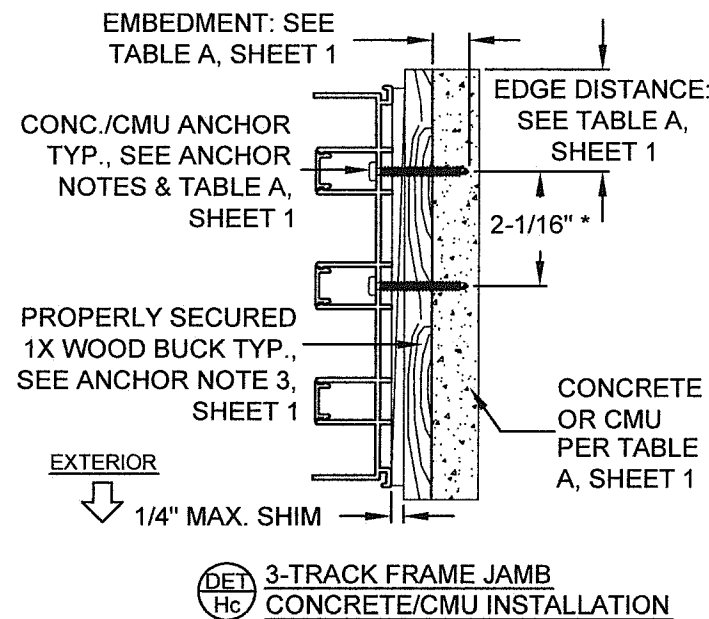
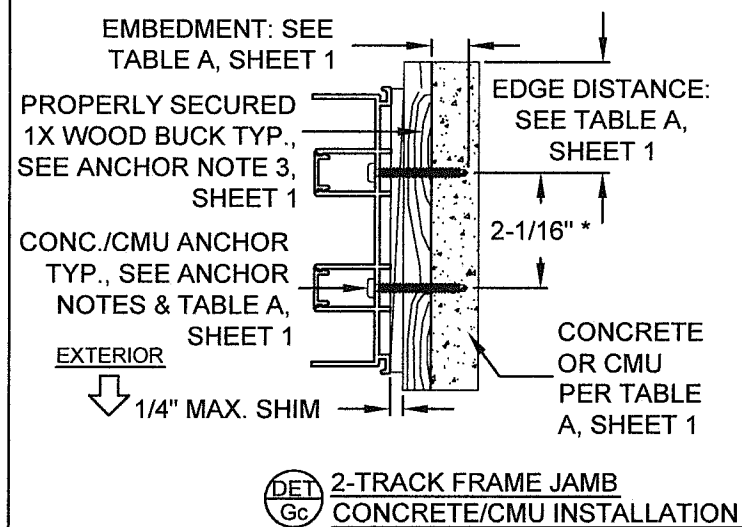
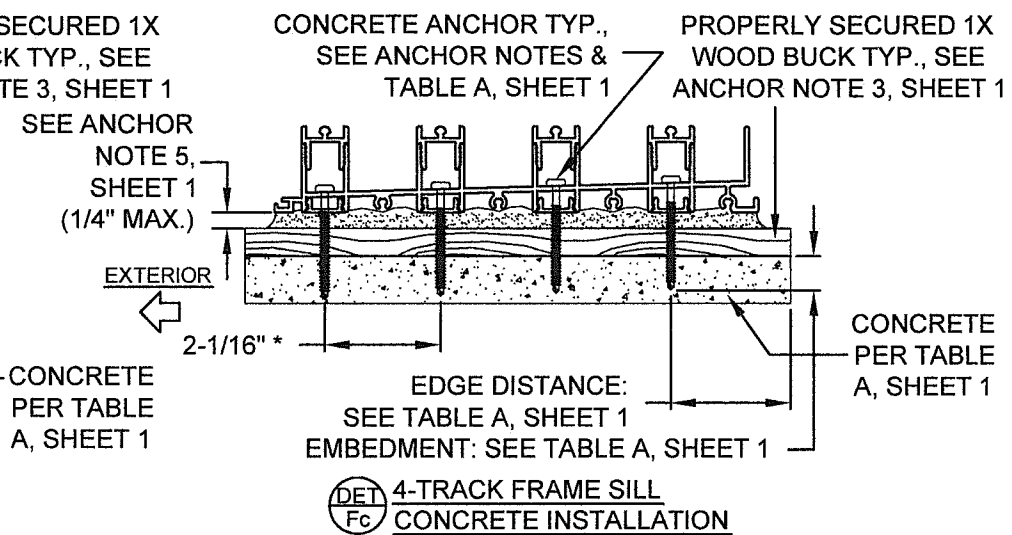
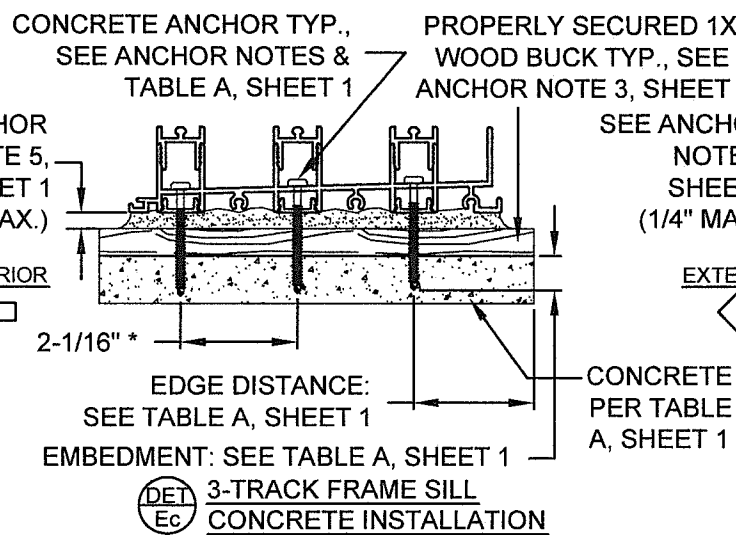
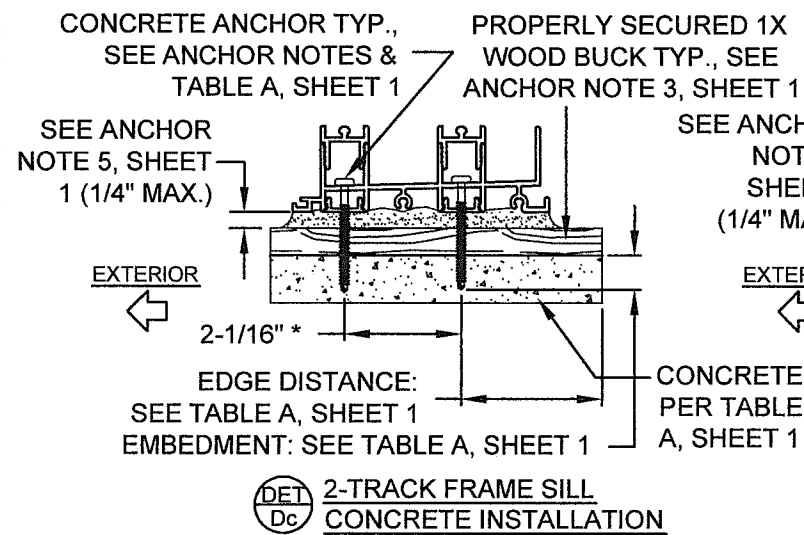
Description: <b>ANCHORAGE DETAILS</b>			
Title: <b>SERIES 770 ALUM. SGD - LM IMPACT</b>			
Series/Model: SGD-770	Scale: NTS	Sheet: 12 of 22	Drawing No. PGT0130
Rev: D			



# INSTALLATION DETAILS



**NOTES:**  
 1. ALL DIMENSIONS SHOWN ARE BASED ON MIN. ALLOWED.  
 \* DIAGONAL O.C. IS MIN 4" (HEAD & SILL) OR 6" (JAMB) SEE DETAILS, SHEETS 10 & 11.



**PRODUCT REVISED**  
 as complying with the Florida Building Code  
 NOA-No. **20-0429.09**  
 Expiration Date: **02/17/2025**  
 By: *Ismael I. Chanda*  
 Miami-Dade Product Control

ANTHONY LYNN MILLER  
 LICENSE  
 No. 58705  
*02/17/20*  
 STATE OF FLORIDA  
 PROFESSIONAL ENGINEER  
 A. LYNN MILLER, P.E.  
 P.E.# 58705

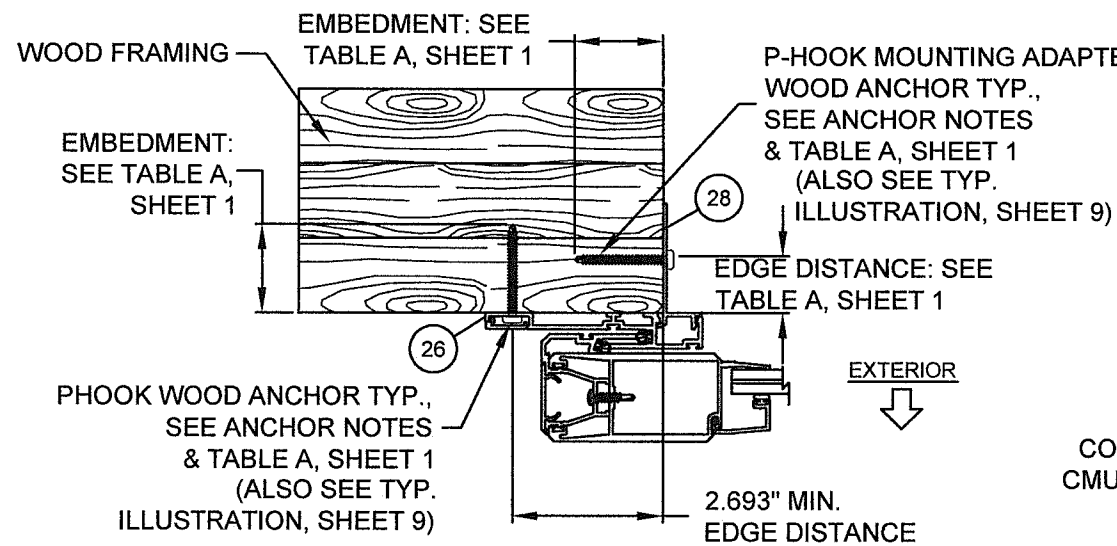
Revised By: JR	Date: 03/26/20	Revisions: D	NO CHANGES THIS SHEET.
Drawn By: JR	Date: 10/10/14	Checked By:	Date:

1070 TECHNOLOGY DRIVE  
 N. VENICE, FL 34275  
 (941) 480-1600  
 REGISTRATION #29296

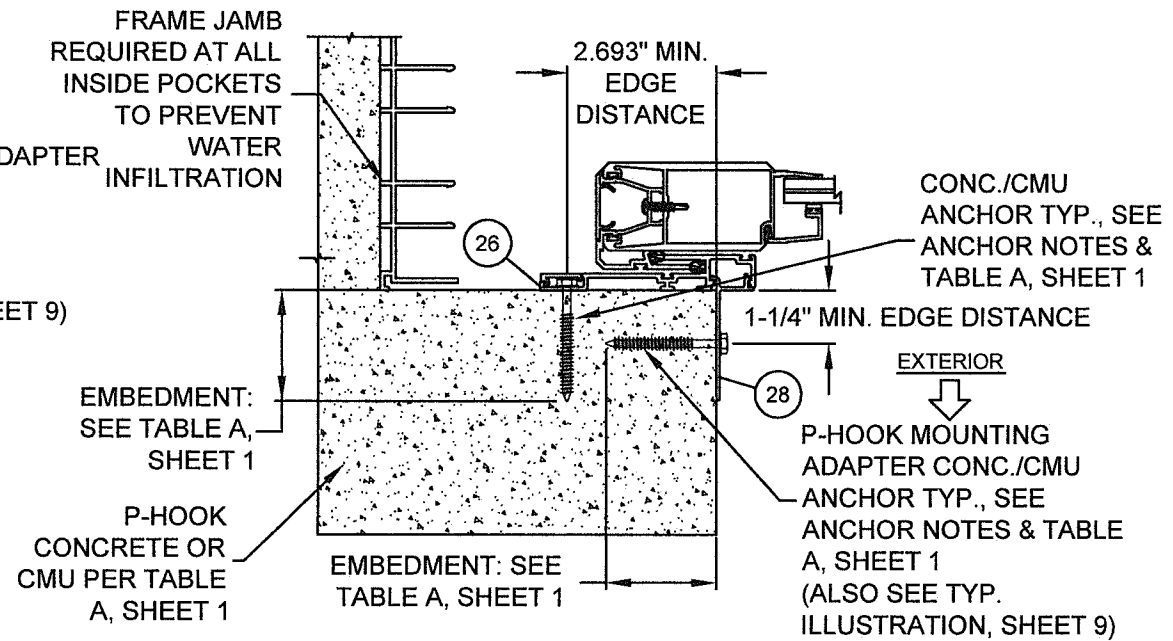


Description: <b>ANCHORAGE DETAILS</b>			
Title: <b>SERIES 770 ALUM. SGD - LM IMPACT</b>			
Series/Model: SGD-770	Scale: NTS	Sheet: 13 of 22	Drawing No. PGT0130
Rev: D			

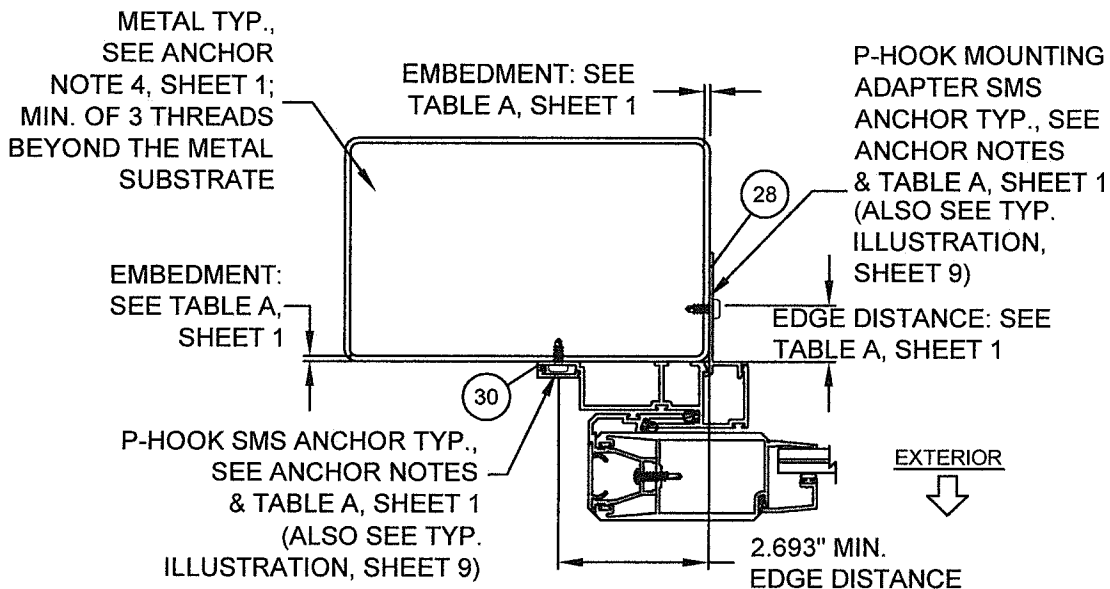
# INSTALLATION DETAILS



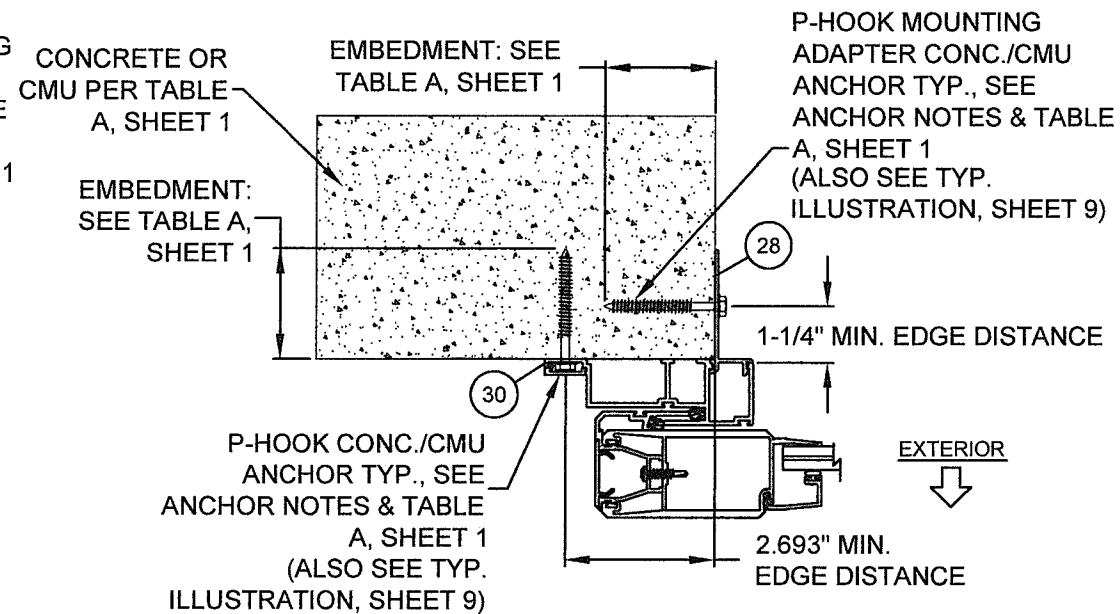
**DET Jw** P-HOOK FOR USE WITH FLAT SILL RISERS  
PARTS #18, #20, #22 OR #24,  
WOOD INSTALLATION  
(SEE TABLES 1A, 2A & 3A  
FOR WATER RATINGS) EXTERIOR MOUNT SHOWN,  
MAY ALSO BE INSTALLED IN  
INTERIOR CONDITION



**DET Jc** P-HOOK FOR USE WITH ANY SILL RISER  
PARTS #18, #20, #22 OR #24,  
CONCRETE/CMU INSTALLATION  
(SEE TABLES 1A, 2A & 3A  
FOR WATER RATINGS) INTERIOR MOUNT SHOWN,  
MAY ALSO BE INSTALLED IN  
EXTERIOR CONDITION



**DET Kw** P-HOOK FOR USE WITH BOX SILL RISERS  
PARTS #19, #21, #23 OR #25,  
METAL INSTALLATION  
(SEE TABLES 1A, 2A & 3A  
FOR WATER RATINGS) EXTERIOR  
MOUNT  
ONLY



**DET Kc** P-HOOK FOR USE WITH BOX SILL RISERS  
PARTS #19, #21, #23 OR #25,  
CONCRETE INSTALLATION  
(SEE TABLES 1A, 2A & 3A  
FOR WATER RATINGS) EXTERIOR  
MOUNT  
ONLY

**NOTES:**  
1. ALL DIMENSIONS SHOWN ARE BASED ON MIN. ALLOWED.

2. FIGURES ON THIS SHEET ARE FOR ILLUSTRATIVE PURPOSES ONLY. SEE TABLE A, SHEET 1 FOR ALL APPROVED SUBSTRATES.

3. SEE TABES 1-3, SHEETS 6-8 FOR REQUIRED P-HOOK AND P-HOOK MOUNTING ADAPTER ANCHOR QUANTITIES. ALSO SEE EXAMPLE ON SHEET 9.

**PRODUCT REVISED**  
as complying with the Florida Building Code  
NOA-No. **20-0429.09**  
Expiration Date: **02/17/2025**  
By: *Shay L. Chanda*  
Miami-Dade Product Control

ANTHONY LYNN MILLER  
LICENSE  
No. 58705  
*02/12/20*  
STATE OF FLORIDA  
PROFESSIONAL ENGINEER  
A. LYNN MILLER, P.E.  
P.E.# 58705

Revised By: JR	Date: 03/26/20	Revisions: D	NO CHANGES THIS SHEET.
Drawn By: JR	Date: 10/10/14	Checked By: Date:	

1070 TECHNOLOGY DRIVE  
N. VENICE, FL 34275  
(941) 480-1600  
REGISTRATION #29296



Description: <b>ANCHORAGE DETAILS</b>			
Title: <b>SERIES 770 ALUM. SGD - LM IMPACT</b>			
Series/Model: SGD-770	Scale: NTS	Sheet: 14 of 22	Drawing No. PGT0130
Rev:	D		



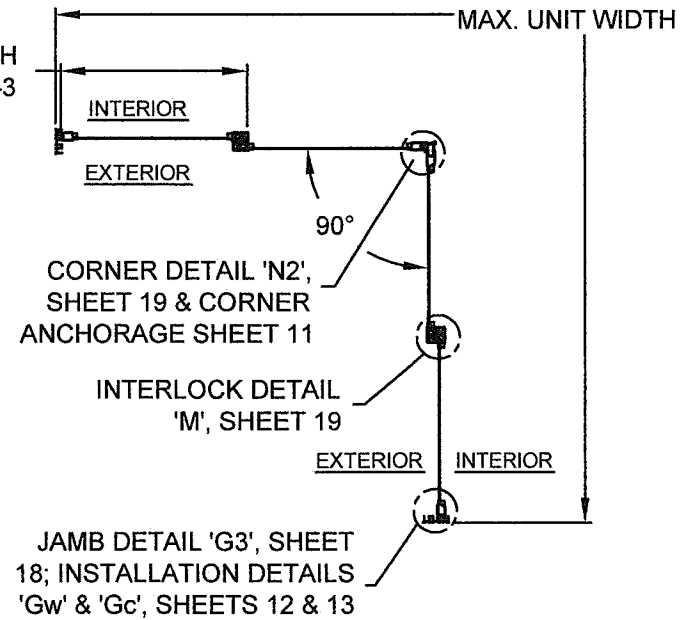
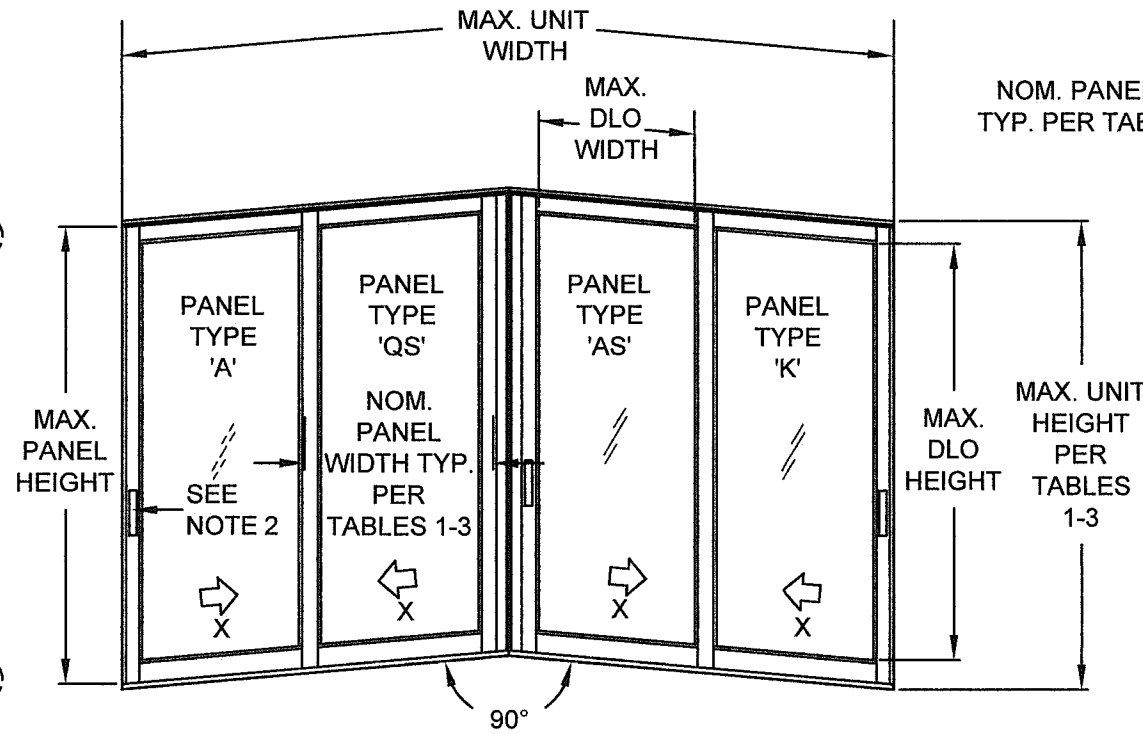
**CONFIG. EXAMPLES**

**NOTES:**

- 1) SEE SHEET 17 FOR INDIVIDUAL PANEL CONFIGURATIONS AS APPLICABLE. SEE DP/ANCHOR TABLES, SHEETS 6-8 FOR MAX. PANEL HEIGHT AND WIDTH. SEE SHEETS 18 & 19 FOR SECTION DETAILS AND SHEETS 12-14 FOR INSTALLATION DETAILS.
- 2) (1) LOCK (ITEMS 75 & 107-110) AT EACH LOCKSTILE, LOCKING INTO KEEPER (ITEM 103) AT FRAME JAMB OR ASTRAGAL.
- 3) PLEASE SEE APPLICABLE ASTRAGAL & INTERLOCK COMBINATIONS PER DP/ANCHOR TABLES.

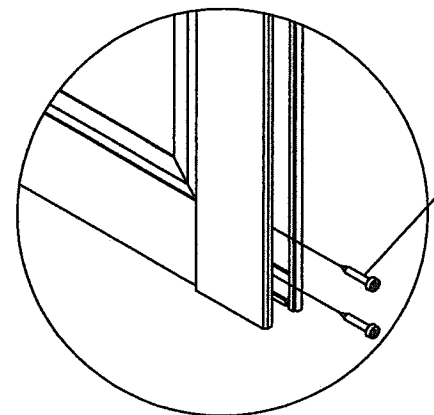
HEADER DETAIL 'A', SHEET 18; INSTALLATION DETAILS 'Aw' & 'Ac', SHEETS 12 & 13

SILL DETAIL 'D', SHEET 18; INSTALLATION DETAILS 'Dw' & 'Dc', SHEETS 12 & 13

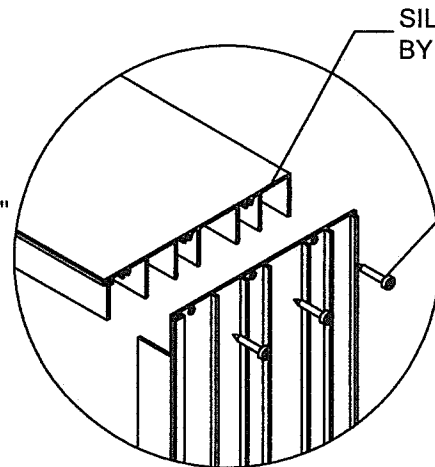


DLO WIDTH = NOM. PANEL WIDTH - 7"  
 DLO HEIGHT = DOOR UNIT HEIGHT - 10.125"  
 PANEL HEIGHT = DOOR UNIT HEIGHT - 1.866"

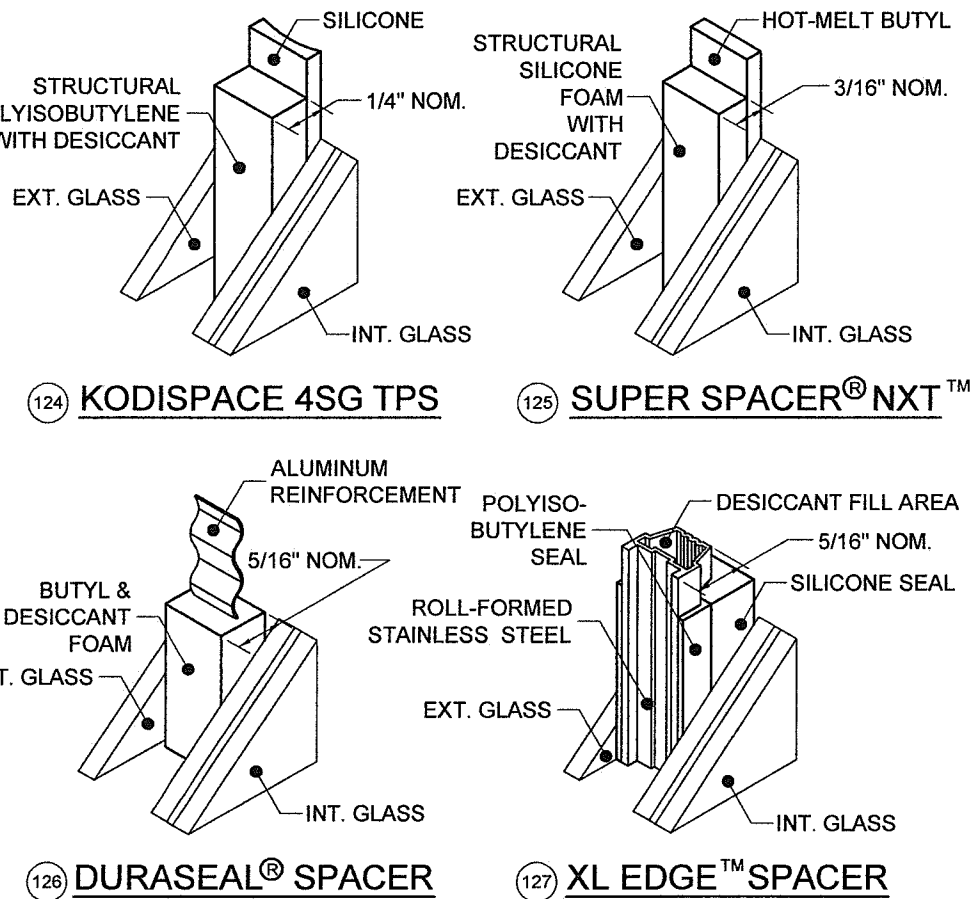
**EXAMPLE: 90° INSIDE CORNER, 4 PANELS - XX/XX**



**PANEL CORNER DETAIL**



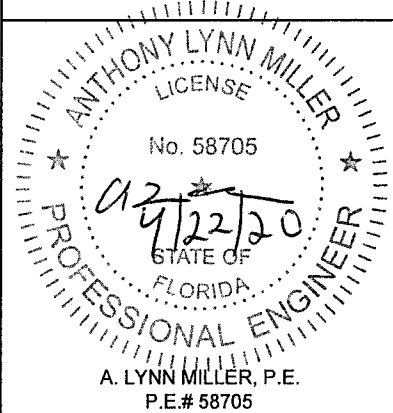
**FRAME CORNER DETAIL**



Part #	Description	Material
124	Kommerling 4SG TPS Spacer System	See this Sheet for Materials
125	Quanex Super Spacer nXT with Hot Melt Butyl	
126	Quanex Duraseal Spacer	
127	Cardinal XL Edge Spacer	

REFERENCE TEST REPORTS: FTL-8717, 8968 & 8970

**PRODUCT REVISED**  
 as complying with the Florida Building Code  
 NOA-No. **20-0429.09**  
 Expiration Date: **02/17/2025**  
 By: Isaac I. Chan  
 Miami-Dade Product Control



Revised By: JR	Date: 03/26/20	Revisions: D	NO CHANGES THIS SHEET.
Drawn By: JR	Date: 10/10/14	Checked By:	Date:

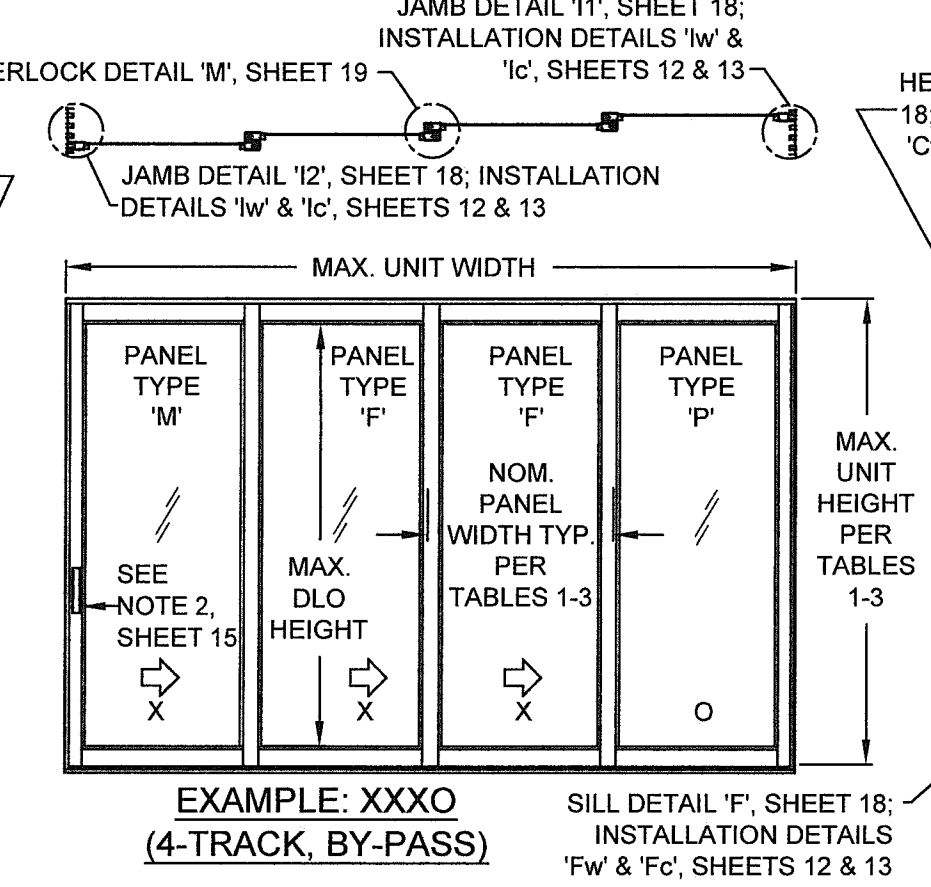
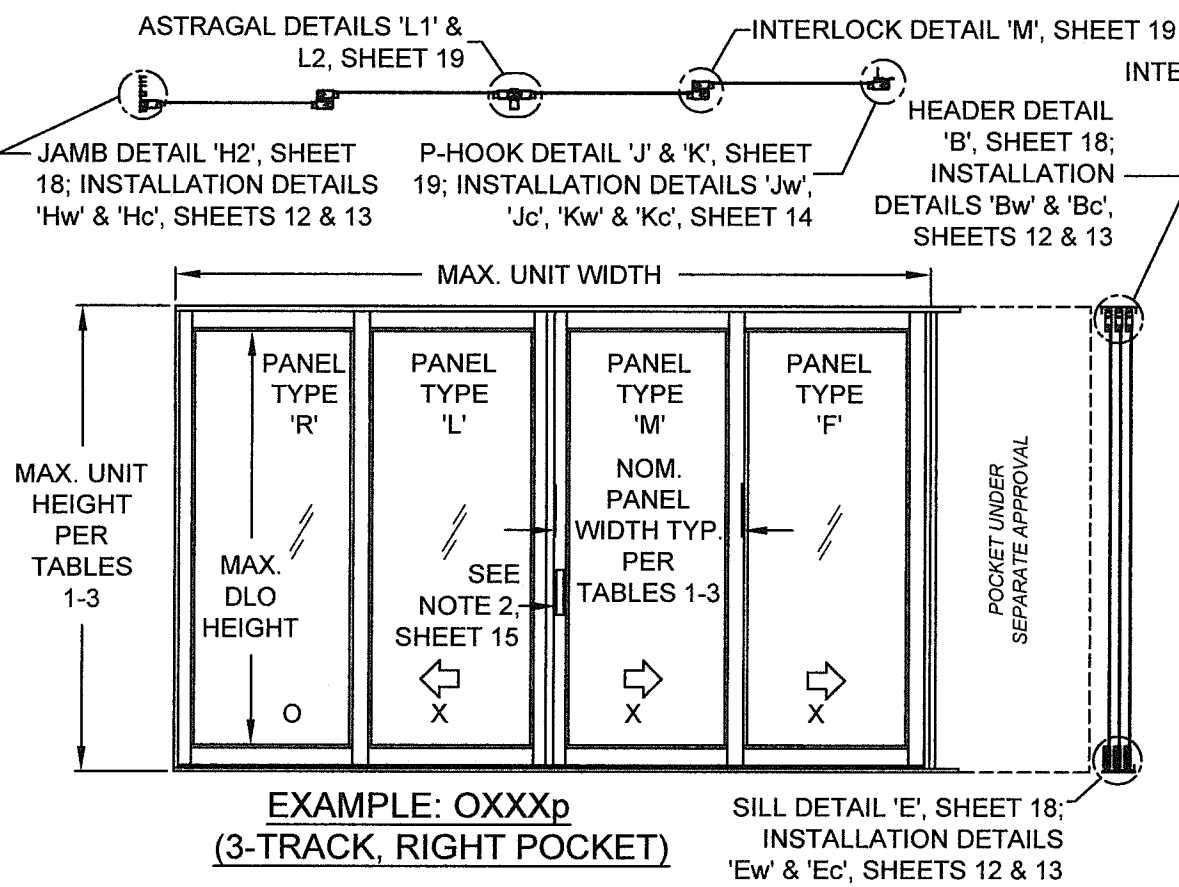
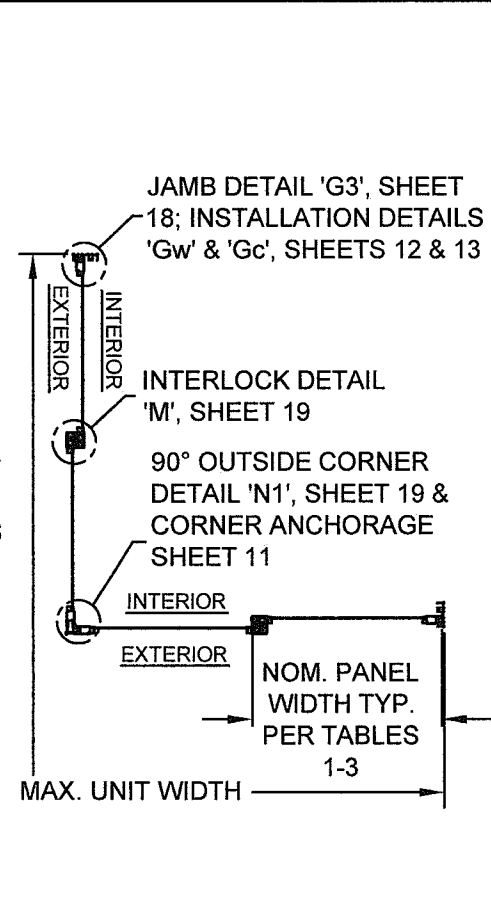
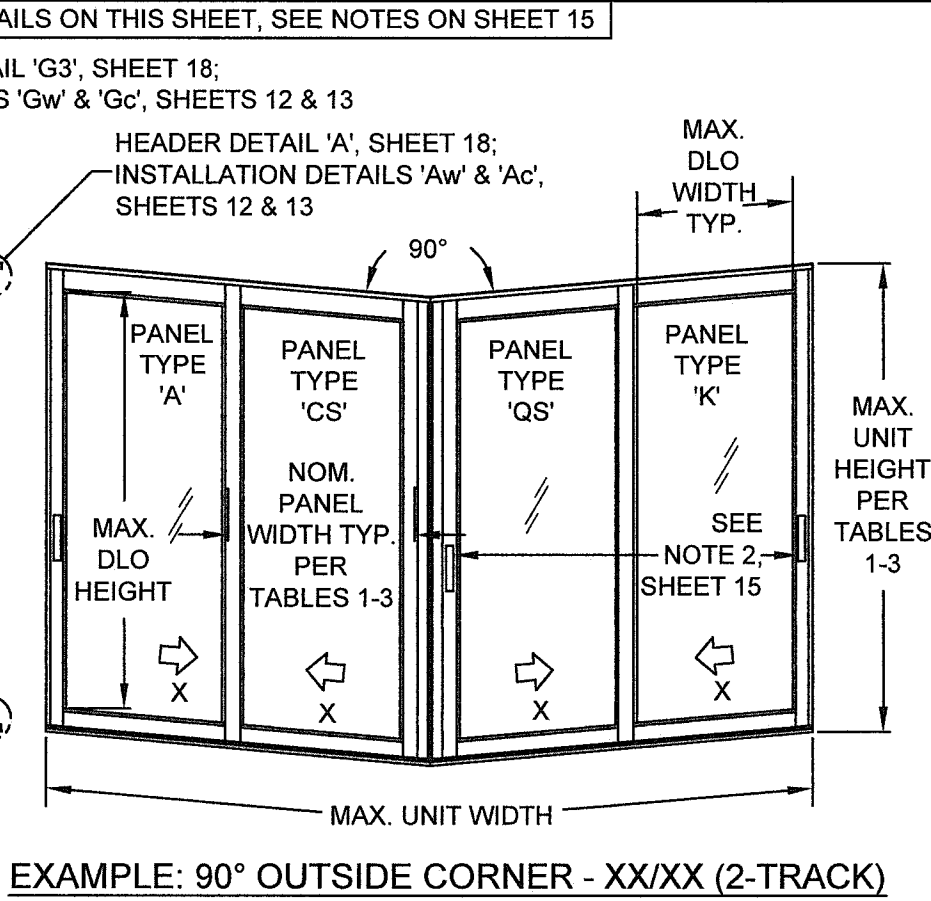
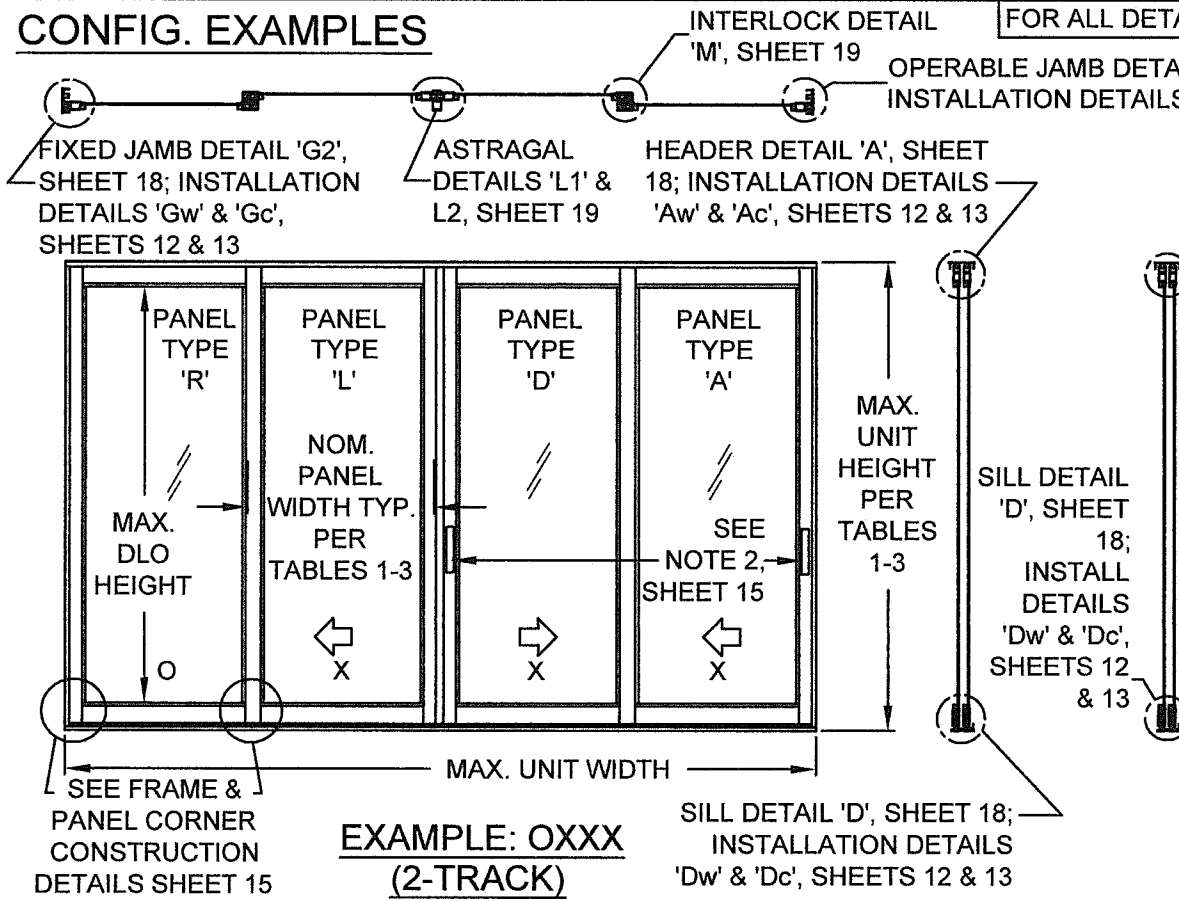
1070 TECHNOLOGY DRIVE  
 N. VENICE, FL 34275  
 (941) 480-1600  
 REGISTRATION #29296



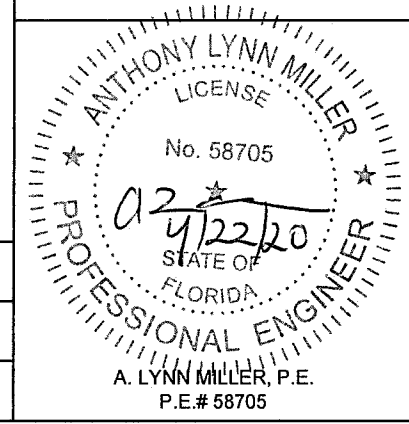
Description: <b>ANCHORAGE DETAILS / EXAMPLE ELEVATION</b>			
Title: <b>SERIES 770 ALUM. SGD - LM IMPACT</b>			
Series/Model: SGD-770	Scale: NTS	Sheet: 15 of 22	Drawing No. PGT0130
Rev: D			

**CONFIG. EXAMPLES**

FOR ALL DETAILS ON THIS SHEET, SEE NOTES ON SHEET 15

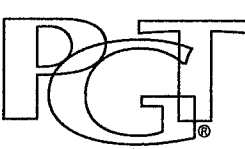


**PRODUCT REVISED**  
 as complying with the Florida Building Code  
 NOA-No. **20-0429.09**  
 Expiration Date: **02/17/2025**  
 By: Ismael L. Chan  
 Miami-Dade Product Control



Revised By: JR	Date: 03/26/20	Revisions: D	NO CHANGES THIS SHEET.
Drawn By: JR	Date: 10/10/14	Checked By:	Date:

1070 TECHNOLOGY DRIVE  
 N. VENICE, FL 34275  
 (941) 480-1600  
 REGISTRATION #29296

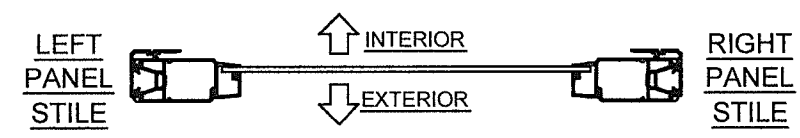


Description: <b>EXAMPLE ELEVATIONS</b>			
Title: <b>SERIES 770 ALUM. SGD - LM IMPACT</b>			
Series/Model: SGD-770	Scale: NTS	Sheet: 16 of 22	Drawing No. PGT0130
Rev: D			



PANEL TYPES		PANEL'S RIGHT STILE TYPE														
		SINGLE INTERLOCK OUT	SINGLE INTERLOCK IN	FIXED STILE	LOCKSTILE W/ HANDLE	ASTRAGAL BOX OUT	ASTRAGAL BOX IN	ASTRAGAL BOX OUT W/ HANDLE	ASTRAGAL BOX IN W/ HANDLE	INT CORNER 90 LOCKSTILE W/ HANDLE #120	EXT CORNER 90 LOCKSTILE W/ HANDLE #119	EXT CORNER 90 RECEIVER W/ HANDLE #61 #118	INT CORNER 90 RECEIVER W/ HANDLE #61 #118	EXT CORNER 90 RECEIVER #61 #118	EXT CORNER 135 RECEIVER W/ HANDLE #61 #31	INT CORNER 135 RECEIVER W/ HANDLE #61 #31
SINGLE INTERLOCK OUT			F	PP	K			L (BOX OUT)		TR	TQ	TC	TA		TV	TW
SINGLE INTERLOCK IN		B	E	P	A			C (BOX OUT)	C (BOX IN)	IC	SQ	SC	SA		SV	SW
FIXED STILE		RR	R					S (BOX OUT)	S (BOX IN)				FD	FC	FV	FW
LOCKSTILE W/ HANDLE		D	M					J (BOX OUT)	J (BOX IN)							
ASTRAGAL BOX OUT W/ HANDLE		LR (BOX OUT)														
ASTRAGAL BOX IN W/ HANDLE			N (BOX IN)													
ASTRAGAL BOX OUT				T (BOX OUT)	U (BOX OUT)											
ASTRAGAL BOX IN				T (BOX IN)	U (BOX IN)											
INT CORNER 90 LOCKSTILE W/ HANDLE #120		RT	CI													
EXT CORNER 90 LOCKSTILE W/ HANDLE #119		QT	QS													
EXT CORNER 90 RECEIVER W/ HANDLE #61 #118		CT	CS													
INT CORNER 90 RECEIVER W/ HANDLE #61 #118		AT	AS	DF												
EXT CORNER 90 RECEIVER #61 #118				CF												
EXT CORNER 135 RECEIVER W/ HANDLE #61 #31		VT	VS	VF												
INT CORNER 135 RECEIVER W/ HANDLE #61 #31		WT	WS	WF												

PANEL'S LEFT STILE TYPE

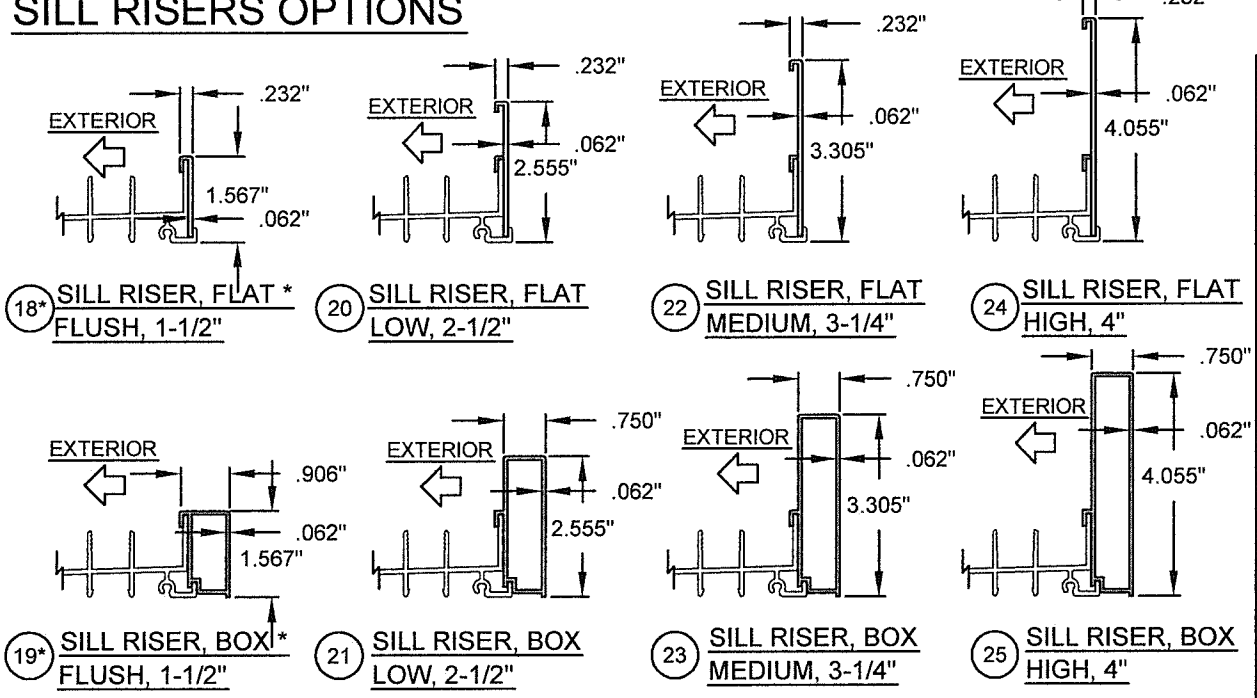


PANEL "E" SHOWN. SEE TABLE FOR OTHER PANEL TYPES AND APPLICABLE STILE/ASTRAGAL REQUIREMENTS.

**PANEL NOTES:**

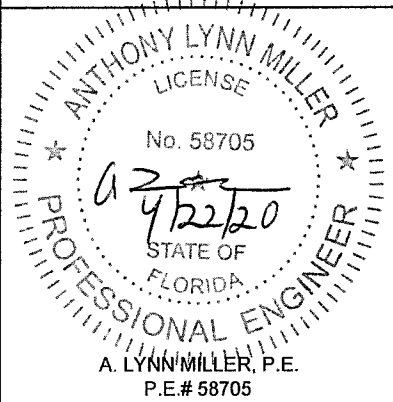
- SEE DP TABLES 1-3, SHEETS 6-8 FOR PANEL SIZES & DESIGN PRESSURE.
- PANEL TYPES NOT SHOWN OR CROSSED OFF ARE NOT REQUIRED FOR ANY CONFIGURATIONS AND ARE NOT AVAILABLE.
- 90° ASTRAGALS TO USE HEAVY-DUTY STILES (#61), CORNER RECEIVER (#118) AND EITHER EXTERIOR (#119) OR INTERIOR (#120) CORNER ASTRAGALS.
- 135° ASTRAGALS TO USE HEAVY-DUTY STILES (#61) AND CORNER ADDON (#31).

**SILL RISERS OPTIONS**



\* NOT VALID FOR WATER INFILTRATION RESISTANCE REQUIREMENTS, SEE SHEETS 6-8

**PRODUCT REVISED**  
as complying with the Florida Building Code  
NOA-No. **20-0429.09**  
Expiration Date: **02/17/2025**  
By: Shang L. Chan  
Miami-Dade Product Control



Revsd By: JR	Date: 03/26/20	Revisions: D	NO CHANGES THIS SHEET.
Drawn By: JR	Date: 10/10/14	Checked By:	Date:

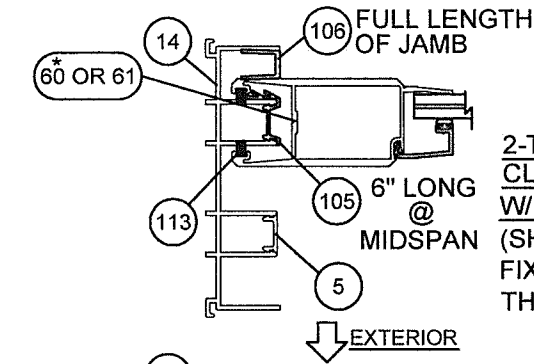
1070 TECHNOLOGY DRIVE  
N. VENICE, FL 34275  
(941) 480-1600  
REGISTRATION #29296



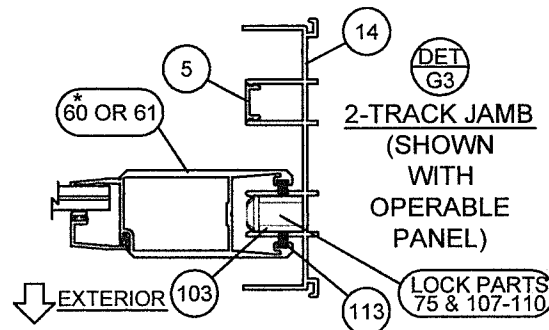
Description: <b>PANEL TYPES</b>			
Title: <b>SERIES 770 ALUM. SGD - LM IMPACT</b>			
Series/Model: SGD-770	Scale: NTS	Sheet: 17 of 22	Drawing No. PGT0130
			Rev: D

# ASSEMBLY DETAILS

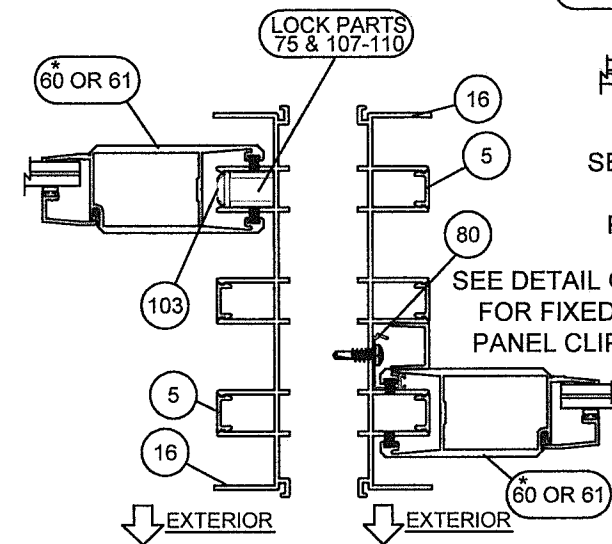
(SEE SHEETS 12-14 FOR FOR INSTALLATION DETAILS)



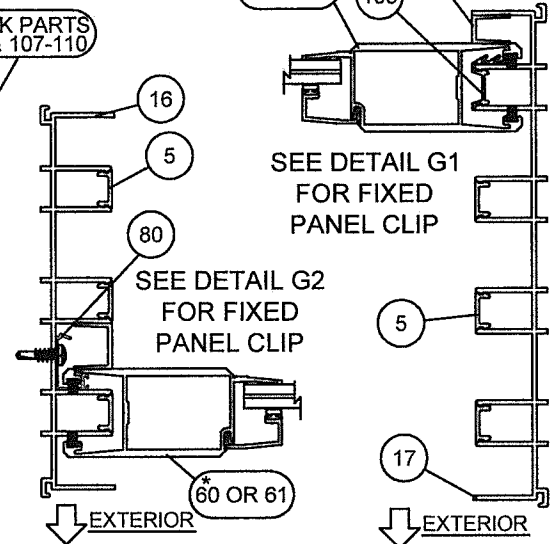
**DET G1**  
2-TRACK JAMB  
CLIP #105  
W/ RETAINER #106  
(SHOWN WITH  
FIXED PANEL TO  
THE INTERIOR)



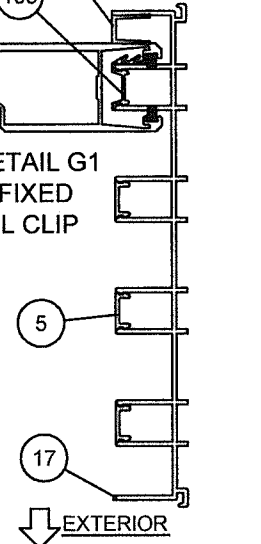
**DET G3**  
2-TRACK JAMB  
(SHOWN WITH  
OPERABLE  
PANEL)



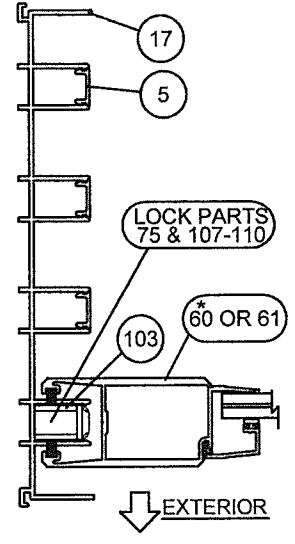
**DET H1**  
3-TRACK JAMB  
(SHOWN WITH  
OPERABLE PANEL)



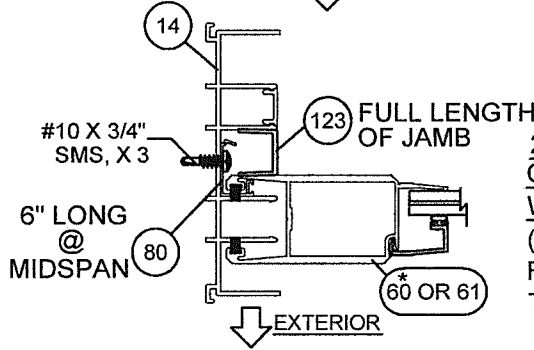
**DET H2**  
3-TRACK JAMB  
(SHOWN WITH  
FIXED PANEL TO  
THE EXTERIOR)



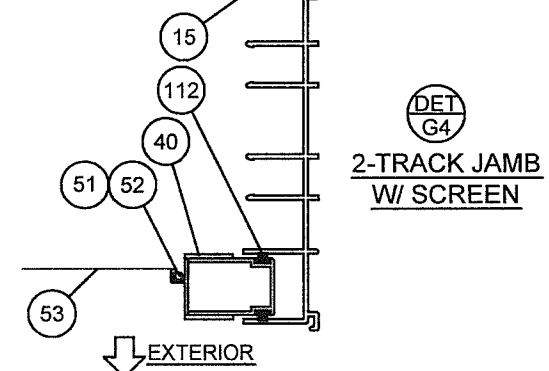
**DET I1**  
4-TRACK JAMB  
(SHOWN WITH  
FIXED PANEL TO  
THE INTERIOR)



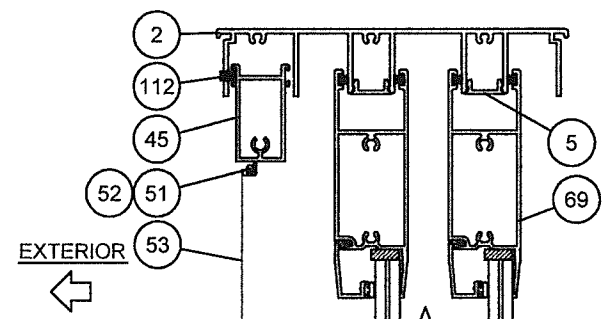
**DET I2**  
4-TRACK JAMB  
(SHOWN WITH  
OPERABLE PANEL)



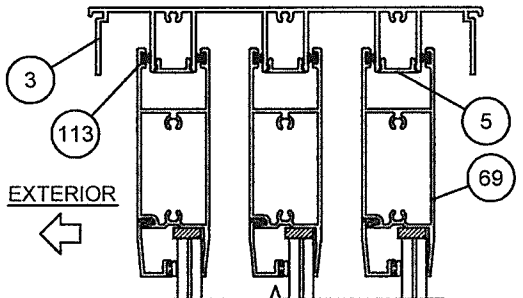
**DET G2**  
2-TRACK JAMB  
CLIP #80 OR #105  
W/ RETAINER #123  
(SHOWN WITH  
FIXED PANEL TO  
THE EXTERIOR)



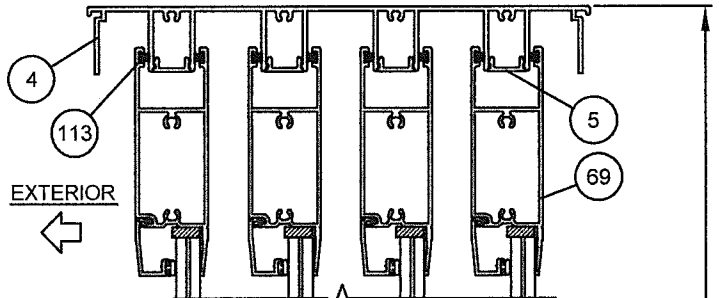
**DET G4**  
2-TRACK JAMB  
W/ SCREEN



**DET A**  
2-TRACK W/SCREEN  
FRAME HEAD  
SHOWN WITH  
OPT. SCREEN  
TRACK

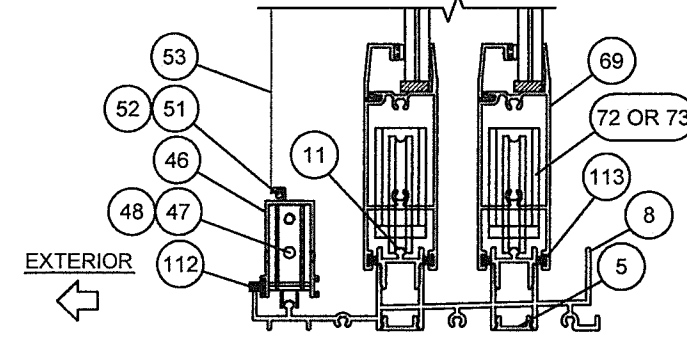


**DET B**  
3-TRACK  
FRAME HEAD

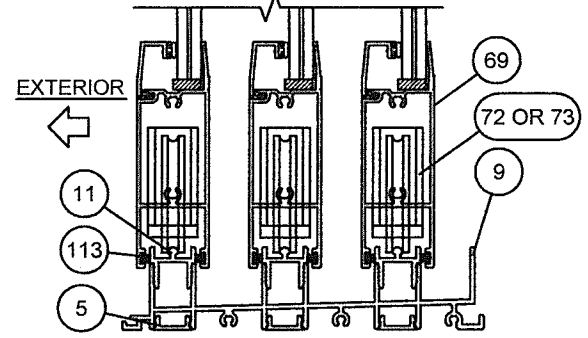


**DET C**  
4-TRACK  
FRAME HEAD

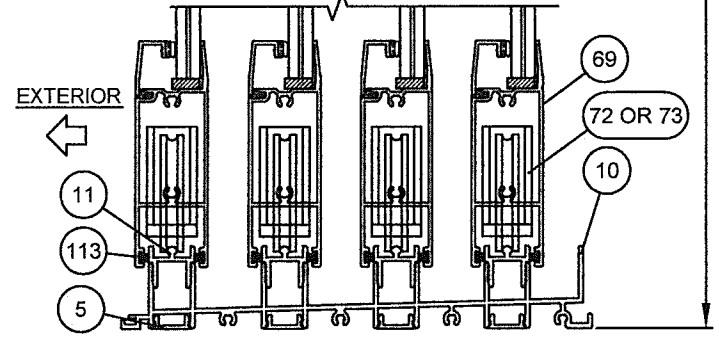
MAX. UNIT  
HEIGHT PER  
TABLES 1-3



**DET D**  
2-TRACK W/SCREEN  
FRAME SILL



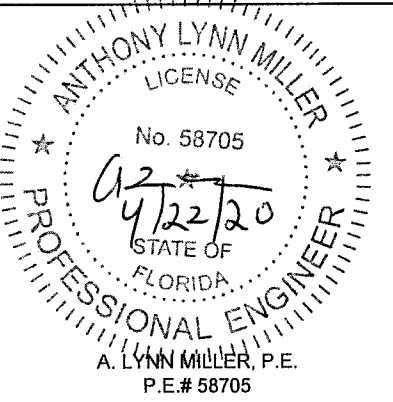
**DET E**  
3-TRACK  
FRAME SILL



**DET F**  
4-TRACK  
FRAME SILL

\* ITEM 61 SHOWN, ITEM 60 ALSO APPLICABLE, SEE TABLES 1-3, SHEETS 6-8 FOR DP (PSF) ASSOCIATED WITH STILE.

**PRODUCT REVISED**  
as complying with the Florida  
Building Code  
NOA-No. **20-0429.09**  
Expiration Date: **02/17/2025**  
By: Ishtag I. Chande  
Miami-Dade Product Control



Revised By: JR	Date: 03/26/20	Revisions: D	NO CHANGES THIS SHEET.
Drawn By: JR	Date: 10/10/14	Checked By:	Date:

1070 TECHNOLOGY DRIVE  
N. VENICE, FL 34275  
(941) 480-1600  
REGISTRATION #29296

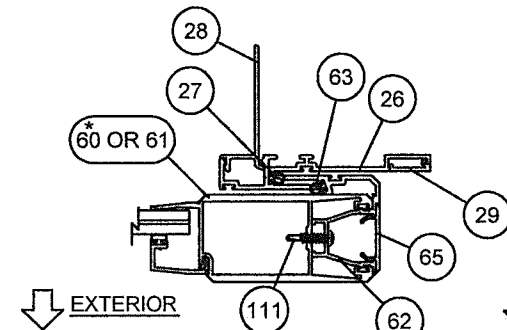


Description: <b>VERTICAL SECTION DETAILS</b>			
Title: <b>SERIES 770 ALUM. SGD - LM IMPACT</b>			
Series/Model: SGD-770	Scale: NTS	Sheet: 18 of 22	Drawing No. PGT0130
			Rev: D

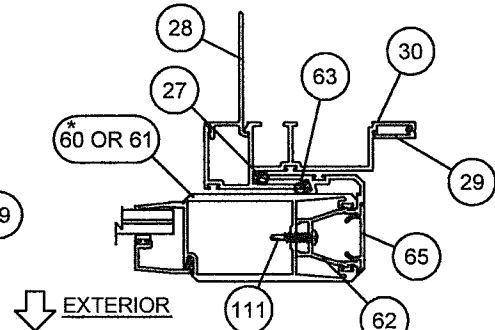


# ASSEMBLY DETAILS

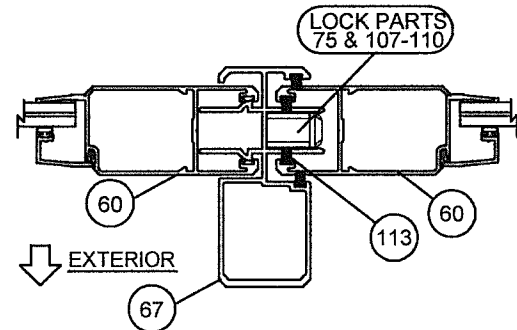
(SEE SHEETS 12-14 FOR FOR INSTALLATION DETAILS)



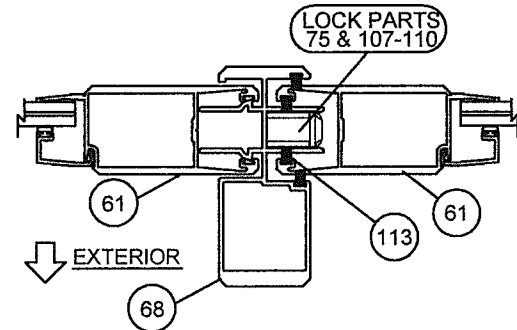
DET J P-HOOK FOR FLAT SILLS  
(EXT. OR INT. MOUNT)



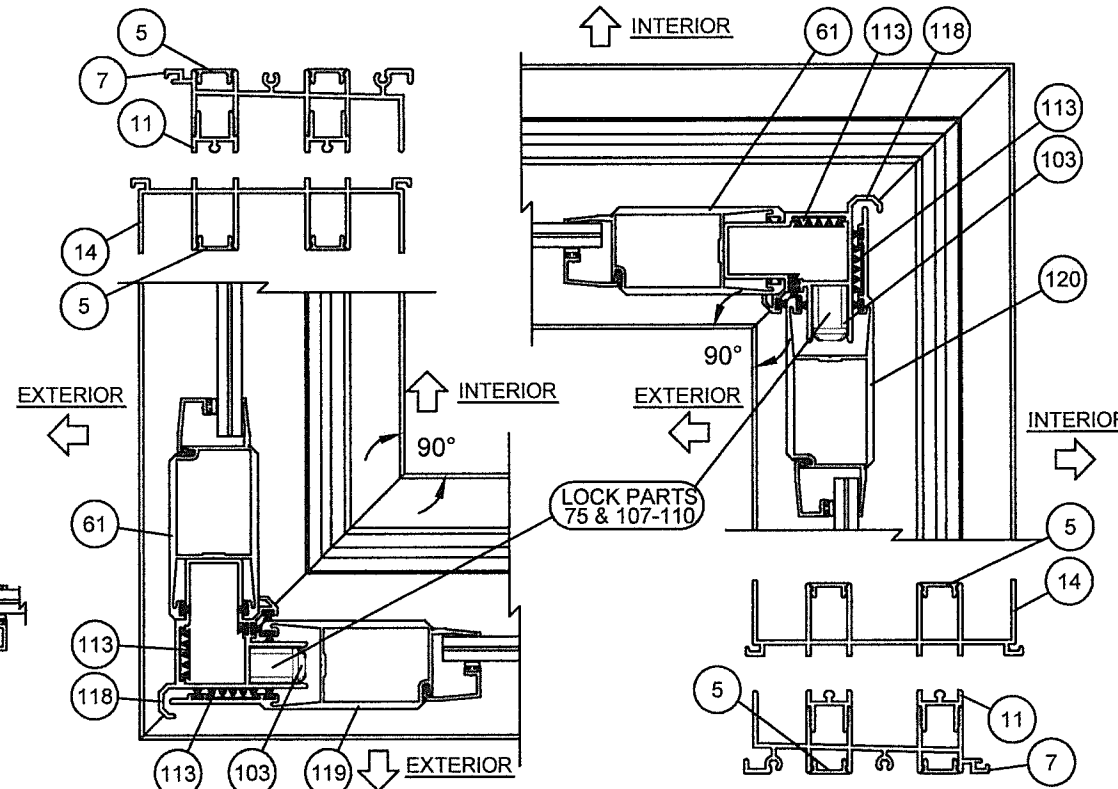
DET K P-HOOK FOR BOX SILLS  
EXT. MOUNT ONLY



DET L1 STANDARD ASTRAGAL #67  
WITH STANDARD STILES #60  
EXTERIOR BOX ASTRAGAL SHOWN  
(BOX-OUT) MAY ALSO BE INSTALLED  
TOWARDS INTERIOR (BOX-IN)

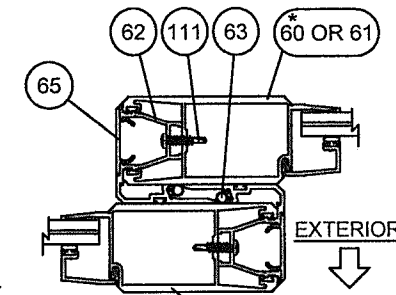


DET L2 HEAVY-DUTY ASTRAGAL #68  
WITH HEAVY-DUTY STILES #61  
EXTERIOR BOX ASTRAGAL SHOWN  
(BOX-OUT) MAY ALSO BE INSTALLED  
TOWARDS INTERIOR (BOX-IN)



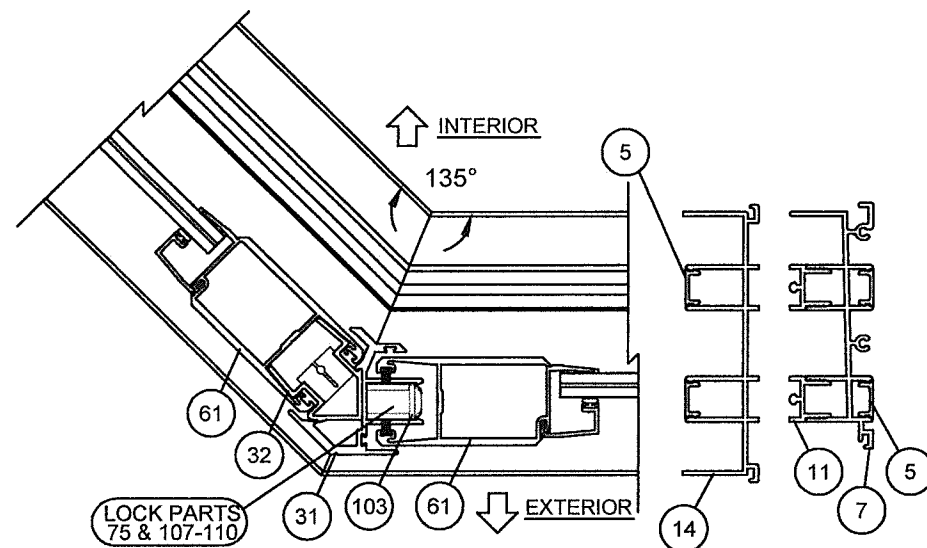
DET N1 90° OUTSIDE CORNER  
2-TRACK SHOWN

DET N2 90° INSIDE CORNER  
2-TRACK SHOWN

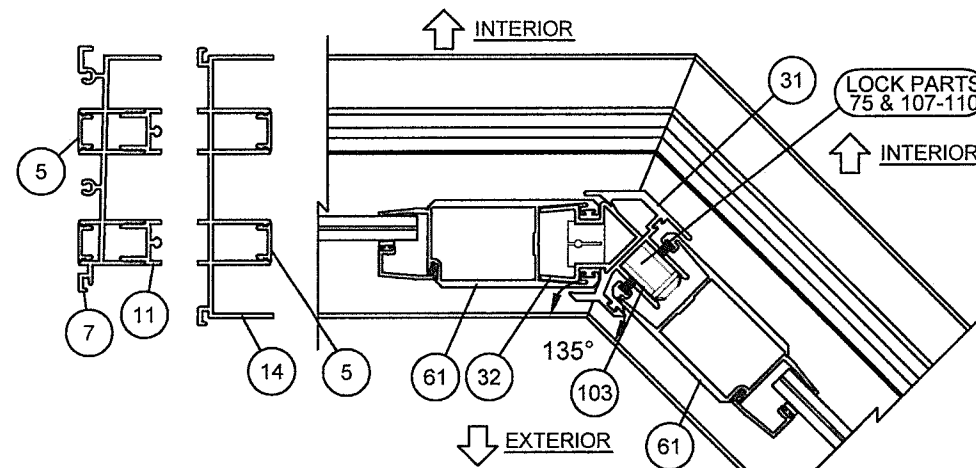


DET M INTERLOCK

\* ITEM #61 (HEAVY-DUTY STILE) SHOWN, ITEM #60 (STANDARD STILE) ALSO APPLICABLE, SEE TABLES 1-3, SHEETS 6-8 FOR DP (PSF) ASSOCIATED WITH STILES.



DET O1 135° OUTSIDE CORNER  
2-TRACK SHOWN



DET O2 135° INSIDE CORNER  
2-TRACK SHOWN

**PRODUCT REVISED**  
as complying with the Florida Building Code  
NOA-No. **20-0429.09**  
Expiration Date: **02/17/2025**  
By: Isang I. Chank  
Miami-Dade Product Control

ANTHONY LYNN MILLER  
LICENSE  
No. 58705  
02/17/2020  
STATE OF FLORIDA  
PROFESSIONAL ENGINEER  
A. LYNN MILLER, P.E.  
P.E.# 58705

Revsd By: JR	Date: 03/26/20	Revisions: D	NO CHANGES THIS SHEET.
Drawn By: JR	Date: 10/10/14	Checked By:	Date:

1070 TECHNOLOGY DRIVE  
N. VENICE, FL 34275  
(941) 480-1600  
REGISTRATION #29296



Description: <b>HORIZONTAL SECTION DETAILS, CORNERS</b>			
Title: <b>SERIES 770 ALUM. SGD - LM IMPACT</b>			
Series/Model: SGD-770	Scale: NTS	Sheet: 19 of 22	Drawing No. PGT0130
Rev: D			

TABLE 4:

Item	PGT Dwg. #	PGT #	Description
1	17306	617306	2-TRACK HEAD
2	17303	617303	2-TRACK HEAD WITH SCREEN RAIL
3	17309	617309	3-TRACK HEAD
4	17312	617312	4-TRACK HEAD
5	17314	617314	FRAME SCREW COVER
6	17317	617317	FRAME HEAD/JAMB ADD-ON
7	17304	617304	2-TRACK SILL
8	17301	617301	2-TRACK SILL WITH SCREEN RAIL
9	17307	617307	3-TRACK SILL
10	17310	617310	4-TRACK SILL
11	17313	617313	FRAME SILL TRACK INSERT
12	17315	617315	FRAME SILL SCREEN ADD-ON (SEE NOTE 3)
13	17316	617316	FRAME SILL SCREEN END ADD-ON (SEE NOTE 3)
14	17305	617305	2-TRACK JAMB
15	17302	617302	2-TRACK JAMB WITH SCREEN RAIL
16	17308	617308	3-TRACK JAMB
17	17311	617311	4-TRACK JAMB
18	17322	617322	SILL RISER - FLAT, FLUSH, 1-1/2"
19	17319	617319	SILL RISER - BOX, FLUSH, 1-1/2"
20	17321	617321	SILL RISER - FLAT, LOW, 2-1/2"
21	17318	617318	SILL RISER - BOX, LOW, 2-1/2"
22	17355	617355	SILL RISER - FLAT, MEDIUM, 3-1/4"
23	17354	617354	SILL RISER - BOX, MEDIUM, 3-1/4"
24	17323	617323	SILL RISER - FLAT, HIGH, 4"
25	17320	617320	SILL RISER - BOX, HIGH, 4"
26	17333	617333	POCKET P-HOOK
27	7070	67070	NEOPRENE BULB WSTP FOR P-HOOK
28	17334	617334	POCKET P-HOOK MOUNT
29	17335	617335	P-HOOK COVER
30	17348	617348	POCKET P-HOOK FOR BOX RISER
31	17378	617378	135 CORNER
32	17376	617376	135 FIXED MOUNT
ITEMS 40-53 ARE SCREEN PARTS:			
40	4319	612258	SCREEN SIDE RAIL - LOCKSTILE
41		7LOCKWGSK	SCREEN LOCKSET
42		41818	SCREEN KEEPER SPACER SET
43	8152	68152	SCREEN INTERLOCK ADAPTER
44	4428	64428	SCREEN DOUBLE INTERLOCK
45	4317	612256	SCREEN TOP RAIL
46	4318	612257	SCREEN BOTTOM RAIL

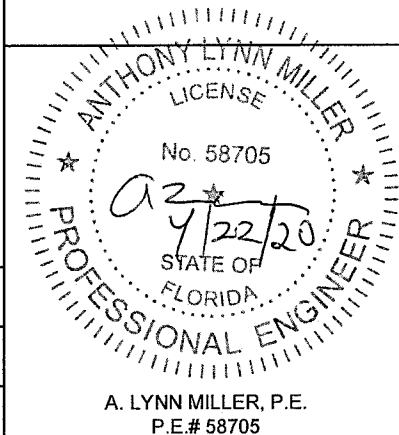
TABLE 5:

Material	Min. F <sub>y</sub>	Min. F <sub>u</sub>
#12 Steel Screw	92 ksi	120 ksi
#12 18-8 Screw	60 ksi	95 ksi
#12 410 Screw	90 ksi	110 ksi
1/4" DeWalt/Elco Aggre-Gator®	57 ksi	96 ksi
1/4" Elco UltraCon®	155 ksi	177 ksi
1/4" DeWalt UltraCon+®	148 ksi	164 ksi
1/4" 410 SS DeWalt/Elco CreteFlex®	127.4 ksi	189.7 ksi
6063-T5 Aluminum	16 ksi	22 ksi
A36 Steel	36 ksi	58 ksi
Gr. 33 Steel Stud	33 ksi	45 ksi

Item	PGT Dwg. #	PGT #	Description
47	668	7SRAZ	STANDARD ROLLER
48	668	7SRAX	STANDARD ROLLER - ST. STL.
49	4344	64344	SCREEN ASTRAGAL
50	17349	617349	OXO SCREEN ASTRAGAL ADAPTER
51	1692	61692	SCREEN SPLINE - .165"
52	1694	61694	SCREEN SPLINE - .150"
53		61816C20	SCREEN CLOTH
54	1725		1/2" X 4" X 1/16" SET. BLOCK, NEOPRENE 85 +/-5
55	1726		1" X 4" X 1/16" SET. BLOCK, NEOPRENE 85 +/-5
60	17325	617325	PANEL STILE
61	17326	617326	PANEL STILE (HEAVY DUTY)
62	17327	617327	INTERLOCK ADAPTOR
63	1225	6TP248	VINYL BULB WSTP. - THIN (INSIDE INTERLOCK)
64	1729	71729	SILL END WEATHERSTRIP PAD
65	17328	617328	INTERLOCK SCREW COVER
67	17329	617329	ASTRAGAL
68	17339	617339	HEAVY DUTY ASTRAGAL
69	17324	617324	TOP & BOTTOM RAIL
70	17350	417350	WEATHERSTRIP EXTENSION (INJECTION MOLDED)
71	1695	71695	1-1/2" X 1" X 3/4" HIGH FIN SEAL DUST PLUGS
72	8153	78153X	TANDEM ST. STL. ROLLER ASSY.
73	8153	78153N	TANDEM NYLON ROLLER ASSY.
74		SILICONE	DOW-791, 899, 983, 995 OR GE-7700
75	8185	78185X	GEMINI MORTICE 3-PLY DUAL LOCK W/LONG TRIM PLATE
76		71032X1FPPX	#10-32 X 1" FL. SS SCREW W/ TYPE "F" TIP
77		7103239	10-32 STEEL ZINC U-NUT
79	17357	617357	1" IG BEAD
80	17359	617359	7/16" BEAD / FIXED PANEL CLIP
81	17360	617360	9/16" BEAD
82	1224	6TP247K	VINYL BULB WEATHERSTRIP
83	61745	1745	LOWE INC, 1/2" X 1/16" SGL. SIDE ADH. TAPE, POLYETH.
100	8052	48052	ROLLER ADJ. HOLE PLUG
101		72087	JAMB BUMPER
102	1696	71696	DUST PLUG
103	8186	78186X	1" KEEPER
104	653	7SDKEEP	SCREEN LOCK KEEPER
105	17344	617344	FIXED PANEL CLIP - 6" LONG
106	17352	617352	FIXED PANEL RETAINER - 9/16"
107	1739	71739	HANDLE KIT - INTERIOR RAISED WITH THUMB TURN
108	1740	71740	HANDLE KIT - RAISED EXTERIOR HANDLE
109	1731	78162SN	HANDLE KIT - RECESSED INTERIOR WITH THUMB TURN
110	1732	78178	HANDLE KIT - RECESSED EXTERIOR PULL
111		710X34PPSDAX	#10 X 3/4" PH. PN. TEK - S.S.
112	1235	67S16	WSTP, .270 X .170 - FIN SEAL
113	1712	64066	.187" X .230" FINSEAL
114		710X115PPX	#10 X 1-1/2"
115		710XPPT	#10 X 1"
116		720X1X	#14-20 X 1" S.S.
117		720X112X	#14-20 X 1-1/2" S.S.
118	17336	617336	90 DEGREE CORNER RECEIVER
119	17337	617337	90 DEGREE OUTSIDE CORNER ASTRAGAL
120	17338	6117338	90 DEGREE INSIDE CORNER ASTRAGAL
123	17352	617352	FIXED PANEL RETAINER, 7/8"

NOTES:  
 1) ALL ALUMINUM = 6063-T6  
 2) ITEMS # 33-39, 56-59, 66, 78, 84-99, 121 & 122 ARE NOT USED AND ARE NOT PART OF THIS APPROVAL.  
 3) USE OF #12 OR #13 REQUIRES MIN. #10 SMS OR 3/16" MASONRY ANCHORS @ 24" MAX. O.C.

**PRODUCT REVISED**  
 as complying with the Florida Building Code  
 NOA-No. **20-0429.09**  
 Expiration Date: **02/17/2025**  
 By: Isang I. Chan  
 Miami-Dade Product Control

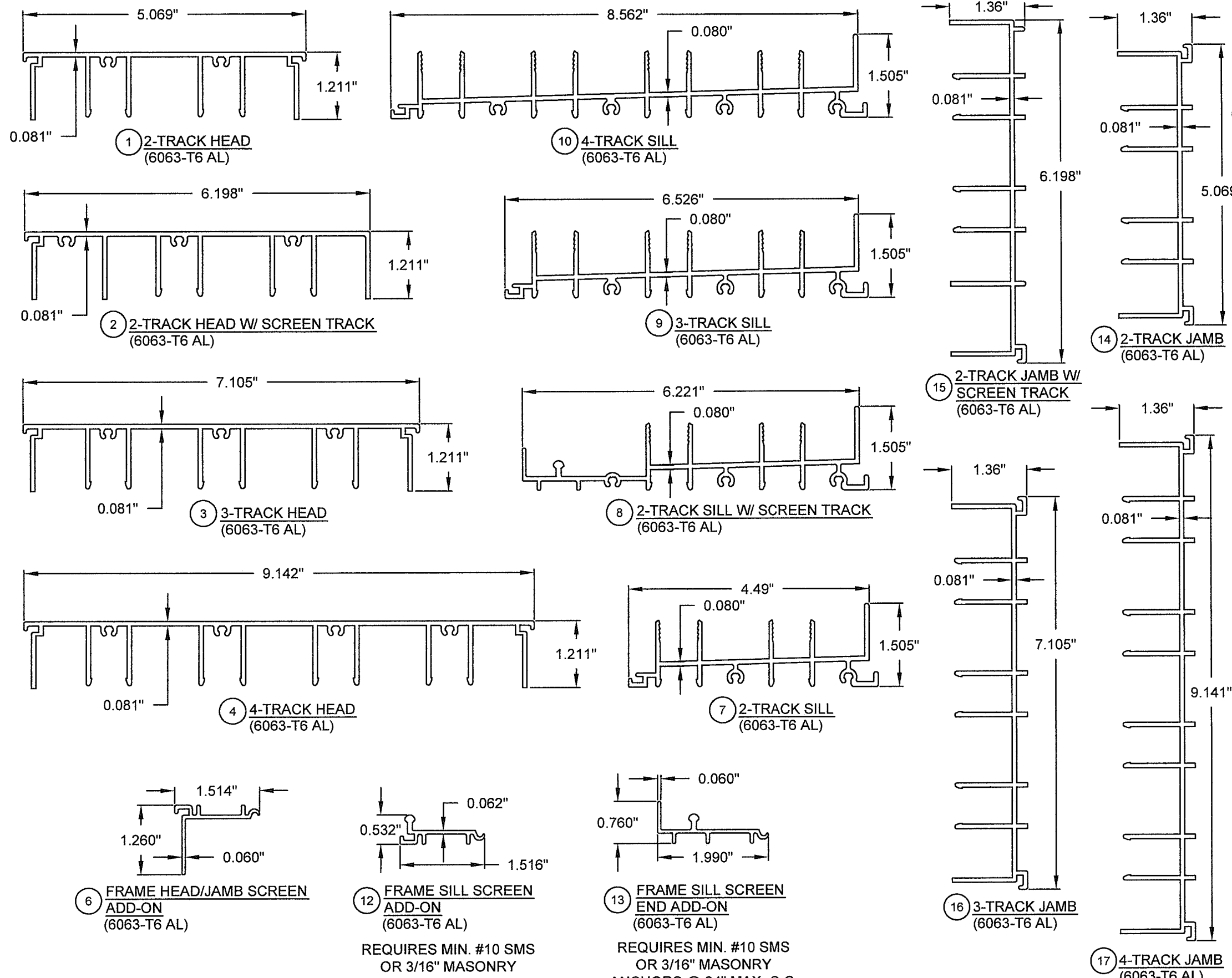


1070 TECHNOLOGY DRIVE  
 N. VENICE, FL 34275  
 (941) 480-1600  
 REGISTRATION #29296



Description:  
**PARTS LIST**  
 Title:  
**SERIES 770 ALUM. SGD - LM IMPACT**  
 Series/Model: **SGD-770** Scale: **NTS** Sheet: **20 of 22** Drawing No. **PGT0130** Rev: **D**

Revsd By: JR Date: 03/26/20 Revisions: D ADDED BACKBEDDING & MATERIAL PROP. TABLE  
 Drawn By: JR Date: 10/10/14 Checked By: Date:

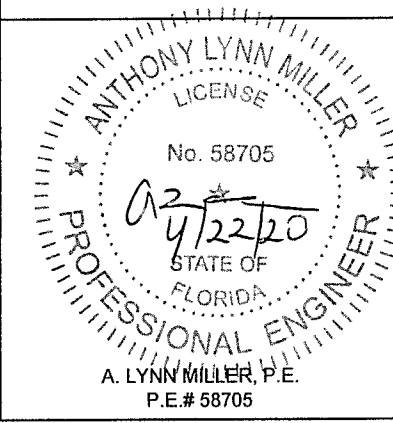


SEE SHEET 17 FOR SILL RISERS.

REQUIRES MIN. #10 SMS OR 3/16" MASONRY ANCHORS @ 24" MAX. O.C.

REQUIRES MIN. #10 SMS OR 3/16" MASONRY ANCHORS @ 24" MAX. O.C.

**PRODUCT REVISED**  
 as complying with the Florida Building Code  
 NOA-No. **20-0429.09**  
 Expiration Date: **02/17/2025**  
 By: Ishag I. Chande  
 Miami-Dade Product Control



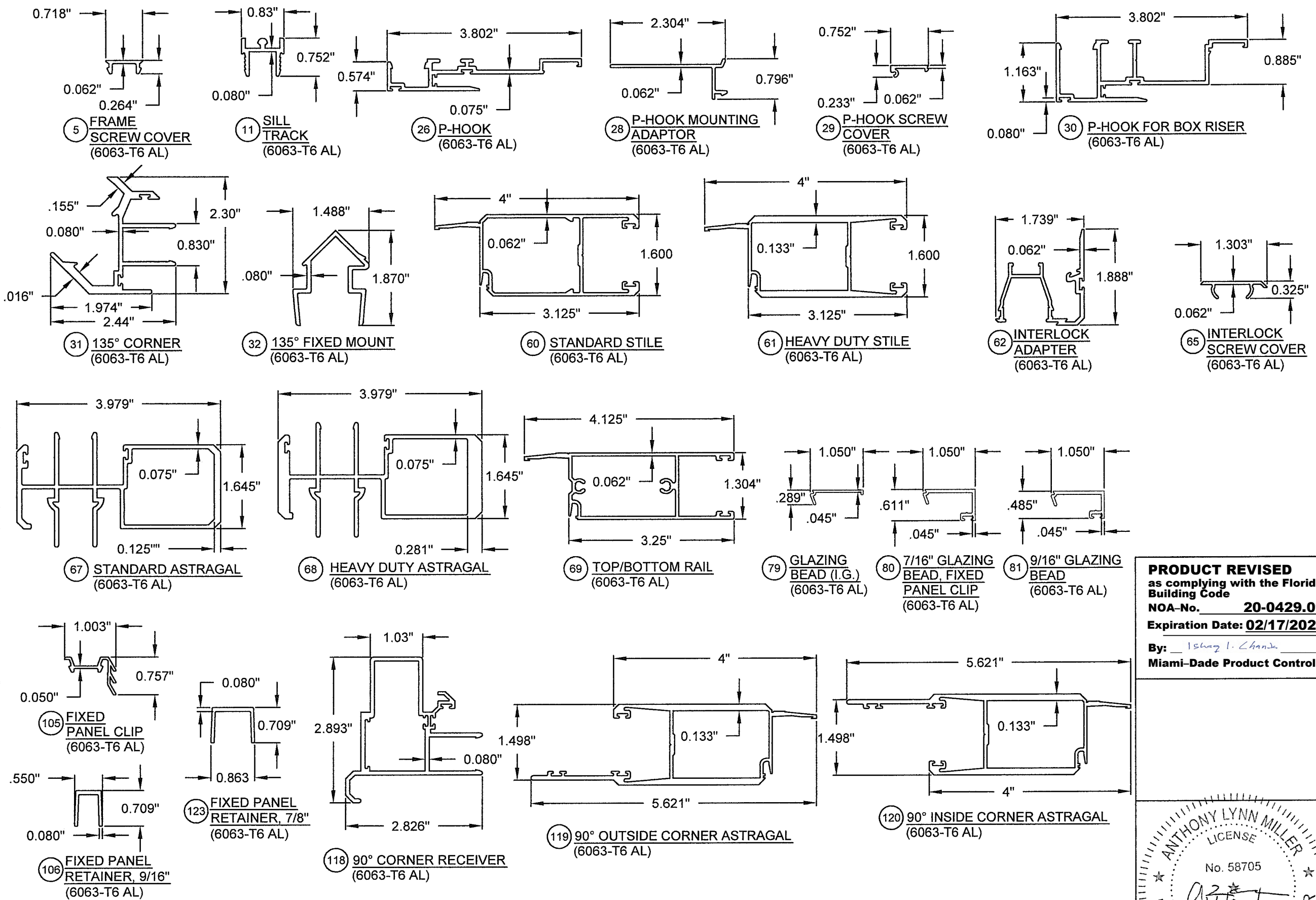
Revised By: JR	Date: 03/26/20	Revisions: D	NO CHANGES THIS SHEET.
Drawn By: JR	Date: 10/10/14	Checked By:	Date:

1070 TECHNOLOGY DRIVE  
 N. VENICE, FL 34275  
 (941) 480-1600  
 REGISTRATION #29296

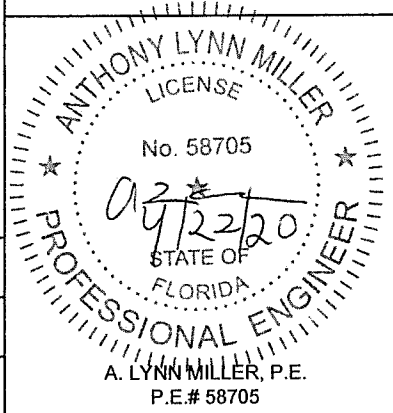


Description: <b>EXTRUSIONS</b>			
Title: <b>SERIES 770 ALUM. SGD - LM IMPACT</b>			
Series/Model: SGD-770	Scale: NTS	Sheet: 21 of 22	Drawing No. PGT0130
Rev: D			





**PRODUCT REVISED**  
 as complying with the Florida Building Code  
 NOA-No. **20-0429.09**  
 Expiration Date: **02/17/2025**  
 By: Isang I. Chanik  
 Miami-Dade Product Control



1070 TECHNOLOGY DRIVE  
 N. VENICE, FL 34275  
 (941) 480-1600  
 REGISTRATION #29296



Description: **EXTRUSIONS**  
 Title: **SERIES 770 ALUM. SGD - LM IMPACT**  
 Series/Model: **SGD-770** Scale: **NTS** Sheet: **22 of 22** Drawing No. **PGT0130** Rev: **D**

Revised By: JR	Date: 03/26/20	Revisions: D	NO CHANGES THIS SHEET.
Drawn By: JR	Date: 10/10/14	Checked By:	Date: