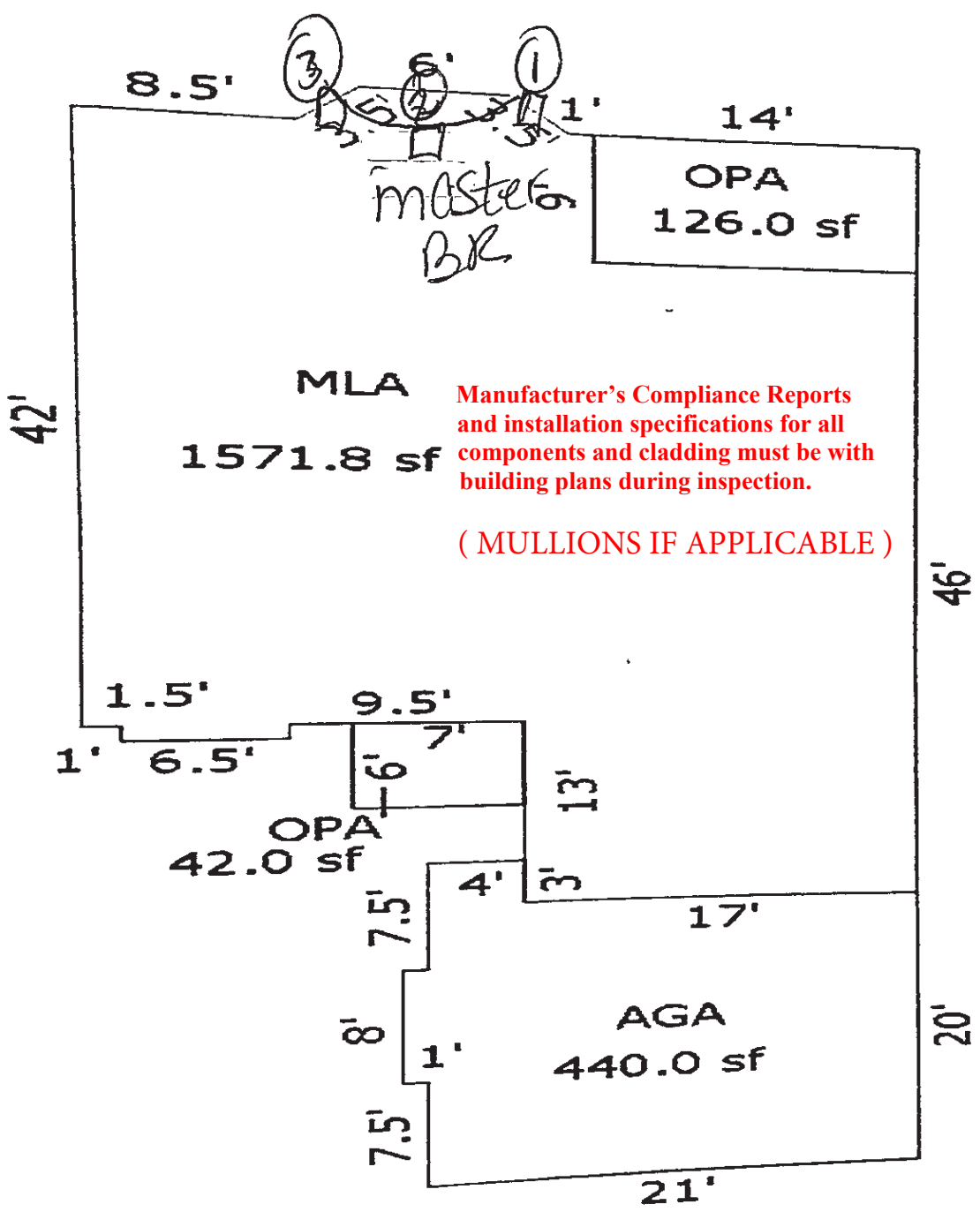


REVIEWED FOR CODE COMPLIANCE



10:27 am, Jul 11 2023



OFFICIAL DOCUMENTS

Per Sarasota County Ordinance, approved plans must be on-site at time of inspection.

Sarasota County Planning & Development Services



10741 Crossroads Commerce Blvd
 Tampa, FL 33610
 USA
 PH: (813)-626-6000
<http://newsouthwindow.com/>

ORDER: O-53338
 ORDER DATE: 6/19/2023
 EST. DELIVERY DATE: 8/4/2023
 ORDER CONTACT: 278441

ORDER ACKNOWLEDGEMENT

INVOICE INFORMATION

Sarasota Retail
 3125 Lakewood Ranch Blvd
 Suite 112
 Bradenton, FL 34211

SHIPPING INFORMATION

Sarasota Retail[Sarasota]
 3125 Lakewood Ranch Blvd
 Suite 112
 Bradenton, FL 34211

SHIP VIA: OUR TRUCK

ORDER	ORDER DATE	PO NUMBER	CUSTOMER REF	TERMS	
O-53338	6/19/2023	SAR Miller, Richard	SAR Miller, Richard	NET 30	
ITEM	DESCRIPTION	QTY	SIZE	PRICE	TOTAL
1	9450 IMPACT SINGLE HUNG ASTM WHITE FIN/FLANGE THROUGH FRAME INSTALLATION EQUAL SPLIT SASH MAXIMUM DESIGN PRESSURE UNIT GLASS DOUBLE STRENGTH 366 STANDARD LOW-E CLEAR GLASS .090-INCH PVB CLEAR HALF SCREEN FLORIDA DP INFORMATIONAL=[+55 / -65] FLORIDA PRODUCT APPROVAL #=[40526] SOLAR HEAT GAIN=[0.21] U VALUE=[0.28] VISIBLE LIGHT=[0.49] 1 MASTER BED	1	24 3/4 W X 61 1/4 H		
2	9450 IMPACT SINGLE HUNG ASTM WHITE FIN/FLANGE THROUGH FRAME INSTALLATION EQUAL SPLIT SASH MAXIMUM DESIGN PRESSURE UNIT GLASS DOUBLE STRENGTH 366 STANDARD LOW-E CLEAR GLASS .090-INCH PVB CLEAR HALF SCREEN FLORIDA DP INFORMATIONAL=[+55 / -65] FLORIDA PRODUCT APPROVAL #=[40526] SOLAR HEAT GAIN=[0.21] U VALUE=[0.28] VISIBLE LIGHT=[0.49] 2 MASTER BED	1	51 3/4 W X 61 1/4 H		

ORDER	ORDER DATE	PO NUMBER	CUSTOMER REF	TERMS	
O-53338	6/19/2023	SAR Miller, Richard	SAR Miller, Richard	NET 30	
ITEM	DESCRIPTION	QTY	SIZE	PRICE	TOTAL
3	9450 IMPACT SINGLE HUNG ASTM WHITE FIN/FLANGE THROUGH FRAME INSTALLATION EQUAL SPLIT SASH MAXIMUM DESIGN PRESSURE UNIT GLASS DOUBLE STRENGTH 366 STANDARD LOW-E CLEAR GLASS .090-INCH PVB CLEAR HALF SCREEN FLORIDA DP INFORMATIONAL=[+55 / -65] FLORIDA PRODUCT APPROVAL #=[40526] SOLAR HEAT GAIN=[0.21] U VALUE=[0.28] VISIBLE LIGHT=[0.49] 3 MASTER BED	1	24 3/4 W X 61 1/4 H		
TOTALS: 3			SUBTOTAL:		
			FLORIDA 6%:		
			SARASOTA 1%:		
			TOTAL:		

COMMENT:



Product Approval
USER: Public User

[Product Approval Menu](#) > [Product or Application Search](#) > [Application List](#) > **Application Detail**

OFFICE OF THE
SECRETARY

FL #	FL40526-R1
Application Type	Revision
Code Version	2020
Application Status	Approved
Comments	
Archived	<input type="checkbox"/>
Product Manufacturer	NewSouth Window Solutions
Address/Phone/Email	10741 Crossroads Commerce Blvd. tampa, FL 33610 (813) 626-6000 jrosowski@pgtindustries.com
Authorized Signature	Jens Rosowski jrosowski@pgtindustries.com
Technical Representative	Lynn Miller, P.E.
Address/Phone/Email	1070 Technology Dr Innovations Lab N Venice, FL 34275 (941) 480-1600 Ext 21142 lmilleri@pgtindustries.com
Quality Assurance Representative	
Address/Phone/Email	
Category	Windows
Subcategory	Single Hung
Compliance Method	Evaluation Report from a Florida Registered Architect or a Licensed Florida Professional Engineer <input type="checkbox"/> Evaluation Report - Hardcopy Received
Florida Engineer or Architect Name who developed the Evaluation Report	A. Lynn Miller, P.E.
Florida License	PE-58705
Quality Assurance Entity	National Accreditation and Management Institute
Quality Assurance Contract Expiration Date	12/31/2023
Validated By	Steven M. Urich, PE <input checked="" type="checkbox"/> Validation Checklist - Hardcopy Received
Certificate of Independence	FL40526_R1_COI_Cert of Independence.pdf

Referenced Standard and Year (of Standard)

OFFICIAL DOCUMENTS
Per Sarasota County Ordinance, approved plans must be on-site at time of inspection.
Sarasota County Planning & Development Services

Standard	Year
AAMA/WDMA/CSA 101/1S2/A440	2008
AAMA/WDMA/CSA 101/1S2/A440	2011
AAMA/WDMA/CSA 101/1S2/A440	2017
ASTM E1886	2005
ASTM E1996	2005
ASTM E1996	2006
ASTM E1996	2009
TAS 201, 202, 203	1994

Equivalence of Product Standards
Certified By

Florida Licensed Professional Engineer or Architect
[FL40526 R1 Equiv ASTM E1886-04-05 to E1886-13a and E1996-05-06-09 to E1996-17 Equivalency Letter 2020-09-09.pdf](#)

Sections from the Code

Product Approval Method

Method 1 Option D

Date Submitted

12/19/2022

Date Validated

12/19/2022

Date Pending FBC Approval

12/22/2022

Date Approved

02/07/2023

Summary of Products

FL #	Model, Number or Name	Description
40526.1	Model 9400	Vinyl, Non-impact Resistant Single Hung Window, All Frame Types
Limits of Use Approved for use in HVHZ: No Approved for use outside HVHZ: Yes Impact Resistant: No Design Pressure: N/A Other: Please see the enclosed documents for product performance information, anchorage details, and anchor type, size, and spacing information.		Installation Instructions FL40526 R1 II SH9400-FPA-NI a.pdf Verified By: A. Lynn Miller, P.E. PE-58705 Created by Independent Third Party: No Evaluation Reports FL40526 R1 AE SH9000 NI - ENG EVAL a.pdf Created by Independent Third Party: No
40526.2	Model 9450	Vinyl, Impact Resistant Single Hung Window, All Frame Types
Limits of Use Approved for use in HVHZ: No Approved for use outside HVHZ: Yes Impact Resistant: Yes Design Pressure: N/A Other: Please see the enclosed documents for product performance information, anchorage details, and anchor type, size, and spacing information.		Installation Instructions FL40526 R1 II SH9450-FPA-LM a.pdf Verified By: A. Lynn Miller, P.E. PE-58705 Created by Independent Third Party: No Evaluation Reports FL40526 R1 AE SH9400 LM - ENG EVAL a.pdf Created by Independent Third Party: No
40526.3	Model 9450	Vinyl, Impact Resistant Single Hung Window, HVHZ, All Frame Types
Limits of Use Approved for use in HVHZ: Yes Approved for use outside HVHZ: Yes Impact Resistant: Yes Design Pressure: N/A Other: Please see the enclosed documents for product performance information, anchorage details, and anchor type, size, and spacing information.		Installation Instructions FL40526 R1 II SH9450-FPA-LM HVHZ a.pdf Verified By: A. Lynn Miller, P.E. PE-58705 Created by Independent Third Party: No Evaluation Reports FL40526 R1 AE SH9400 LM-HVHZ - ENG EVAL a.pdf Created by Independent Third Party: No

OFFICIAL DOCUMENTS

Per Sarasota County Ordinance, approved plans must be on-site at time of inspection.

Sarasota County Planning & Development Services

[Back](#)

[Next](#)

Contact Us :: 2601 Blair Stone Road, Tallahassee FL 32399 Phone: 850-487-1824

The State of Florida is an AA/EEO employer. Copyright 2007-2013 State of Florida. :: [Privacy Statement](#) :: [Accessibility Statement](#) :: [Refund Statement](#)

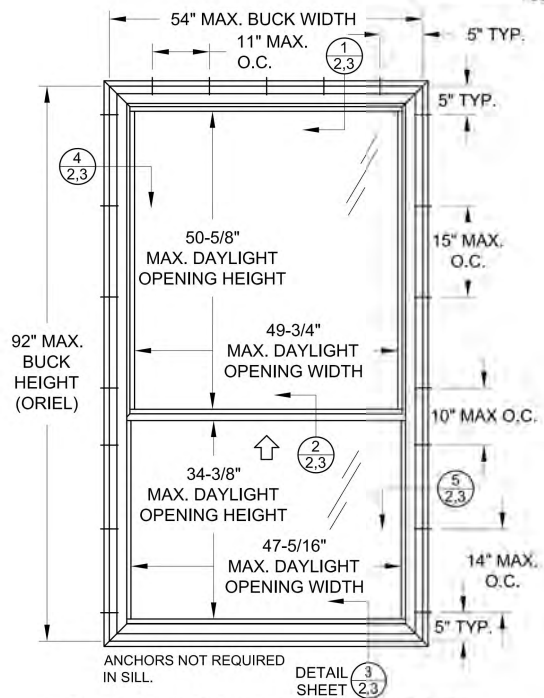
The Department's address is public records. If you do not want your e-mail address released in response to a public-records request, do not send electronic mail to this entity. Instead, contact the office by phone or by traditional mail. If you have any questions, please contact 850.487.1395. *Pursuant to Section 455.275(1), Florida Statutes, effective October 1, 2012, licensees licensed under Chapter 455, F.S. must provide the Department with an email address if they have one. The emails provided may be used for official communication with the licensee. However email addresses are public record. If you do not wish to supply a personal address, please provide the Department with an email address which can be made available to the public. To determine if you are a licensee under Chapter 455, F.S., please click [here](#).

Product Approval Accepts:

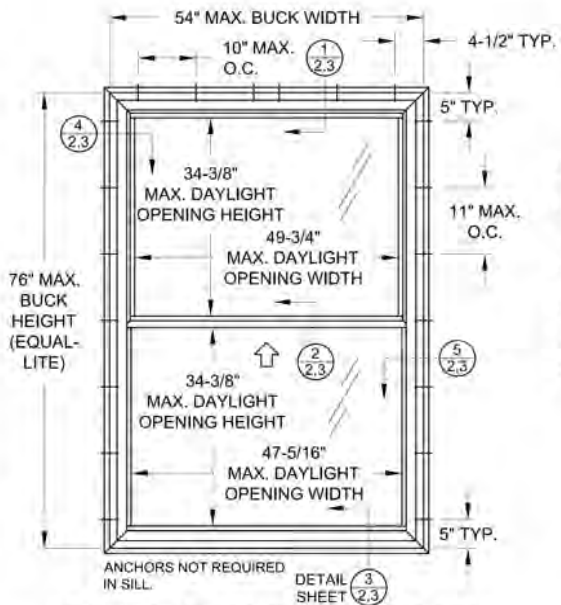


FLORIDA PRODUCT APPROVAL #40526

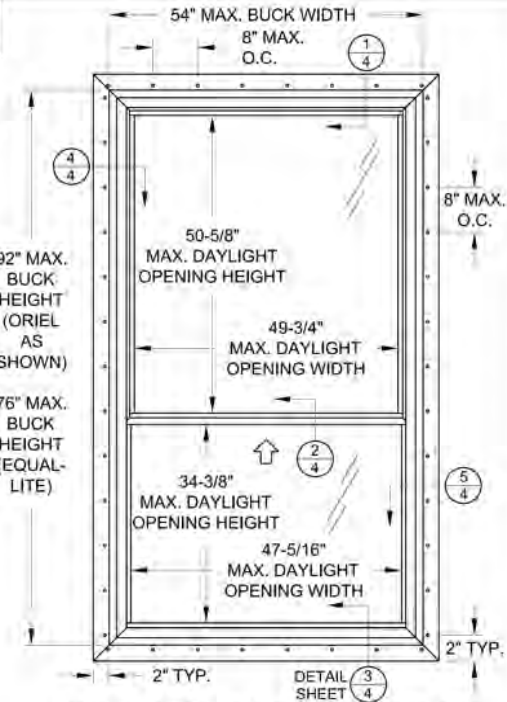
DP RATING	LARGE & SMALL MISSILE IMPACT RESISTANT
SEE TABLE 1	



TYP. ANCHOR LOCATIONS, TESTED SIZE (FLANGED FRAME, EQUAL-LEG SIM.)



TYP. ANCHOR LOCATIONS, TESTED SIZE (FLANGED FRAME, EQUAL-LEG SIM.)



TYP. ANCHOR LOCATIONS, TESTED SIZE (INTEGRAL FIN FRAME)



A. LYNN MILLER, P.E. P.E.# 58705

REGISTRATION #29296
 COPYRIGHT © 2021
 NEW SOUTH WINDOW SOLUTIONS
 ALL RIGHTS RESERVED
 COPIES FOR PERMITTING

9450 SERIES SINGLE HUNG
 GEN. NOTES, DESIGN PRESSURES AND ANCHOR ELEVATIONS
 NEWSOUTH WINDOW SOLUTIONS
 10741 CROSSROADS COMMERCE BLVD.
 TAMPA, FL 33610

PREPARED BY: A. LYNN MILLER, P.E.
 1070 TECHNOLOGY DR
 N. VENICE, FL 34275
 (941)-480-1600

BY:	
REVISION:	
DATE:	
#:	



SERIES 9450 SINGLE HUNG, TILT WINDOW, IMPACT RESISTANT, NON-HVHZ, FLANGE, EQUAL-LEG & FIN FRAMES

- 1) THIS PRODUCT HAS BEEN DESIGNED & TESTED TO COMPLY WITH THE REQUIREMENTS OF THE FLORIDA BUILDING CODE, EXCLUDING THE HIGH VELOCITY HURRICANE ZONE (HVHZ).
- 2) SHUTTERS ARE NOT REQUIRED WHEN USED IN WIND-BORNE DEBRIS REGIONS.
- 3) MASONRY ANCHORS MAY BE USED INTO WOOD. ALL WOOD BUCKS LESS THAN 1-1/2" THICK ARE TO BE CONSIDERED 1X INSTALLATIONS. 1X WOOD BUCKS ARE OPTIONAL IF UNIT IS INSTALLED DIRECTLY TO SUBSTRATE. WOOD BUCKS DEPICTED AS 2X ARE 1-1/2" THICK OR GREATER.
- 4) ANCHOR EMBEDMENT TO BASE MATERIAL SHALL BE BEYOND WALL DRESSING OR STUCCO. USE ANCHORS OF SUFFICIENT LENGTH.

5) MAX. 1/4" SHIMS ARE REQUIRED AT EACH ANCHOR LOCATION WHERE THE PRODUCT IS NOT FLUSH TO THE SUBSTRATE. USE SHIMS CAPABLE OF TRANSFERRING APPLIED LOADS.

6) THE ANCHORAGE METHODS SHOWN HAVE BEEN DESIGNED TO RESIST THE WIND LOADS CORRESPONDING TO THE REQUIRED DESIGN PRESSURE. THE 33-1/3% STRESS INCREASE HAS NOT BEEN USED IN THE DESIGN OF THIS PRODUCT. THE 1.6 LOAD DURATION FACTOR WAS USED FOR THE EVALUATION OF ANCHORS INTO WOOD. ANCHORS THAT COME INTO CONTACT WITH OTHER DISSIMILAR MATERIALS SHALL MEET THE REQUIREMENTS OF THE FLORIDA BUILDING CODE FOR CORROSION RESISTANCE.

TABLE 1: DESIGN PRESSURES

Buck Width	Buck Height	Configuration	Frame Type	Glass Type	Design Pressure	
					(+) psf	(-) psf
54"	76"	Equal-lite	All	1	55.0	65.0
40"	48"	Equal-lite	Flange, Equal-Leg	2	65.0	85.0
54"	92"	Oriel	All	1 & 3	55.0	55.0

FOR SIZES NOT SHOWN, ROUND UP TO THE NEXT AVAILABLE WIDTH OR HEIGHT DIMENSION.
 FOR GLASS TYPES, SEE SHEET 6.

OFFICIAL DOCUMENTS

Per Sarasota County Ordinance, approved plans must be on-site at time of inspection.

Sarasota County Planning & Development Services

DATE: 12/13/22
 SCALE: NTS
 BY: LOGAN YODER
 DRAWING #: SH9450-FPA-LM
 SHEET: 1 OF 6



A. LYNN MILLER, P.E., P.E.# 58705

REGISTRATION #29296
 COPYRIGHT © 2021
 NEWSOUTH WINDOW SOLUTIONS
 WANTED FOR PERMITTING
 COPIES FOR PERMITTING

PREPARED BY: A. LYNN MILLER, P.E.
 1070 TECHNOLOGY DR
 N. VENICE, FL 34275
 (941)-480-1600

BY: 9450 SERIES SINGLE HUNG
 FLANGE INSTALLATION SECTION VIEWS
 NEWSOUTH WINDOW SOLUTIONS
 10741 CROSSROADS COMMERCE BLVD.
 TAMPA, FL 33610

DATE:	REVISION:
#:	

DATE: 12/13/22
 SCALE: NTS
 BY: LOGAN YODER
 DRAWING #: SH9450-FPA-LM
 SHEET: 2 OF 6

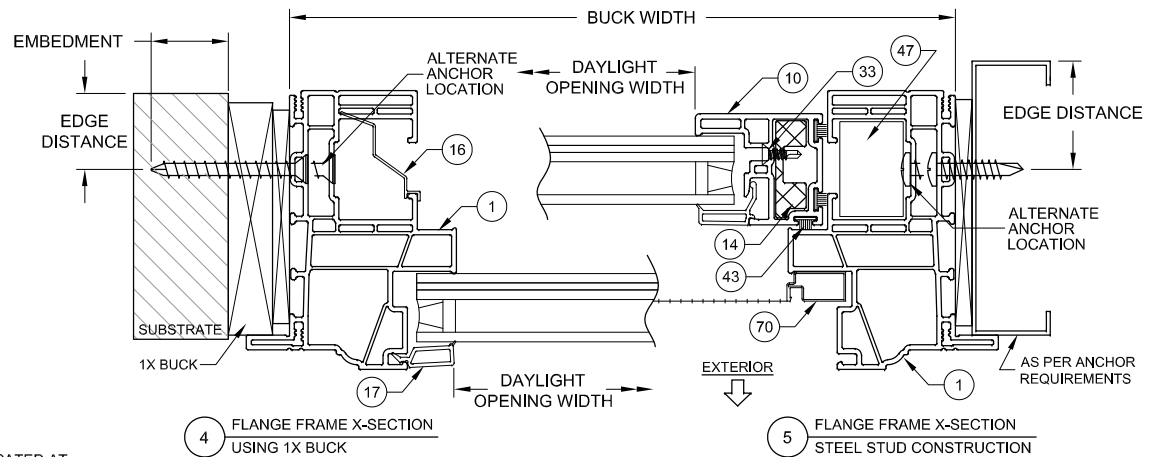
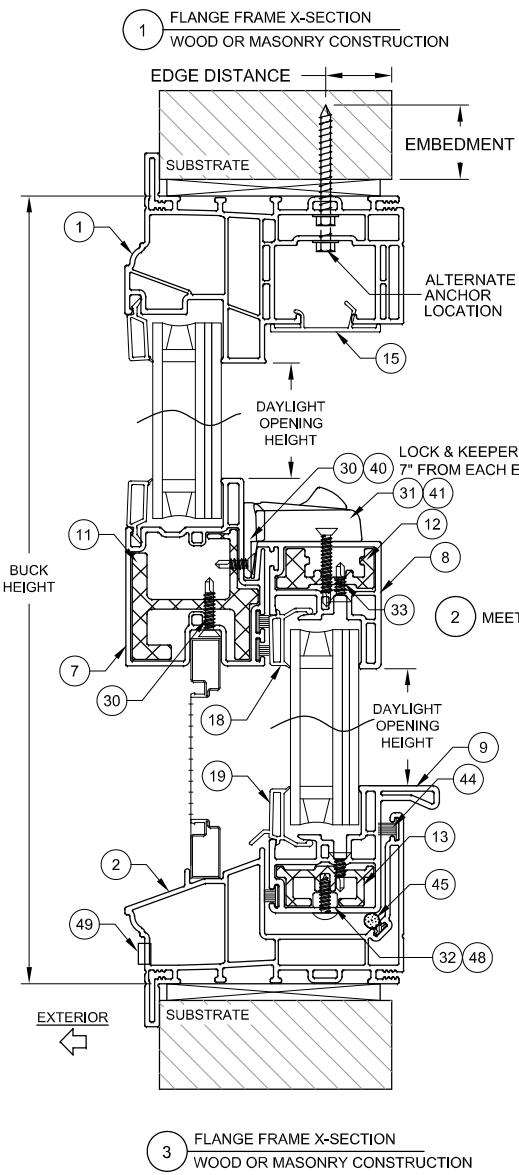


TABLE 2: INSTALLATION ANCHORS

Anchor	Substrate	Minimum Edge Distance	Minimum Embedment
#10 or #12 Steel or 410 SS Screw	Southern Pine (SG = .55)	1/2"	1-3/8"
	Aluminum, 6063-T5 min.	5/16"	0.050"
	Steel Stud, Gr. 33 min.	5/16"	0.045" (20 Ga)
	A36 Steel	5/16"	0.050"
3/16" Steel Ultracon+	Concrete (min. 2.9 ksi)	1"	1-3/4"
	UngROUTED CMU, (ASTM C-90)	1-1/16"	1-1/4"
1/4" Steel Ultracon+	Southern Pine (SG = .55)	1"	1-3/8"
	Concrete (min. 3.0 ksi)	1"	1-3/8"
	UngROUTED CMU, (ASTM C-90)	1"	1-1/4"
	Southern Pine (SG = .55)	1"	1-3/8"

- 1) ANCHOR MUST EXTEND A MINIMUM OF 3 THREADS BEYOND ANY METAL SUBSTRATE.
- 2) "UNGROUTED CMU" VALUES MAY BE USED FOR GROUDED CMU APPLICATIONS.
- 3) ALL ANCHOR HEAD TYPES ARE APPLICABLE.

- INSTALLATION NOTES:
- 1) SEE SHEET 1 FOR ANCHOR SPACING REQUIREMENTS.
 - 2) ANY INSTALLATION OPTION SHOWN (2X BUCK OR WOOD FRAMING, 1X BUCK, DIRECT TO MASONRY, STEEL STUD) MAY BE USED ON ANY SIDE OF THE WINDOW.
 - 3) USE ONLY SUBSTRATE APPROPRIATE ANCHORS LISTED IN ANCHOR TABLE 2. FOLLOW EMBEDMENT AND EDGE DISTANCE LIMITS. MAX. SHIM THICKNESS TO BE 1/4".



A. LYNN MILLER, P.E., P.E.# 58705

REGISTRATION #29296
 COPYRIGHT © 2021
 NEWSOUTH WINDOW SOLUTIONS
 ALL RIGHTS RESERVED. NO
 COPIES FOR PERMITTING

PREPARED BY: A. LYNN MILLER, P.E.
 1070 TECHNOLOGY DR
 N. VENICE, FL 34275
 (941)-480-1600

BY: 9450 SERIES SINGLE HUNG
 EQUAL-LEG INSTALLATION
 SECTION VIEWS
 NEWSOUTH WINDOW SOLUTIONS
 10741 CROSSROADS COMMERCE BLVD.
 TAMPA, FL 33610

REVISION:	
DATE:	
#:	

DATE: 12/13/22
 SCALE: NTS
 BY: LOGAN YODER
 DRAWING #: SH9450-FPA-LM
 SHEET: 3 OF 6

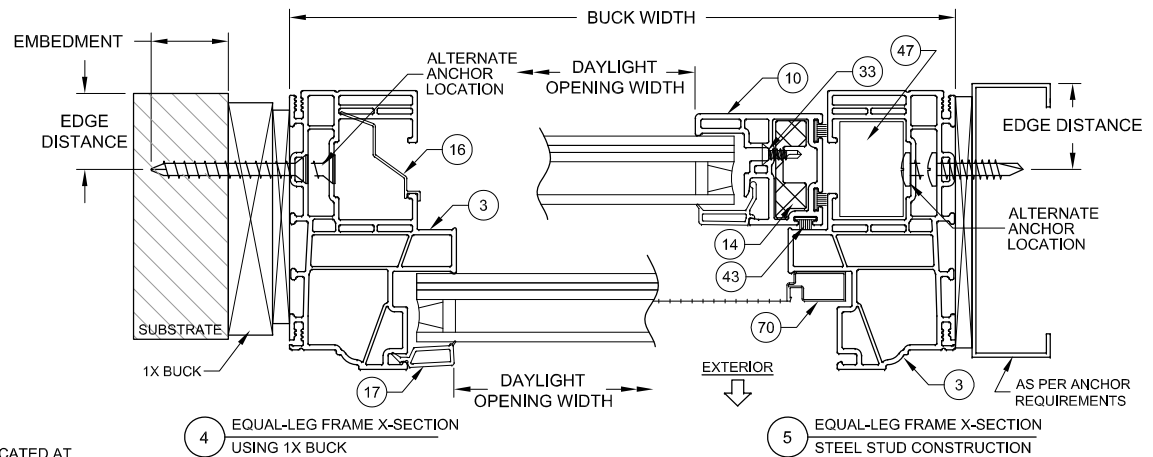
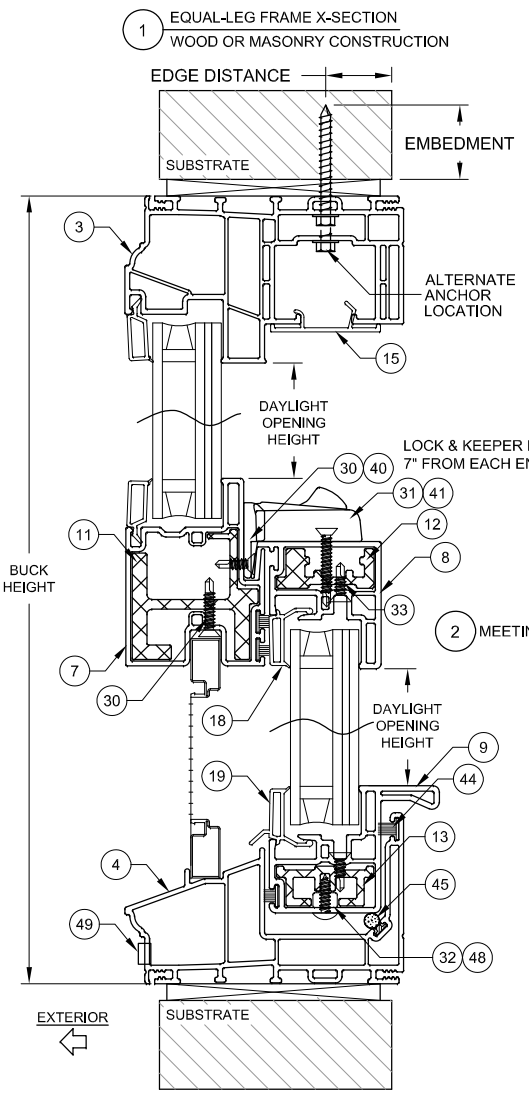


TABLE 3: INSTALLATION ANCHORS

Anchor	Substrate	Minimum Edge Distance	Minimum Embedment
#10 or #12 Steel or 410 SS Screw	Southern Pine (SG = .55)	1/2"	1-3/8"
	Aluminum, 6063-T5 min.	5/16"	0.050"
	Steel Stud, Gr. 33 min.	5/16"	0.045" (20 Ga)
	A36 Steel	5/16"	0.050"
3/16" Steel Ultracon+	Concrete (min. 2.9 ksi)	1"	1-3/4"
	UngROUTED CMU, (ASTM C-90)	1-1/16"	1-1/4"
1/4" Steel Ultracon+	Southern Pine (SG = .55)	1"	1-3/8"
	Concrete (min. 3.0 ksi)	1"	1-3/8"
	UngROUTED CMU, (ASTM C-90)	1"	1-1/4"
	Southern Pine (SG = .55)	1"	1-3/8"

- 1) ANCHOR MUST EXTEND A MINIMUM OF 3 THREADS BEYOND ANY METAL SUBSTRATE.
- 2) "UNGROUTED CMU" VALUES MAY BE USED FOR GROUTED CMU APPLICATIONS.
- 3) ALL ANCHOR HEAD TYPES ARE APPLICABLE.

- INSTALLATION NOTES:
- 1) SEE SHEET 1 FOR ANCHOR SPACING REQUIREMENTS.
 - 2) ANY INSTALLATION OPTION SHOWN (2X BUCK OR WOOD FRAMING, 1X BUCK, DIRECT TO MASONRY, STEEL STUD) MAY BE USED ON ANY SIDE OF THE WINDOW.
 - 3) USE ONLY SUBSTRATE APPROPRIATE ANCHORS LISTED IN ANCHOR TABLE 3. FOLLOW EMBEDMENT AND EDGE DISTANCE LIMITS. MAX. SHIM THICKNESS TO BE 1/4".

3 EQUAL-LEG FRAME X-SECTION WOOD OR MASONRY CONSTRUCTION



A. LYNN MILLER, P.E., P.E.# 58705

REGISTRATION #29296
 COPYRIGHT © 2021
 NEWSOUTH WINDOW SOLUTIONS
 ALL RIGHTS RESERVED
 COPIES FOR PERMITTING

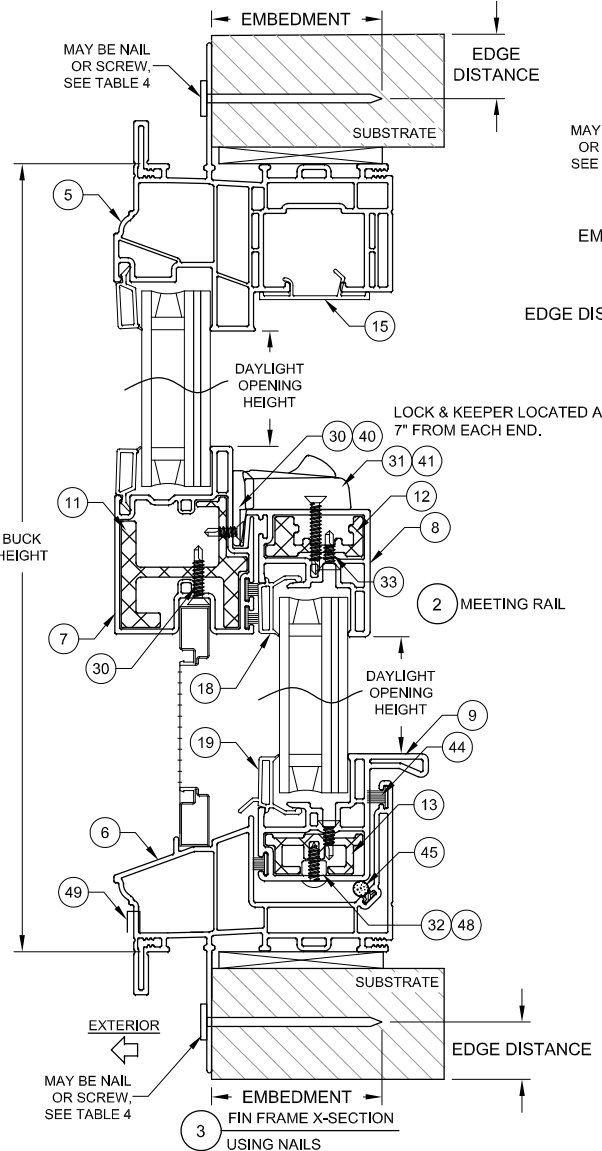
PREPARED BY: A. LYNN MILLER, P.E.
 1070 TECHNOLOGY DR
 N. VENICE, FL 34275
 (941)-480-1600

9450 SERIES SINGLE HUNG
 FIN INSTALLATION SECTION VIEWS
 NEWSOUTH WINDOW SOLUTIONS
 10741 CROSSROADS COMMERCE BLVD.
 TAMPA, FL 33610

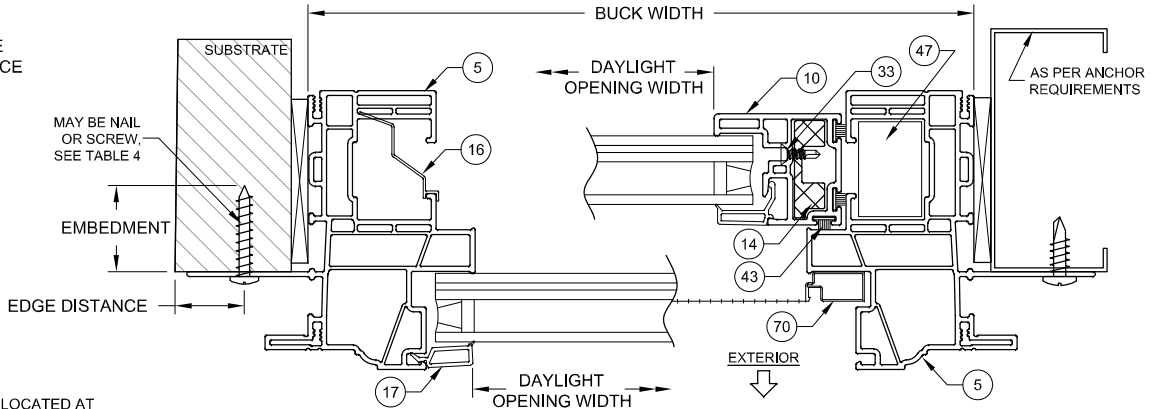
BY:	
REVISION:	
DATE:	
#:	

DATE: 12/13/22
 SCALE: NTS
 BY: LOGAN YODER
 DRAWING #: SH9450-FPA-LM
 SHEET: 4 OF 6

1 FIN FRAME X-SECTION USING NAILS



4 FIN FRAME X-SECTION USING SCREWS



5 FIN FRAME X-SECTION STEEL STUD CONSTRUCTION

TABLE 4: INSTALLATION ANCHORS

Anchor	Substrate	Min. Edge Distance	Min. Embedment
2-1/2" x .113" Box Nail	P.T. Southern Pine (SG = .55)	5/16"	2-7/16"
2-1/2" x .131" Common Nail	P.T. Southern Pine (SG = .55)	3/8"	2-7/16"
2-1/2" x .145" Roofing Nail	P.T. Southern Pine (SG = .55)	3/8"	2-7/16"
#10 Steel SMS	P.T. Southern Pine (SG = .55)	1/2"	1-3/8"
	Aluminum, 6063-T5 min.	3/8"	1/8"
	Steel Stud, Gr. 33 min.	3/8"	0.036
	A36 Steel	3/8"	1/8"

1) ANCHOR MUST EXTEND A MINIMUM OF 3 THREADS BEYOND ANY METAL SUBSTRATE.
 2) ALL ANCHOR HEAD TYPES ARE APPLICABLE.

INSTALLATION NOTES:

- 1) SEE SHEET 1 FOR ANCHOR SPACING REQUIREMENTS.
- 2) FLANGE AND/OR FIN MAY BE REMOVED TO CREATE OTHER FRAME TYPES.
- 3) USE ONLY SUBSTRATE APPROPRIATE ANCHORS LISTED IN ANCHOR TABLE 4. FOLLOW EMBEDMENT AND EDGE DISTANCE LIMITS.
- 4) MAX SHIM THICKNESS TO BE 1/4". MAX SHIM SPACING TO BE 18".

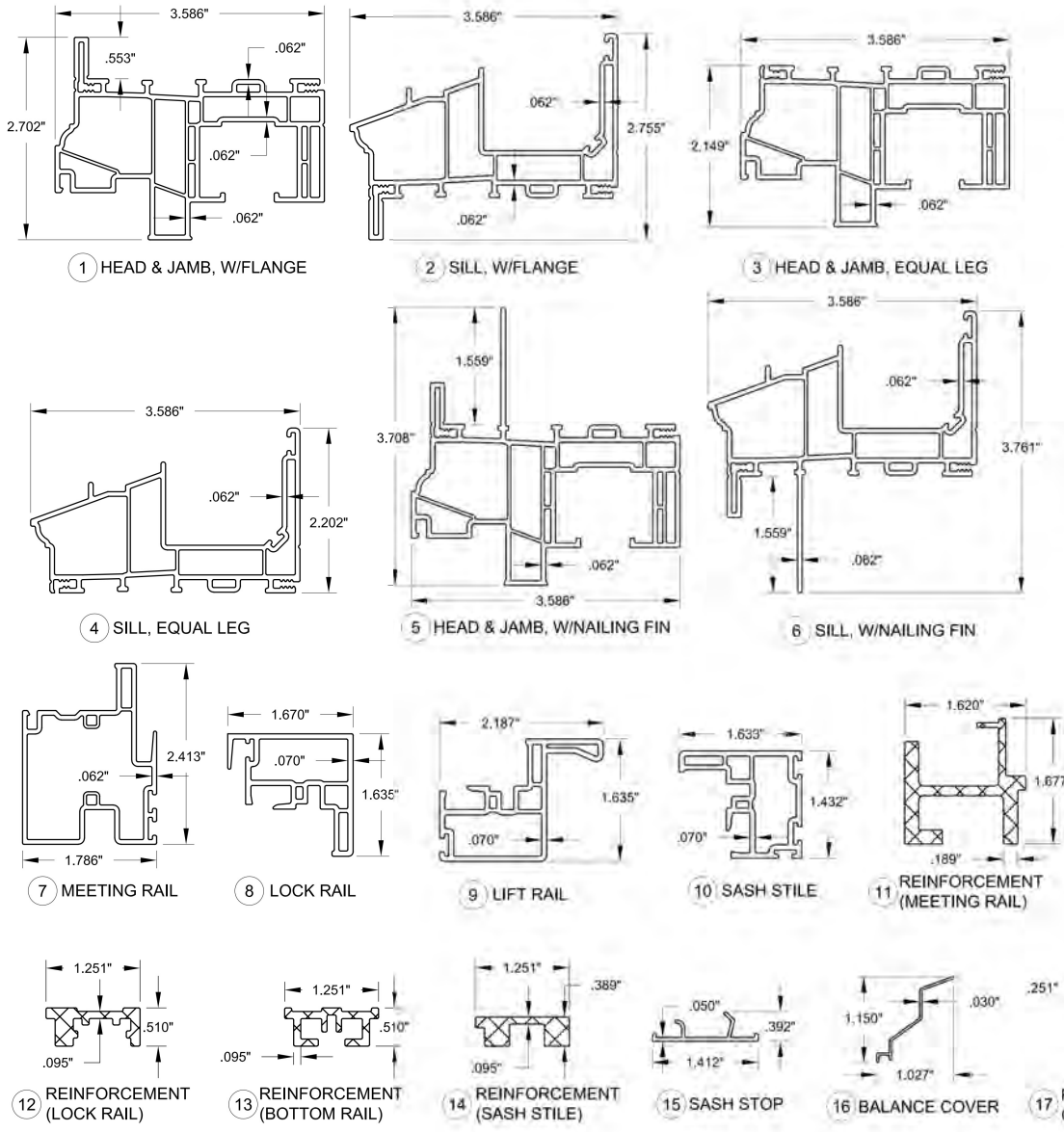


TABLE 5:

#	Part #	Description	Material
1	9465	Head & Jamb, w/Flange	PVC
2	9469	Sill, w/Flange	PVC
3	9465	Head & Jamb, Equal Leg	PVC
4	9469	Sill, Equal Leg	PVC
5	9455	Head & Jamb, w/NAILING FIN	PVC
6	9459	Sill, w/NAILING FIN	PVC
7	9477	Meeting Rail	PVC
8	9485	Lock Rail	PVC
9	9476	Sash Lift Rail	PVC
10	9438	Sash Stiles	PVC
11	6166	Reinf. - Meeting Rail	6063-T5
12	6165	Reinf. - Lock Rail	6063-T5
13	6183	Reinf. - Lift Rail	6063-T5
14	6184	Reinf. - Stiles	6063-T5
15	9473	Sash Stop	PVC
16	9468	Balancer Cover	PVC
17	9736	Fixed Lite Glazing Bead	PVC
18	9425	Sash Glazing Bead	PVC
19	9467	Sash Glazing Bead w/Drip Edge	PVC
30	1012	Screw, #6 x 3/4" PFH	Steel
31	1007	Screw, #6 x 1-1/8" PFH	Steel
32	1015	Screw, #8 x 1/2" PTRUSS	Steel
33	1003	Screw, #6 x 1/2" PFH	Steel
40	8096	Keeper	Zinc
41		Lock	
42	8121	MR Backing Plate	SS
43	4006	WSTP, .270" x .220" Polyfin	
44	4008	WSTP, .270" x .320" Polyfin	
45	4012	WSTP, Bulb Vinyl, .187" x .300"	Steel
46	8205/8206	Tilt Latch, L&R	Zinc
47		Balance	
48	8148	Pivot Bar	SS
49	8223	Weep Cover	Nylon
60		RGS 7700, Pecora 895, SikaFlex 552, Dow 791, 983 or 995	
61		Insulated Glass Spacer	
62	7061	Setting Block, 1/8" x 7/8" x 2"	EPDM
70	6244	Screen Frame	Aluminum

THE APPROVED, RIGID PVC EXTERIOR EXTRUSIONS ARE TO BE PRODUCED BY EXTRUDERS' LICENSEES UNDER "AAMA CERTIFICATION PROGRAMS FOR RIGID PVC EXTRUSIONS".



A. LYNN MILLER, P.E. P.E. # 58705

REGISTRATION #29296
 COPYRIGHT © 2021
 NEWSOUTH WINDOW SOLUTIONS
 10741 CROSSROADS COMMERCE BLVD.
 TAMPA, FL 33610
 BY: 9450 SERIES SINGLE HUNG
 EXTRUSIONS & BOW
 NEWSOUTH WINDOW SOLUTIONS
 10741 CROSSROADS COMMERCE BLVD.
 TAMPA, FL 33610

PREPARED BY: A. LYNN MILLER, P.E.
 1070 TECHNOLOGY DR
 N. VENICE, FL 34275
 (941)-480-1600

DATE: 12/13/22
 SCALE: NTS
 BY: LOGAN YODER
 DRAWING #: SH9450-FPA-LM
 SHEET: 5 OF 6

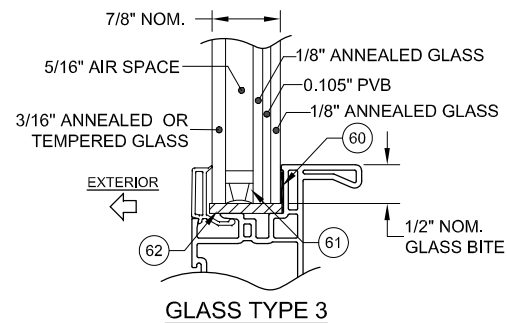
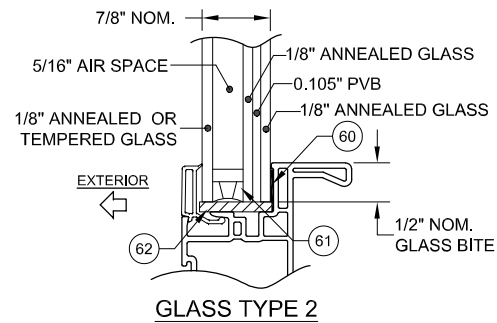
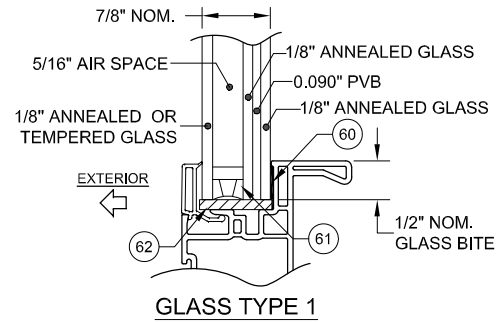
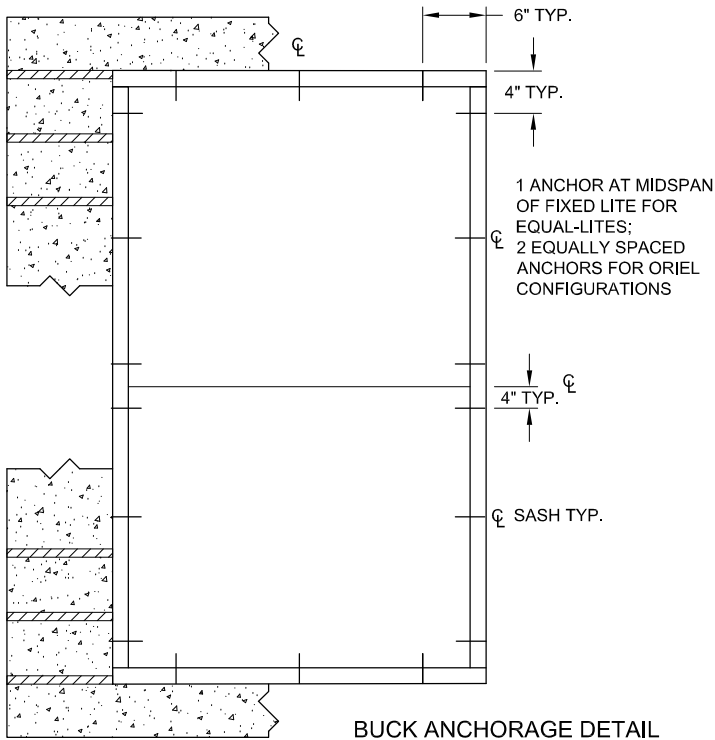


TABLE 6:

Anchor	Substrate	Minimum Edge Distance	Minimum Embedment
1/4" Steel Ultracon+	Concrete (min. 3.0 ksi)	1"	1-3/8"
	UngROUTed CMU, (ASTM C-90)	1"	1-1/4"

1) "UNGROUTED CMU" VALUES MAY BE USED FOR GROUTED CMU APPLICATIONS.

2) ALL ANCHOR HEAD TYPES ARE APPLICABLE.



A. LYNN MILLER, P.E., P.E.# 58705

REGISTRATION #29296
 COPYRIGHT © 2021
 NEWSOUTH WINDOW SOLUTIONS
 UNLIMITED WINDOW SOLUTIONS
 COPIES FOR PERMITTING

PREPARED BY: A. LYNN MILLER, P.E.
 1070 TECHNOLOGY DR
 N. VENICE, FL 34275
 (941)-480-1600

BY: 9450 SERIES SINGLE HUNG
 GLAZING DETAILS AND
 BUCK INSTALLATION DETAILS
 NEWSOUTH WINDOW SOLUTIONS
 10741 CROSSROADS COMMERCE BLVD.
 TAMPA, FL 33610

#	DATE	REVISION

DATE: 12/13/22
 SCALE: NTS
 BY: LOGAN YODER
 DRAWING # :
 SH9450-FPA-LM
 SHEET: 6 OF 6