

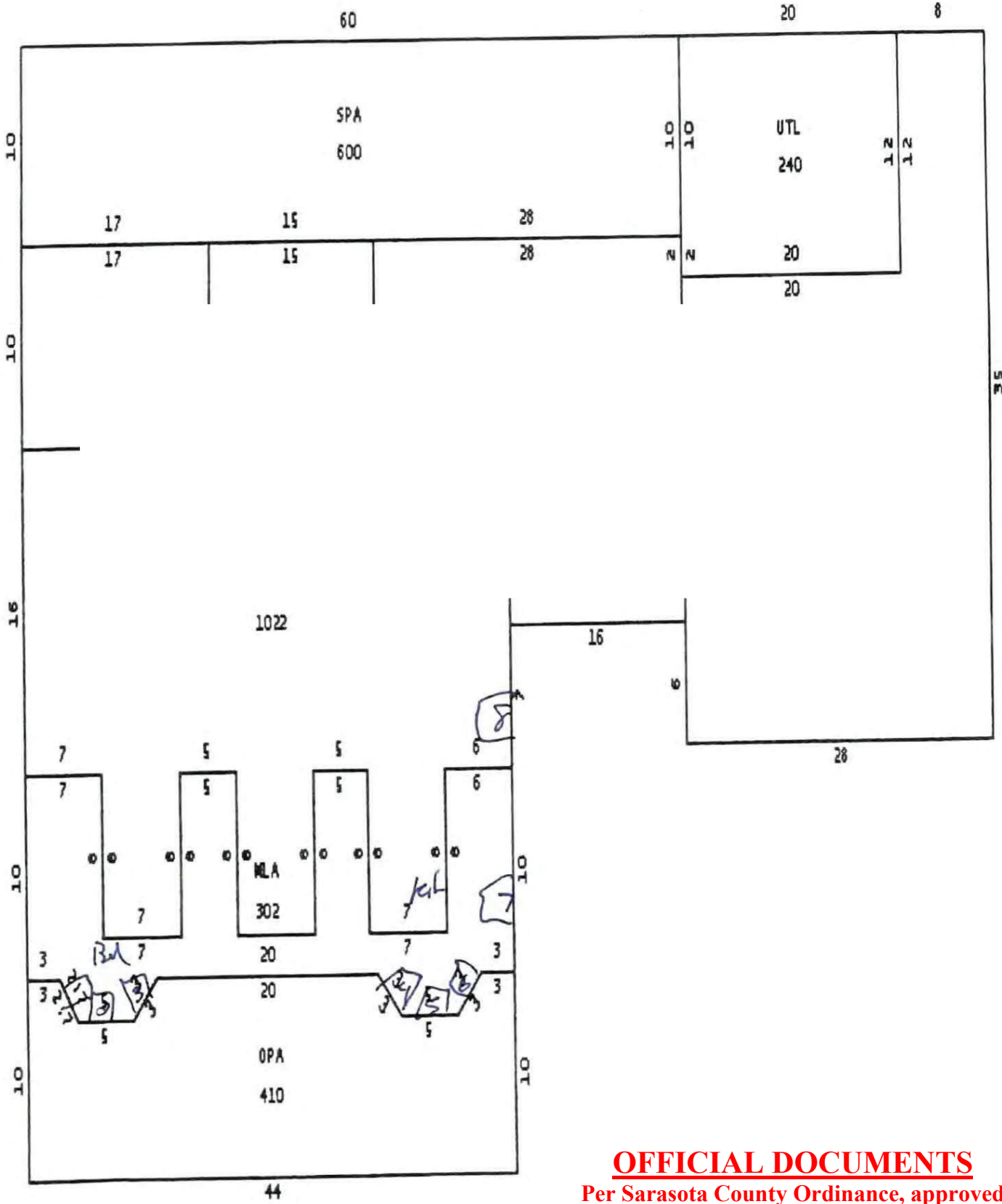
ADDRESS: 13788 PINE WOODS LN W

REVIEWED FOR CODE COMPLIANCE

YEAR: 1996



10:37 am, Jul 11 2023



OFFICIAL DOCUMENTS
 Per Sarasota County Ordinance, approved plans must be on-site at time of inspection.
Sarasota County Planning & Development Services



10741 Crossroads Commerce Blvd
 Tampa, FL 33610
 USA
 PH: (813)-626-6000
<http://newsouthwindow.com/>

ORDER: O-53396
ORDER DATE: 6/20/2023
EST. DELIVERY DATE: 8/15/2023
ORDER CONTACT: 279186

ORDER ACKNOWLEDGEMENT

INVOICE INFORMATION

Sarasota Retail
 3125 Lakewood Ranch Blvd
 Suite 112
 Bradenton, FL 34211

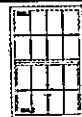
SHIPPING INFORMATION

Sarasota Retail[Sarasota]
 3125 Lakewood Ranch Blvd
 Suite 112
 Bradenton, FL 34211

SHIP VIA: OUR TRUCK

ORDER	ORDER DATE	PO NUMBER	CUSTOMER REF	TERMS	
O-53396	6/20/2023	SAR Maldaver , Diane	SAR Maldaver , Diane	NET 30	
ITEM	DESCRIPTION	QTY	SIZE	PRICE	TOTAL
1	9450 IMPACT SINGLE HUNG ASTM WHITE FIN/FLANGE THROUGH FRAME INSTALLATION EQUAL SPLIT SASH MAXIMUM DESIGN PRESSURE UNIT GLASS DOUBLE STRENGTH 366 STANDARD LOW-E CLEAR GLASS .090-INCH PVB CLEAR COLONIAL=[1V1H] WHITE GRIDS FLAT HALF SCREEN FLORIDA DP INFORMATIONAL=[+55 / -65] FLORIDA PRODUCT APPROVAL #=[40526] SOLAR HEAT GAIN=[0.19] U VALUE=[0.28] VISIBLE LIGHT=[0.44] 1 BED	1	22 W X 70 1/4 H		

ORDER	ORDER DATE	PO NUMBER	CUSTOMER REF	TERMS	
O-53396	6/20/2023	SAR Maldaver , Diane	SAR Maldaver , Diane	NET 30	
ITEM	DESCRIPTION	QTY	SIZE	PRICE	TOTAL
2	9450 IMPACT SINGLE HUNG ASTM WHITE FIN/FLANGE THROUGH FRAME INSTALLATION EQUAL SPLIT SASH MAXIMUM DESIGN PRESSURE UNIT GLASS DOUBLE STRENGTH 366 STANDARD LOW-E CLEAR GLASS .090-INCH PVB CLEAR COLONIAL=[3V1H] WHITE GRIDS FLAT HALF SCREEN FLORIDA DP INFORMATIONAL=[+55 / -65] FLORIDA PRODUCT APPROVAL #=[40526] SOLAR HEAT GAIN=[0.19] U VALUE=[0.28] VISIBLE LIGHT=[0.44] 2 BED	1	46 W X 70 1/4 H		
3	9450 IMPACT SINGLE HUNG ASTM WHITE FIN/FLANGE THROUGH FRAME INSTALLATION EQUAL SPLIT SASH MAXIMUM DESIGN PRESSURE UNIT GLASS DOUBLE STRENGTH 366 STANDARD LOW-E CLEAR GLASS .090-INCH PVB CLEAR COLONIAL=[1V1H] WHITE GRIDS FLAT HALF SCREEN FLORIDA DP INFORMATIONAL=[+55 / -65] FLORIDA PRODUCT APPROVAL #=[40526] SOLAR HEAT GAIN=[0.19] U VALUE=[0.28] VISIBLE LIGHT=[0.44] 3-4 BED/DINING	2	22 W X 70 1/4 H		



ORDER	ORDER DATE	PO NUMBER	CUSTOMER REF	TERMS	
O-53396	6/20/2023	SAR Maldaver , Diane	SAR Maldaver , Diane	NET 30	
ITEM	DESCRIPTION	QTY	SIZE	PRICE	TOTAL
4	9450 IMPACT SINGLE HUNG ASTM WHITE FIN/FLANGE THROUGH FRAME INSTALLATION EQUAL SPLIT SASH MAXIMUM DESIGN PRESSURE UNIT GLASS DOUBLE STRENGTH 366 STANDARD LOW-E CLEAR GLASS .090-INCH PVB CLEAR COLONIAL=[3V1H] WHITE GRIDS FLAT HALF SCREEN FLORIDA DP INFORMATIONAL=[+55 / -65] FLORIDA PRODUCT APPROVAL #=[40526] SOLAR HEAT GAIN=[0.19] U VALUE=[0.28] VISIBLE LIGHT=[0.44]	1	46 1/4 W X 70 1/4 H		
	5 DINING				
5	9450 IMPACT SINGLE HUNG ASTM WHITE FIN/FLANGE THROUGH FRAME INSTALLATION EQUAL SPLIT SASH MAXIMUM DESIGN PRESSURE UNIT GLASS DOUBLE STRENGTH 366 STANDARD LOW-E CLEAR GLASS .090-INCH PVB CLEAR COLONIAL=[1V1H] WHITE GRIDS FLAT HALF SCREEN FLORIDA DP INFORMATIONAL=[+55 / -65] FLORIDA PRODUCT APPROVAL #=[40526] SOLAR HEAT GAIN=[0.19] U VALUE=[0.28] VISIBLE LIGHT=[0.44]	1	22 W X 70 1/4 H		
	6 DINING				

ORDER	ORDER DATE	PO NUMBER	CUSTOMER REF	TERMS	
O-53396	6/20/2023	SAR Maldaver , Diane	SAR Maldaver , Diane	NET 30	
ITEM	DESCRIPTION	QTY	SIZE	PRICE	TOTAL
6	9550 OX/XO IMPACT HORIZONTAL ROLLER ASTM WHITE FIN/FLANGE THROUGH FRAME INSTALLATION SLIDER OX EQUAL SPLIT SASH STANDARD DESIGN PRESSURE UNIT GLASS DOUBLE STRENGTH 366 STANDARD LOW-E CLEAR GLASS .090-INCH PVB CLEAR COLONIAL=[2V3H] WHITE GRIDS FLAT HALF SCREEN FLORIDA DP INFORMATIONAL=[+50 / -60] FLORIDA PRODUCT APPROVAL #=[39124] SOLAR HEAT GAIN=[0.20] U VALUE=[0.28] VISIBLE LIGHT=[0.44] 7 DINING	1	69 3/4 W X 58 1/4 H		
7	9550 OX/XO IMPACT HORIZONTAL ROLLER ASTM WHITE FIN/FLANGE THROUGH FRAME INSTALLATION SLIDER XO EQUAL SPLIT SASH STANDARD DESIGN PRESSURE UNIT GLASS DOUBLE STRENGTH 366 STANDARD LOW-E CLEAR GLASS .090-INCH PVB CLEAR COLONIAL=[2V3H] WHITE GRIDS FLAT HALF SCREEN FLORIDA DP INFORMATIONAL=[+50 / -60] FLORIDA PRODUCT APPROVAL #=[39124] SOLAR HEAT GAIN=[0.20] U VALUE=[0.28] VISIBLE LIGHT=[0.44] 8 DINING	1	69 3/4 W X 58 1/4 H		
TOTALS:			8		
				SUBTOTAL:	
				FLORIDA 6%:	
				SARASOTA 1%:	
				TOTAL:	

COMMENT:



Product Approval
USER: Public User

[Product Approval Menu](#) > [Product or Application Search](#) > [Application List](#) > **Application Detail**

OFFICE OF THE
SECRETARY

FL #	FL39124-R2
Application Type	Revision
Code Version	2020
Application Status	Approved
Comments	
Archived	<input type="checkbox"/>
Product Manufacturer	NewSouth Window Solutions
Address/Phone/Email	10741 Crossroads Commerce Blvd. tampa, FL 33610 (813) 626-6000 jrosowski@pgtindustries.com
Authorized Signature	Jens Rosowski jrosowski@pgtindustries.com
Technical Representative	Lynn Miller, P.E.
Address/Phone/Email	1070 Technology Dr Innovations Lab N Venice, FL 34275 (941) 480-1600 Ext 21142 lmilleri@pgtindustries.com
Quality Assurance Representative	
Address/Phone/Email	
Category	Windows
Subcategory	Horizontal Slider
Compliance Method	Evaluation Report from a Florida Registered Architect or a Licensed Florida Professional Engineer <input type="checkbox"/> Evaluation Report - Hardcopy Received
Florida Engineer or Architect Name who developed the Evaluation Report	A. Lynn Miller, P.E.
Florida License	PE-58705
Quality Assurance Entity	National Accreditation and Management Institute
Quality Assurance Contract Expiration Date	12/31/2023
Validated By	Steven M. Urich, PE <input checked="" type="checkbox"/> Validation Checklist - Hardcopy Received
Certificate of Independence	FL39124_R2_COI_Cert of Independence.pdf

Referenced Standard and Year (of Standard)

Standard	Year
AAMA/WDMA/CSA 101/1S2/A440	2008
AAMA/WDMA/CSA 101/1S2/A440	2011
AAMA/WDMA/CSA 101/1S2/A440	2017
ASTM E1886	2005
ASTM E1996	2005
ASTM E1996	2006
ASTM E1996	2009
TAS 201, 202, 203	1994

OFFICIAL DOCUMENTS
Per Sarasota County Ordinance, approved plans must be on-site at time of inspection.
Sarasota County Planning & Development Services

Equivalence of Product Standards
Certified By

Florida Licensed Professional Engineer or Architect
[FL39124 R2 Equiv ASTM E1886-04-05 to E1886-13a and E1996-05-06-09 to E1996-17 Equivalency Letter 2020-09-09.pdf](#)

Sections from the Code

Product Approval Method

Method 1 Option D

Date Submitted

12/19/2022

Date Validated

12/21/2022

Date Pending FBC Approval

12/27/2022

Date Approved

02/07/2023

Summary of Products

FL #	Model, Number or Name	Description
39124.1	Model 8500	Vinyl, Non-impact Resistant Horizontal Roller, XO & XOX
Limits of Use Approved for use in HVHZ: No Approved for use outside HVHZ: Yes Impact Resistant: No Design Pressure: N/A Other: Please see the enclosed documents for product performance information, anchorage details, and anchor type, size, and spacing information.		Installation Instructions FL39124 R2 II HR8000-FPA-NI.pdf Verified By: A. Lynn Miller, P.E. PE-58705 Created by Independent Third Party: No Evaluation Reports FL39124 R2 AE HR8500 NI - ENG EVAL.pdf Created by Independent Third Party: No
39124.2	Model 8550	Vinyl, Impact Resistant Horizontal Roller, XO
Limits of Use Approved for use in HVHZ: No Approved for use outside HVHZ: Yes Impact Resistant: Yes Design Pressure: N/A Other: Please see the enclosed documents for product performance information, anchorage details, and anchor type, size, and spacing information.		Installation Instructions FL39124 R2 II HR8000-FPA-LM.pdf Verified By: A. Lynn Miller, P.E. PE-58705 Created by Independent Third Party: No Evaluation Reports FL39124 R2 AE HR8550 LM - ENG EVAL.pdf Created by Independent Third Party: No
39124.3	Model 9500	Vinyl, Non-impact Resistant Horizontal Roller, XO & XOX, All Frame Types
Limits of Use Approved for use in HVHZ: No Approved for use outside HVHZ: Yes Impact Resistant: No Design Pressure: N/A Other: Please see the enclosed documents for product performance information, anchorage details, and anchor type, size, and spacing information.		Installation Instructions FL39124 R2 II HR9000-FPA-NI.pdf Verified By: A. Lynn Miller, P.E. PE-58705 Created by Independent Third Party: No Evaluation Reports FL39124 R2 AE HR9000 NI - ENG EVAL.pdf Created by Independent Third Party: No
39124.4	Model 9550	Vinyl, Impact Resistant Horizontal Roller, XO & XOX, All Frame Types
Limits of Use Approved for use in HVHZ: No Approved for use outside HVHZ: Yes Impact Resistant: Yes Design Pressure: N/A Other: Please see the enclosed documents for product performance information, anchorage details, and anchor type, size, and spacing information.		Installation Instructions FL39124 R2 II HR9000-FPA-LM a.pdf Verified By: A. Lynn Miller, P.E. PE-58705 Created by Independent Third Party: No Evaluation Reports FL39124 R2 AE HR9000 LM - ENG EVAL.pdf Created by Independent Third Party: No
39124.5	Model 9550	Vinyl, Impact Resistant Horizontal Roller, XO & XOX, HVHZ, All Frame Types
Limits of Use Approved for use in HVHZ: Yes Approved for use outside HVHZ: Yes Impact Resistant: Yes Design Pressure: N/A Other: Please see the enclosed documents for product performance information, anchorage details, and anchor type, size, and spacing information.		Installation Instructions FL39124 R2 II HR9000-FPA-LM HVHZ.pdf Verified By: A. Lynn Miller, P.E. PE-58705 Created by Independent Third Party: No Evaluation Reports FL39124 R2 AE Eng Eval - HR9500 LM HVHZ.pdf Created by Independent Third Party: No

OFFICIAL DOCUMENTS

Per Sarasota County Ordinance, approved
 approved for use outside HVHZ Yes
 approved for use outside HVHZ Yes

**Sarasota County Planning
& Development Services**



SERIES 9000, MODEL 9550 (OX/XO) &
 SERIES 9000, MODEL 9550-3 (XOX)
 HORIZONTAL ROLLER WINDOW,
 LM/SM IMPACT RESISTANT,
 FLANGE, EQUAL-LEG & FIN FRAMES

FLORIDA PRODUCT APPROVAL #39124

DP RATING SEE TABLES 1 & 2	LARGE & SMALL MISSILE IMPACT RESISTANT
-------------------------------	--



1) THIS PRODUCT HAS BEEN DESIGNED & TESTED TO COMPLY WITH THE REQUIREMENTS OF THE FLORIDA BUILDING CODE, EXCLUDING THE HIGH VELOCITY HURRICANE ZONE (HVHZ).

2) SHUTTERS ARE NOT REQUIRED WHEN USED IN WIND-BORNE DEBRIS REGIONS.

3) MASONRY ANCHORS MAY BE USED INTO WOOD. ALL WOOD BUCKS LESS THAN 1-1/2" THICK ARE TO BE CONSIDERED 1X INSTALLATIONS. 1X WOOD BUCKS ARE OPTIONAL IF UNIT IS INSTALLED DIRECTLY TO SUBSTRATE. WOOD BUCKS DEPICTED AS 2X ARE 1-1/2" THICK OR GREATER.

4) ANCHOR EMBEDMENT TO BASE MATERIAL SHALL BE BEYOND WALL DRESSING OR STUCCO. USE ANCHORS OF SUFFICIENT LENGTH.

5) MAX. 1/4" SHIMS ARE REQUIRED AT EACH ANCHOR LOCATION WHERE THE PRODUCT IS NOT FLUSH TO THE SUBSTRATE. USE SHIMS CAPABLE OF TRANSFERRING APPLIED LOADS.

6) THE ANCHORAGE METHODS SHOWN HAVE BEEN DESIGNED TO RESIST THE WIND LOADS CORRESPONDING TO THE REQUIRED DESIGN PRESSURE. THE 33-1/3% STRESS INCREASE HAS NOT BEEN USED IN THE DESIGN OF THIS PRODUCT. THE 1.6 LOAD DURATION FACTOR WAS USED FOR THE EVALUATION OF ANCHORS INTO WOOD. ANCHORS THAT COME INTO CONTACT WITH OTHER DISSIMILAR MATERIALS SHALL MEET THE REQUIREMENTS OF THE FLORIDA BUILDING CODE FOR CORROSION RESISTANCE.

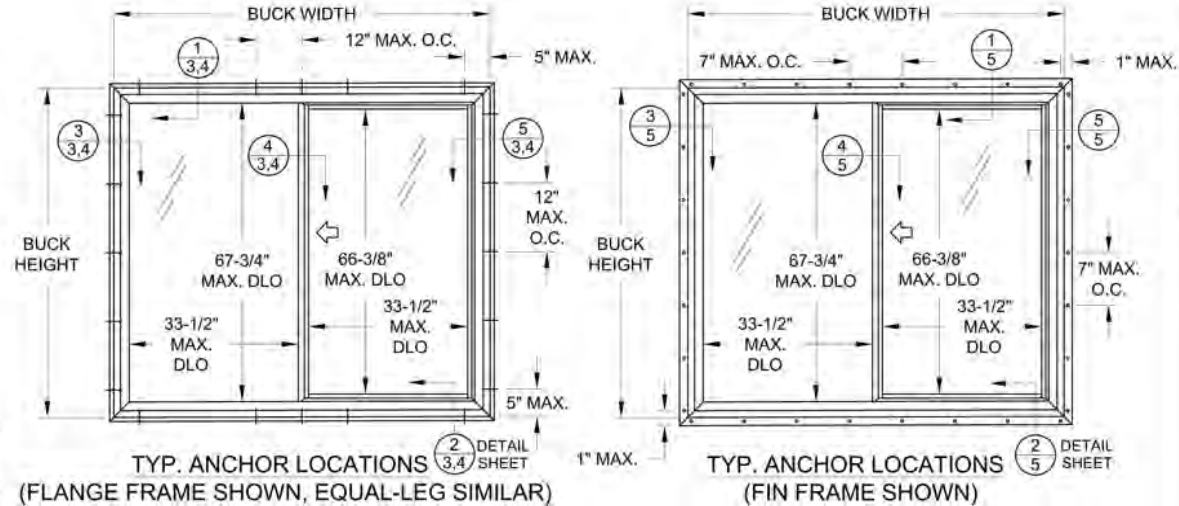


TABLE 1: DESIGN PRESSURES

Buck Width	Buck Height	Configuration	Impact Level	Frame Type	Glass Types	Design Pressure	
						(+) psf	(-) psf
74"	63"	XO/OX	LM/SM	All	1 or 2	50.0	60.0
74"	72"	XO/OX	LM/SM	Flange, Equal-Leg	1 or 2	45.0	50.0

1) FOR SIZES NOT SHOWN, ROUND UP TO THE NEXT AVAILABLE WIDTH OR HEIGHT DIMENSION.
 2) FOR GLASS TYPES, SEE SHEET 7.

A LYNN MILLER, P.E. P.E.# 58706

REGISTRATION #29296
 NEWSOUTH WINDOW SOLUTIONS
 UNITS FOR PERMITTING
 COPIES FOR PERMITTING

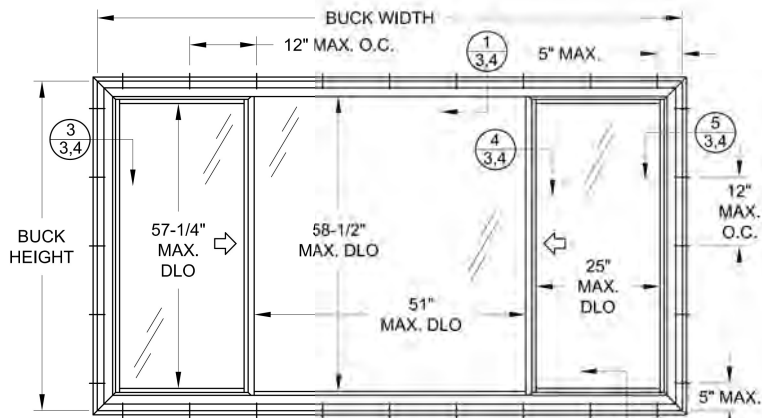
PREPARED BY: A. LYNN MILLER, P.E.
 1070 TECHNOLOGY DR
 N. VENICE, FL 34275
 (941)-480-1600

BY: 9000 SERIES HORIZ. ROLLER
 MODELS 9550 & 9550-3, LM
 GENERAL NOTES, XO DESIGN
 PRESSURES & ANCHOR ELEVATION

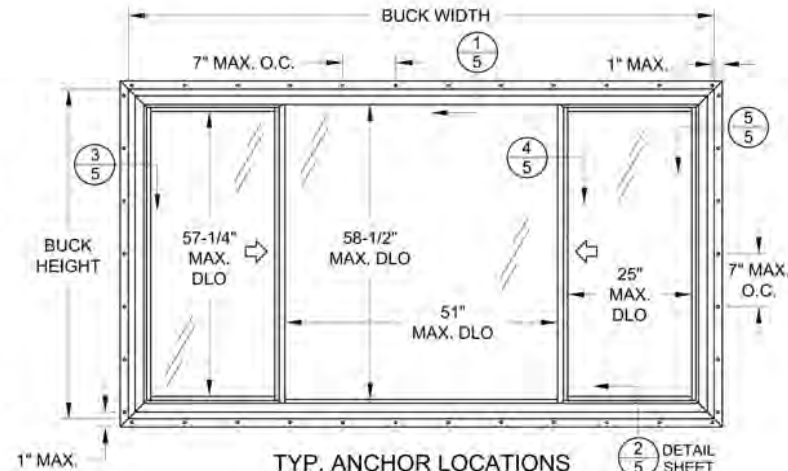
NEWSOUTH WINDOW SOLUTIONS
 10741 CROSSROADS COMMERCE BLVD.
 TAMPA, FL 33610

REVISION:		
DATE:	12/22	
#:	1	
DATE:	12/14/2022	
SCALE:	NTS	
BY:	LOGAN YODER	
DRAWING #:	HR9000-FPA-LM	
SHEET:	1 OF 7	

OFFICIAL DOCUMENTS
 Per Sarasota County Ordinance, approved
 plans must be on-site at time of inspection.
**Sarasota County Planning
 & Development Services**



TYP. ANCHOR LOCATIONS
(FLANGE FRAME SHOWN, EQUAL-LEG SIMILAR)
(1/4 - 1/2 - 1/4 CONFIGURATION SHOWN)



TYP. ANCHOR LOCATIONS
(FIN FRAME SHOWN)
(1/4 - 1/2 - 1/4 CONFIGURATION SHOWN)

TABLE 2: XOX DESIGN PRESSURES

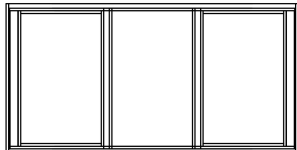
Buck Width	Buck Height	Configuration	Impact Level	Frame Type	Glass Types	Design Pressure	
						(+) psf	(-) psf
82-7/8"	63"	1/3 - 1/3 - 1/3 XOX	LM/SM	All	1, 2, 3 or 4 (operable) 3 or 4 (fixed lite)	50.0	55.0
111"	63"	1/4 - 1/2 - 1/4 XOX	LM/SM	All	1, 2, 3 or 4 (operable) 4 (fixed lite)	50.0	55.0
111"	63"	1/4 - 1/2 - 1/4 XOX	LM/SM	All	1, 2, 3 or 4 (operable) 3 (fixed lite)	See Table 2A	

1) FOR SIZES NOT SHOWN, ROUND UP TO THE NEXT AVAILABLE WIDTH OR HEIGHT DIMENSION.
2) FOR GLASS DESCRIPTIONS, SEE SHEET 7.

TABLE 2A:

Design Pressure	XOX 1/4 - 1/2 - 1/4 using Glass Types 3 at Fixed Lite						
	Height	Width					
		60"	72"	84"	96"	108"	111"
36"	+50/-55	+50/-55	+50/-55	+50/-55	+50/-55	+50/-55	
48"	+50/-55	+50/-55	+50/-55	+50/-55	+50/-55	+50/-55	
54"	+50/-55	+50/-55	+50/-55	+50/-55	+50/-55	+50/-55	
60"	+50/-55	+50/-55	+50/-55	+50/-55	+50.0/-52.9	+50.0/-52.2	
63"	+50/-55	+50/-55	+50/-55	+50.0/-54.2	+50.0/-50.4	+/-49.6	

1) FOR SIZES NOT SHOWN, ROUND UP TO THE NEXT AVAILABLE WIDTH OR HEIGHT DIMENSION.
2) FOR GLASS DESCRIPTIONS, SEE SHEET 7.



WINDOW MAY BE A 1/4 - 1/2 - 1/4 CONFIGURATION (AS SHOWN ABOVE), OR 1/3 - 1/3 - 1/3 CONFIGURATION (AS SHOWN TO THE LEFT) PROVIDED DLO (DAYLITE OPENING) SIZES ARE NOT EXCEEDED.



A LYNN MILLER, P.E. P.E.# 58706

REGISTRATION #29296
 COPYRIGHT © 2021
 NEWSOUTH WINDOW SOLUTIONS
 UNLIMITED COPIES FOR PERMITTING

PREPARED BY: A. LYNN MILLER, P.E.
 1070 TECHNOLOGY DR
 N. VENICE, FL 34275
 (941)-480-1600

BY: 8000 SERIES HORIZ. ROLLER
 MODELS 9550 & 9550-3, LM
 GENERAL NOTES, XOX DESIGN
 PRESSURES & ANCHOR ELEVATION

NEWSOUTH WINDOW SOLUTIONS
 10741 CROSSROADS COMMERCE BLVD.
 TAMPA, FL 33610

REVISION:	BY:	DATE:
MINOR EDITORIAL UPDATES	LY	12/22

DATE: 12/14/2022
 SCALE: NTS
 BY: LOGAN YODER
 DRAWING #: HR9000-FPA-LM
 SHEET: 2 OF 7



A. LYNN MILLER, P.E., P.E.# 58705

REGISTRATION #29296
 COPYRIGHT © 2021
 NEWSOUTH WINDOW SOLUTIONS
 ALL RIGHTS RESERVED. NO
 COPIES FOR PERMITTING

PREPARED BY: A. LYNN MILLER, P.E.
 1070 TECHNOLOGY DR
 N. VENICE, FL 34275
 (941)-480-1600

BY: 9000 SERIES HORIZ. ROLLER
 MODELS 9550 & 9550-3, LM
 FLANGE INSTALLATION & ANCHOR TYPES

NEWSOUTH WINDOW SOLUTIONS
 10741 CROSSROADS COMMERCE BLVD.
 TAMPA, FL 33610

REVISION:	1	MINOR EDITORIAL UPDATES
DATE:	12/22	
#:	1	
DATE:	12/14/2022	
SCALE:	NTS	
BY:	LOGAN YODER	
DRAWING #:	HR9000-FPA-LM	
SHEET:	3 OF 7	

1 HEAD FLANGE FRAME X-SECTION INTO 2X WOOD OR MASONRY

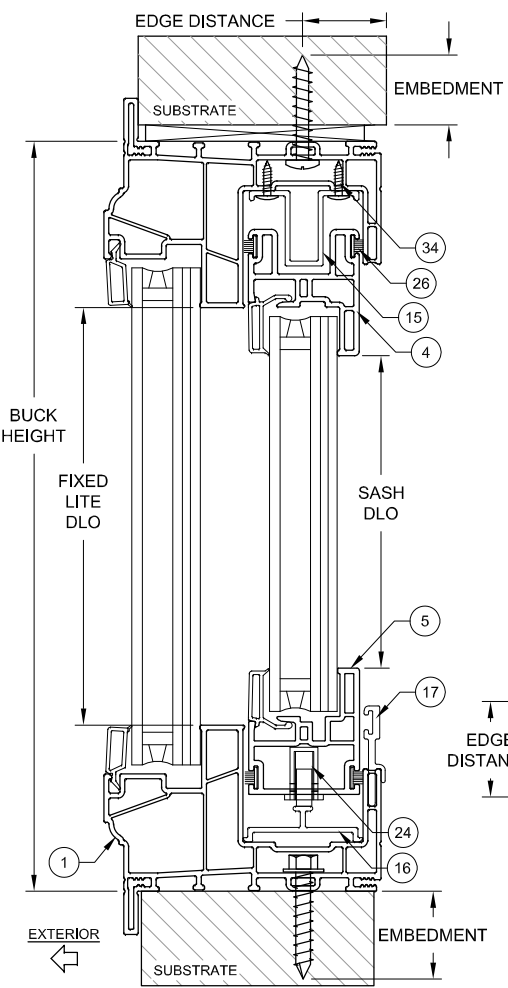


TABLE 3: INSTALLATION ANCHORS

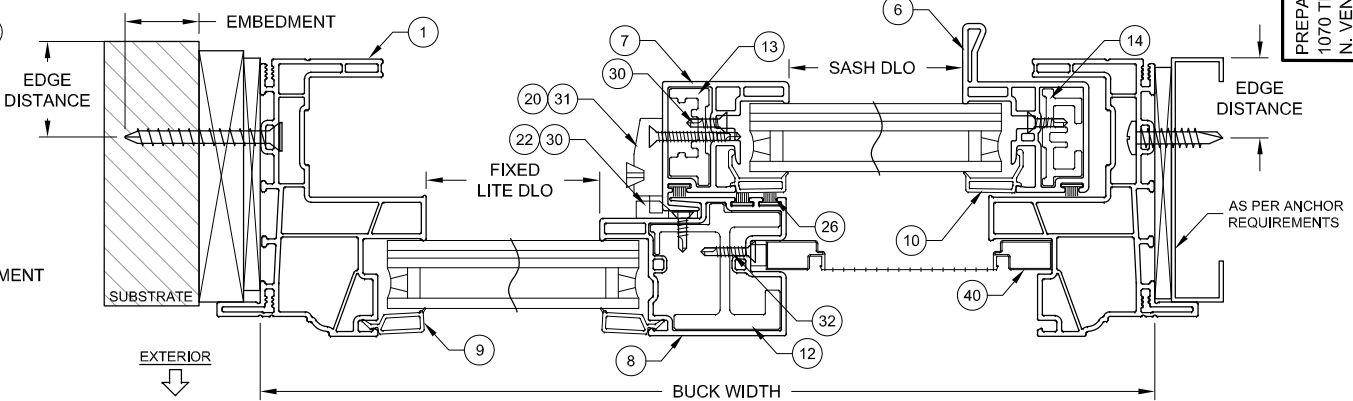
Anchor	Substrate	Minimum Edge Distance	Minimum Embedment
#10 or #12 Steel or 410 SS Screw	Southern Pine (SG = .55)	9/16"	1-3/8"
	Aluminum, 6063-T5 min.	3/8"	0.050"
	Steel Stud, Gr. 33 min. A36 Steel	3/8"	0.045" (20 Ga)
3/16" Steel Ultracon+	Concrete (min. 2.9 ksi)	1"	1-3/4"
	UngROUTED CMU, (ASTM C-90)	1"	1-1/4"
	Southern Pine (SG = .55)	1"	1-3/8"
1/4" Steel Ultracon+	Concrete (min. 3.0 ksi)	1"	1-3/8"
	UngROUTED CMU, (ASTM C-90)	1"	1-1/4"
	Southern Pine (SG = .55)	1"	1-3/8"

- 1) ANCHOR MUST EXTEND A MINIMUM OF 3 THREADS BEYOND ANY METAL SUBSTRATE.
- 2) "UNGRouted CMU" VALUES MAY BE USED FOR GRouted CMU APPLICATIONS.
- 3) ALL ANCHOR HEAD TYPES ARE APPLICABLE.

INSTALLATION NOTES:

- 1) SEE SHEET 1 FOR ANCHOR SPACING REQUIREMENTS.
- 2) ANY INSTALLATION OPTION SHOWN (2X BUCK OR WOOD FRAMING, 1X BUCK, DIRECT TO MASONRY, STEEL STUD) MAY BE USED ON ANY SIDE OF THE WINDOW.
- 3) USE ONLY SUBSTRATE APPROPRIATE ANCHORS LISTED IN ANCHOR TABLE 3. FOLLOW EMBEDMENT AND EDGE DISTANCE LIMITS. MAX. SHIM THICKNESS TO BE 1/4".

2 SILL FLANGE FRAME X-SECTION INTO 2X WOOD OR MASONRY



3 JAMB FLANGE FRAME X-SECTION THRU 1X INTO 2X WOOD OR MASONRY

4 MEETING RAIL X-SECTION SHOWN FOR OX CONFIGURATION (XOX SIMILAR)

5 JAMB FLANGE FRAME X-SECTION USING SCREWS INTO METAL



A. LYNN MILLER, P.E., P.E.# 58705

REGISTRATION #29296
 COPYRIGHT © 2021
 NEWSOUTH WINDOW SOLUTIONS
 ALL RIGHTS RESERVED
 COPIES FOR PERMITTING

PREPARED BY: A. LYNN MILLER, P.E.
 1070 TECHNOLOGY DR
 N. VENICE, FL 34275
 (941)-480-1600

BY: 9000 SERIES HORIZ. ROLLER
 MODELS 9550 & 9550-3, LM
 EQUAL-LEG INSTALLATION &
 ANCHOR TYPES
 NEWSOUTH WINDOW SOLUTIONS
 10741 CROSSROADS COMMERCE BLVD.
 TAMPA, FL 33610

REVISION:	
DATE:	12/22
#:	1

DATE: 12/14/2022
 SCALE: NTS
 BY: LOGAN YODER
 DRAWING #: HR9000-FPA-LM
 SHEET: 4 OF 7

TABLE 4: INSTALLATION ANCHORS

Anchor	Substrate	Minimum Edge Distance	Minimum Embedment
#10 or #12 Steel or 410 SS Screw	Southern Pine (SG = .55)	9/16"	1-3/8"
	Aluminum, 6063-T5 min.	3/8"	0.050"
	Steel Stud, Gr. 33 min. A36 Steel	3/8"	0.045" (20 Ga) 0.050"
3/16" Steel Ultracon+	Concrete (min. 2.9 ksi)	1"	1-3/4"
	UngROUTED CMU, (ASTM C-90)	1"	1-1/4"
	Southern Pine (SG = .55)	1"	1-3/8"
1/4" Steel Ultracon+	Concrete (min. 3.0 ksi)	1"	1-3/8"
	UngROUTED CMU, (ASTM C-90)	1"	1-1/4"
	Southern Pine (SG = .55)	1"	1-3/8"

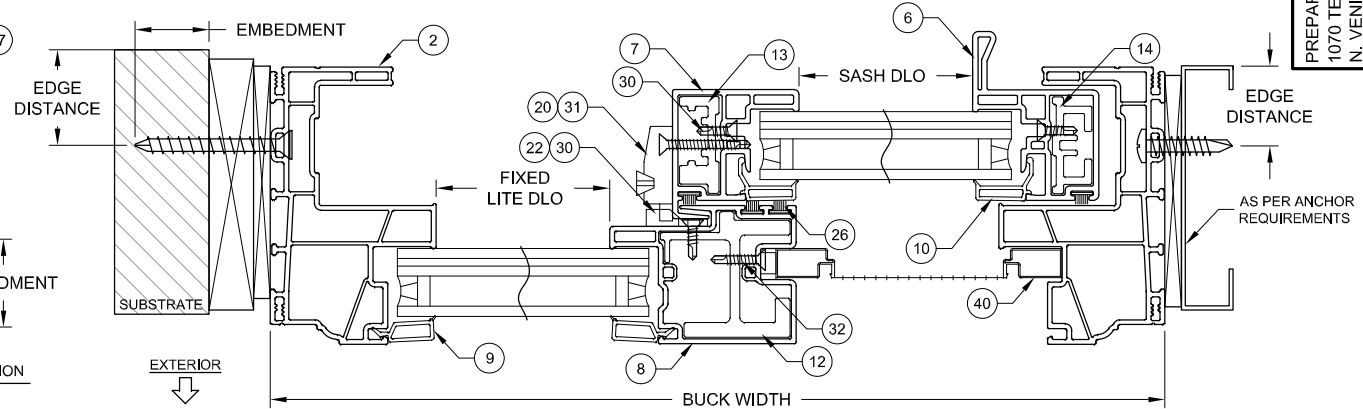
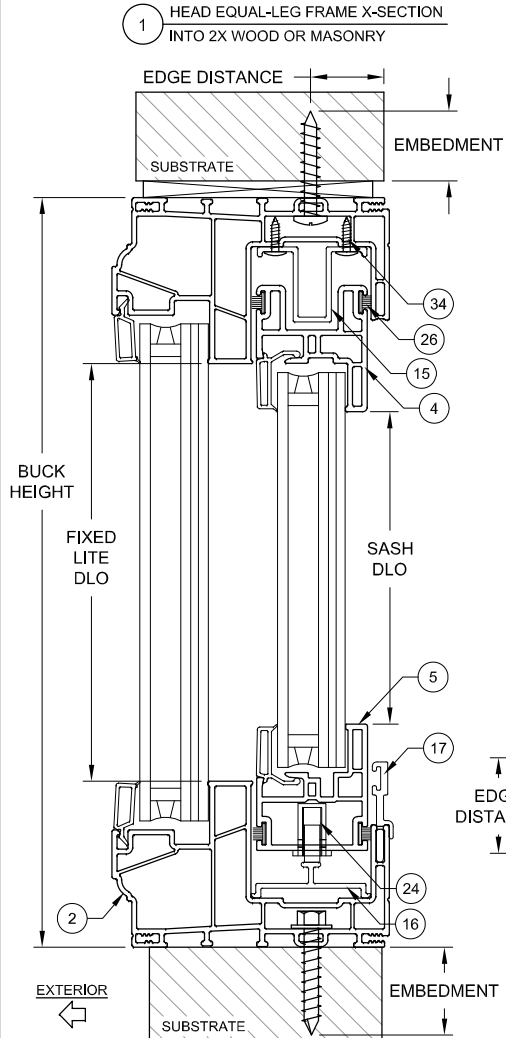
INSTALLATION NOTES:

1) SEE SHEET 1 FOR ANCHOR SPACING REQUIREMENTS.

2) ANY INSTALLATION OPTION SHOWN (2X BUCK OR WOOD FRAMING, 1X BUCK, DIRECT TO MASONRY, STEEL STUD) MAY BE USED ON ANY SIDE OF THE WINDOW.

3) USE ONLY SUBSTRATE APPROPRIATE ANCHORS LISTED IN ANCHOR TABLE 4. FOLLOW EMBEDMENT AND EDGE DISTANCE LIMITS. MAX. SHIM THICKNESS TO BE 1/4".

- 1) ANCHOR MUST EXTEND A MINIMUM OF 3 THREADS BEYOND ANY METAL SUBSTRATE.
- 2) "UNGROUTED CMU" VALUES MAY BE USED FOR GROUTED CMU APPLICATIONS.
- 3) ALL ANCHOR HEAD TYPES ARE APPLICABLE.



2 SILL EQUAL-LEG FRAME X-SECTION INTO 2X WOOD OR MASONRY

3 JAMB EQUAL-LEG FRAME X-SECTION THRU 1X INTO 2X WOOD OR MASONRY

4 MEETING RAIL X-SECTION SHOWN FOR OX CONFIGURATION (XOX SIMILAR)

5 JAMB EQUAL-LEG FRAME X-SECTION USING SCREWS INTO METAL



A. LYNN MILLER, P.E., P.E.# 58705

REGISTRATION #29296
 COPYRIGHT © 2021
 NEWSOUTH WINDOW SOLUTIONS
 ALL RIGHTS RESERVED
 COPIES FOR PERMITTING

PREPARED BY: A. LYNN MILLER, P.E.
 1070 TECHNOLOGY DR
 N. VENICE, FL 34275
 (941)-480-1600

BY: 9000 SERIES HORIZ. ROLLER
 MODELS 9550 & 9550-3, LM
 FIN INSTALLATION & ANCHOR TYPES
 NEWSOUTH WINDOW SOLUTIONS
 10741 CROSSROADS COMMERCE BLVD.
 TAMPA, FL 33610

REVISION:	REVISION:
DATE:	DATE:
#:	#:
12/22	12/22
MINOR EDITORIAL UPDATES	MINOR EDITORIAL UPDATES
1	1

DATE: 12/14/2022
 SCALE: NTS
 BY: LOGAN YODER
 DRAWING #: HR9000-FPA-LM
 SHEET: 5 OF 7

TABLE 5: INSTALLATION ANCHORS

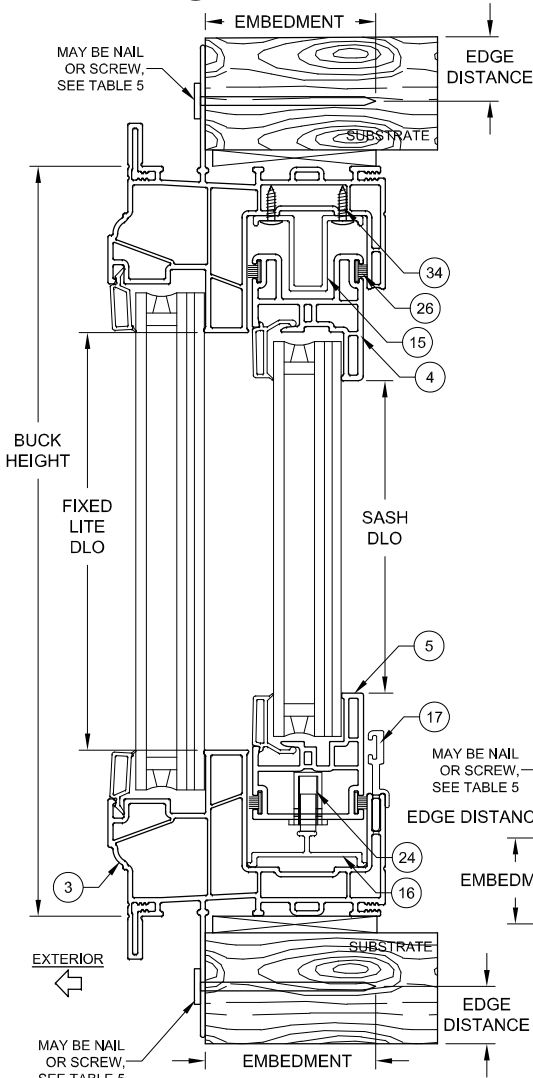
Anchor	Substrate	Min. Edge Distance	Min. Embedment
2-1/2" x .113" Box Nail	P.T. Southern Pine (SG = .55)	5/16"	2-7/16"
2-1/2" x .131" Common Nail	P.T. Southern Pine (SG = .55)	3/8"	2-7/16"
2-1/2" x .145" Roofing Nail	P.T. Southern Pine (SG = .55)	3/8"	2-7/16"
#10 Steel SMS	P.T. Southern Pine (SG = .55)	1/2"	1-3/8"
	Aluminum, 6063-T5 min.	3/8"	1/8"
	Steel Stud, Gr. 33 min.	3/8"	0.036
	A36 Steel	3/8"	1/8"

- ANCHOR MUST EXTEND A MINIMUM OF 3 THREADS BEYOND ANY METAL SUBSTRATE.
- ALL ANCHOR HEAD TYPES ARE APPLICABLE.

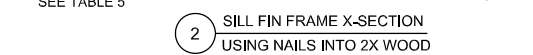
INSTALLATION NOTES:

- SEE SHEET 1 FOR SPACING REQUIREMENTS.
- FLANGE AND/OR FIN MAY BE REMOVED TO CREATE OTHER FRAME TYPES.
- USE ONLY SUBSTRATE APPROPRIATE ANCHORS LISTED IN ANCHOR TABLE 5. FOLLOW EMBEDMENT AND EDGE DISTANCE LIMITS. ANY INSTALLATION OPTION SHOWN MAY BE USED ON ANY OR ALL SIDES OF THE WINDOW.
- MAX. SHIM THICKNESS TO BE 1/4". MAX. SHIM SPACING TO BE 18".

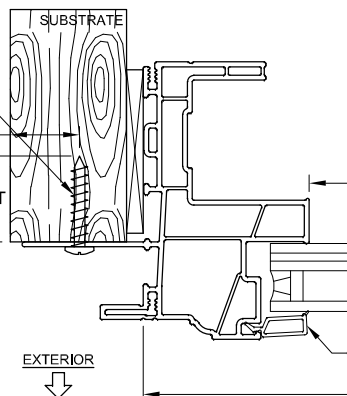
1 HEAD FIN FRAME X-SECTION USING NAILS INTO 2X WOOD



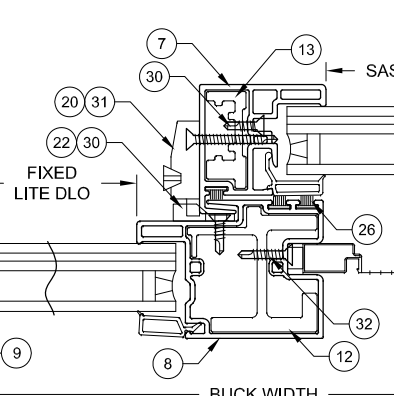
2 SILL FIN FRAME X-SECTION USING NAILS INTO 2X WOOD



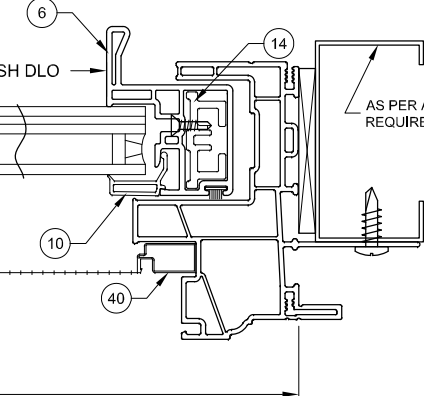
3 JAMB FIN FRAME X-SECTION USING SCREWS INTO 2X WOOD



4 MEETING RAIL X-SECTION SHOWN FOR OX CONFIGURATION (XOX SIMILAR)



5 JAMB FIN FRAME X-SECTION USING SCREWS INTO METAL



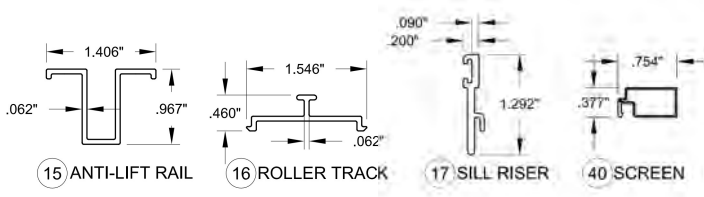
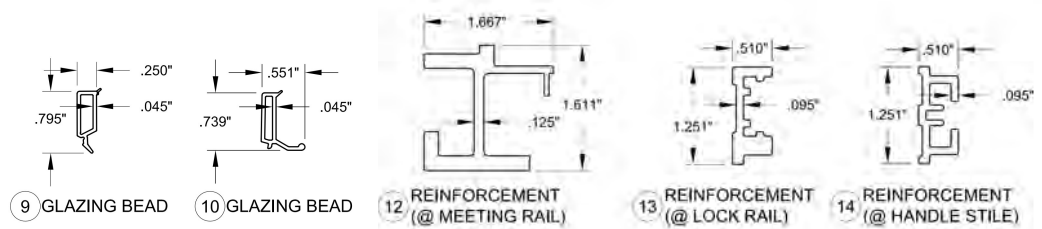
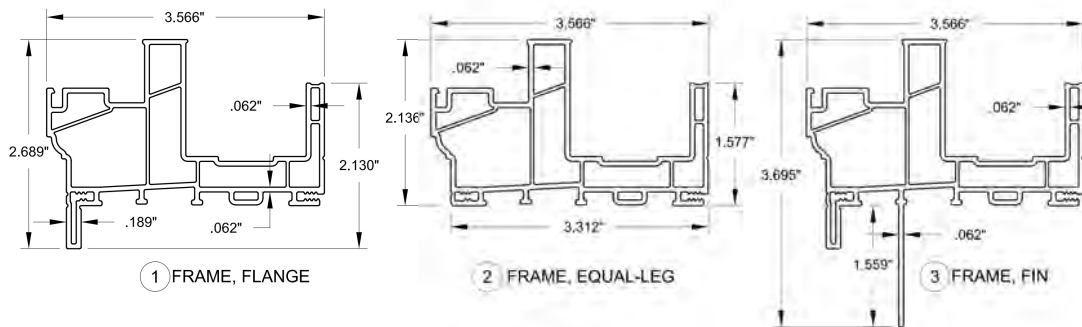


TABLE 6:

BILL OF MATERIALS			
ITEM #	PART #	DESCRIPTION	MATERIAL
1		Frame, Flange	PVC
2	9439	Frame, Equal-Leg	PVC
3		Frame, Fin	PVC
4	9478	Sash Top Rail	PVC
5	9424	Sash Bottom Rail	PVC
6	9475	Sash Handle Stile	PVC
7	9476	Sash Lock Rail	PVC
8	9477	Sash Meeting Rail	PVC
9	9436	Glazing Bead	PVC
10	9425	Glazing Bead	PVC
12	6165	Reinforcement @ Meeting Rail	6063-T6
13	6163	Reinforcement @ Lock Rail	6063-T6
14	6166	Reinforcement @ Handle Stile	6063-T6
15	6162	Anti-Lift Rail	6063-T6
16	6161	Roller Track	6063-T6
17	6158	Sill Riser	6063-T6
20	8097	Lock	
22	8302	Keeper	
24	8153	Roller Assm.	
25	8223	Weep Cover	Composite
26	4007	Weatherstrip, .270" x .250" Polyfin	
30	1003	Screw, #6 x 1/2" PFH	Steel
31	1007	Screw, #6 x 1-1/4" PFH	Steel
32	1012	Screw, #6 x 3/4" PFH	Steel
33	1015	Screw, #8 x 1/2" PTRUSS	Steel
34	1067	Screw, #8 x 3/8" PPH	Steel
35		RGS7700, Sika 552, Dow 791/983 Backbedding	
36		IG Spacer	varies
37		Setting Block	varies
40	6244	Screen	Nylon

THE APPROVED, RIGID PVC EXTERIOR EXTRUSIONS ARE TO BE PRODUCED BY EXTRUDERS' LICENSEES UNDER "AAMA CERTIFICATION PROGRAMS FOR RIGID PVC EXTRUSIONS".



A LYNN MILLER, P.E. P.E.# 58706

REGISTRATION #29296
 COPYRIGHT © 2021
 NEWSOUTH WINDOW SOLUTIONS
 UNLESS OTHERWISE SPECIFIED
 COPIES FOR PERMITTING

PREPARED BY: A. LYNN MILLER, P.E.
 1070 TECHNOLOGY DR
 N. VENICE, FL 34275
 (941)-480-1600

BY: 9000 SERIES HORIZ. ROLLER
 MODELS 9550 & 9550-3, LM
 EXTRUSIONS & BOM

NEWSOUTH WINDOW SOLUTIONS
 10741 CROSSROADS COMMERCE BLVD.
 TAMPA, FL 33610

REVISION:	REVISION:	DATE:	DATE:
MINOR EDITORIAL UPDATES		12/22	12/14/2022
#:	#:	1	
SCALE: NTS		DRAWING #: HR9000-FPA-LM	
BY: LOGAN YODER		SHEET: 6 OF 7	



A. LYNN MILLER, P.E., P.E.# 58705

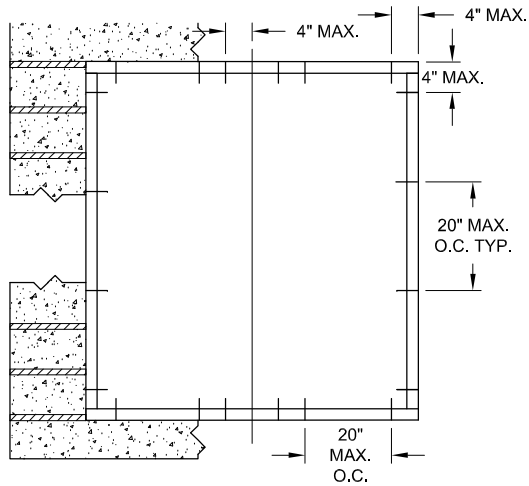
REGISTRATION #29296
 COPYRIGHT © 2021
 NEWSOUTH WINDOW SOLUTIONS
 WOOD BUCK INSTALLATION
 COPIES FOR PERMITTING

PREPARED BY: A. LYNN MILLER, P.E.
 1070 TECHNOLOGY DR
 N. VENICE, FL 34275
 (941)-480-1600

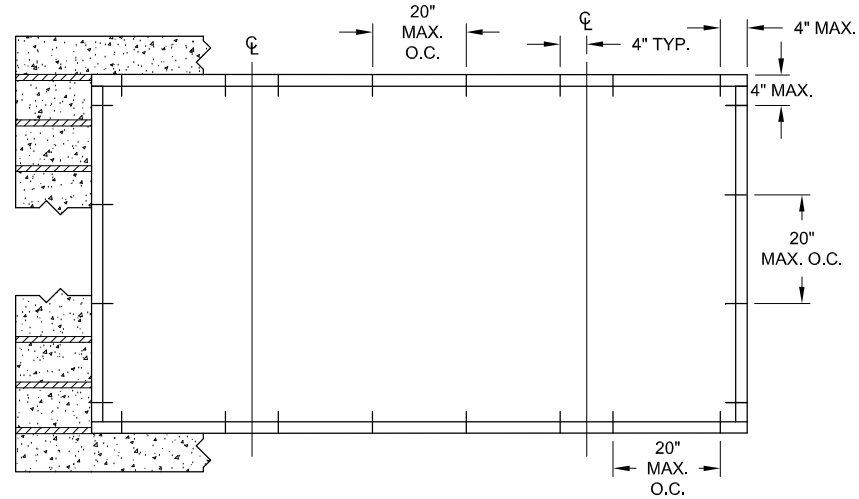
BY: 9000 SERIES HORIZ. ROLLER
 MODELS 9550 & 9550-3, LM
 WOOD BUCK INSTALLATION
 NEWSOUTH WINDOW SOLUTIONS
 10741 CROSSROADS COMMERCE BLVD.
 TAMPA, FL 33610

REVISION:		
DATE:	12/22	
#:	1	

DATE: 12/14/2022
 SCALE: NTS
 BY: LOGAN YODER
 DRAWING #: HR9000-FPA-LM
 SHEET: 7 OF 7



XO/OX BUCK ANCHORAGE DETAIL



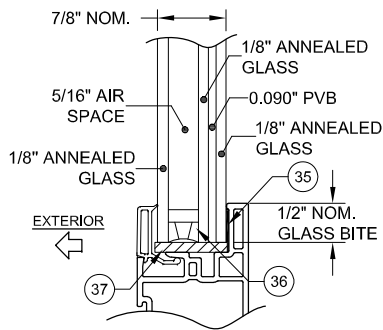
XOX BUCK ANCHORAGE DETAIL

TABLE 7:

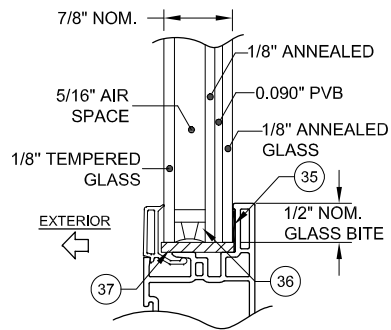
Anchor	Substrate	Minimum Edge Distance	Minimum Embedment
1/4" Steel Ultracon+	Concrete (min. 3,0 ksi)	1"	1-3/8"
	UngROUTED CMU, (ASTM C-90)	1"	1-1/4"

1) "UNGROUTED CMU" VALUES MAY BE USED FOR GROUTED CMU APPLICATIONS.

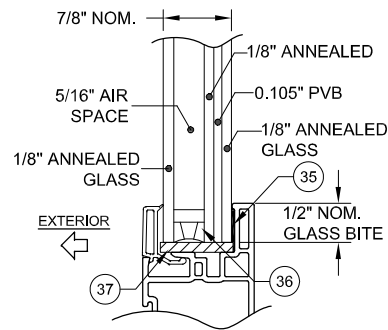
2) ALL ANCHOR HEAD TYPES ARE APPLICABLE.



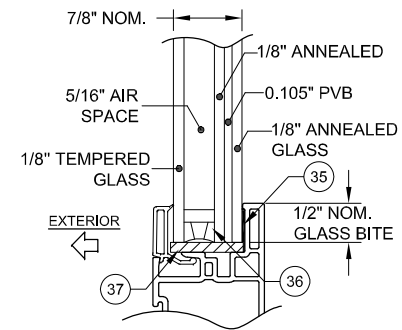
GLASS TYPE 1



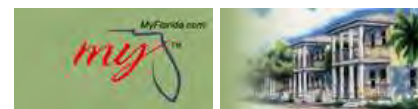
GLASS TYPE 2



GLASS TYPE 3



GLASS TYPE 4



Product Approval
USER: Public User

[Product Approval Menu](#) > [Product or Application Search](#) > [Application List](#) > **Application Detail**

OFFICE OF THE
SECRETARY

FL #	FL40526-R1
Application Type	Revision
Code Version	2020
Application Status	Approved
Comments	
Archived	<input type="checkbox"/>
Product Manufacturer	NewSouth Window Solutions
Address/Phone/Email	10741 Crossroads Commerce Blvd. tampa, FL 33610 (813) 626-6000 jrosowski@pgtindustries.com
Authorized Signature	Jens Rosowski jrosowski@pgtindustries.com
Technical Representative	Lynn Miller, P.E.
Address/Phone/Email	1070 Technology Dr Innovations Lab N Venice, FL 34275 (941) 480-1600 Ext 21142 lmilleri@pgtindustries.com
Quality Assurance Representative	
Address/Phone/Email	
Category	Windows
Subcategory	Single Hung
Compliance Method	Evaluation Report from a Florida Registered Architect or a Licensed Florida Professional Engineer <input type="checkbox"/> Evaluation Report - Hardcopy Received
Florida Engineer or Architect Name who developed the Evaluation Report	A. Lynn Miller, P.E.
Florida License	PE-58705
Quality Assurance Entity	National Accreditation and Management Institute
Quality Assurance Contract Expiration Date	12/31/2023
Validated By	Steven M. Urich, PE <input checked="" type="checkbox"/> Validation Checklist - Hardcopy Received
Certificate of Independence	FL40526_R1_COI_Cert of Independence.pdf

Referenced Standard and Year (of Standard)

OFFICIAL DOCUMENTS
Per Sarasota County Ordinance, approved plans must be on-site at time of inspection.
Sarasota County Planning & Development Services

Standard	Year
AAMA/WDMA/CSA 101/1S2/A440	2008
AAMA/WDMA/CSA 101/1S2/A440	2011
AAMA/WDMA/CSA 101/1S2/A440	2017
ASTM E1886	2005
ASTM E1996	2005
ASTM E1996	2006
ASTM E1996	2009
TAS 201, 202, 203	1994

Equivalence of Product Standards
Certified By

Florida Licensed Professional Engineer or Architect
[FL40526_R1_Equiv_ASTM_E1886-04-05 to E1886-13a and E1996-05-06-09 to E1996-17_Equivalency_Letter_2020-09-09.pdf](#)

Sections from the Code

Product Approval Method

Method 1 Option D

Date Submitted

12/19/2022

Date Validated

12/19/2022

Date Pending FBC Approval

12/22/2022

Date Approved

02/07/2023

Summary of Products

FL #	Model, Number or Name	Description
40526.1	Model 9400	Vinyl, Non-impact Resistant Single Hung Window, All Frame Types
Limits of Use Approved for use in HVHZ: No Approved for use outside HVHZ: Yes Impact Resistant: No Design Pressure: N/A Other: Please see the enclosed documents for product performance information, anchorage details, and anchor type, size, and spacing information.		Installation Instructions FL40526_R1_II_SH9400-FPA-NI a.pdf Verified By: A. Lynn Miller, P.E. PE-58705 Created by Independent Third Party: No Evaluation Reports FL40526_R1_AE_SH9000_NI - ENG EVAL a.pdf Created by Independent Third Party: No
40526.2	Model 9450	Vinyl, Impact Resistant Single Hung Window, All Frame Types
Limits of Use Approved for use in HVHZ: No Approved for use outside HVHZ: Yes Impact Resistant: Yes Design Pressure: N/A Other: Please see the enclosed documents for product performance information, anchorage details, and anchor type, size, and spacing information.		Installation Instructions FL40526_R1_II_SH9450-FPA-LM a.pdf Verified By: A. Lynn Miller, P.E. PE-58705 Created by Independent Third Party: No Evaluation Reports FL40526_R1_AE_SH9400 LM - ENG EVAL a.pdf Created by Independent Third Party: No
40526.3	Model 9450	Vinyl, Impact Resistant Single Hung Window, HVHZ, All Frame Types
Limits of Use Approved for use in HVHZ: Yes Approved for use outside HVHZ: Yes Impact Resistant: Yes Design Pressure: N/A Other: Please see the enclosed documents for product performance information, anchorage details, and anchor type, size, and spacing information.		Installation Instructions FL40526_R1_II_SH9450-FPA-LM HVHZ a.pdf Verified By: A. Lynn Miller, P.E. PE-58705 Created by Independent Third Party: No Evaluation Reports FL40526_R1_AE_SH9400 LM-HVHZ - ENG EVAL a.pdf Created by Independent Third Party: No

[Back](#)

[Next](#)

Contact Us :: 2601 Blair Stone Road, Tallahassee FL 32399 Phone: 850-487-1824

The State of Florida is an AA/EEO employer. [Copyright 2007-2013 State of Florida](#), :: [Privacy Statement](#) :: [Accessibility Statement](#) :: [Refund Statement](#)

Under Florida law, email addresses are public records. If you do not want your e-mail address released in response to a public-records request, do not send electronic mail to this entity. Instead, contact the office by phone or by traditional mail. If you have any questions, please contact 850.487.1395. *Pursuant to Section 455.275(1), Florida Statutes, effective October 1, 2012, licensees licensed under Chapter 455, F.S. must provide the Department with an email address if they have one. The emails provided may be used for official communication with the licensee. However email addresses are public record. If you do not wish to supply a personal address, please provide the Department with an email address which can be made available to the public. To determine if you are a licensee under Chapter 455, F.S., please click [here](#).

OFFICIAL DOCUMENTS

Per Sarasota County Ordinance, approved plans must be on-site at time of inspection.

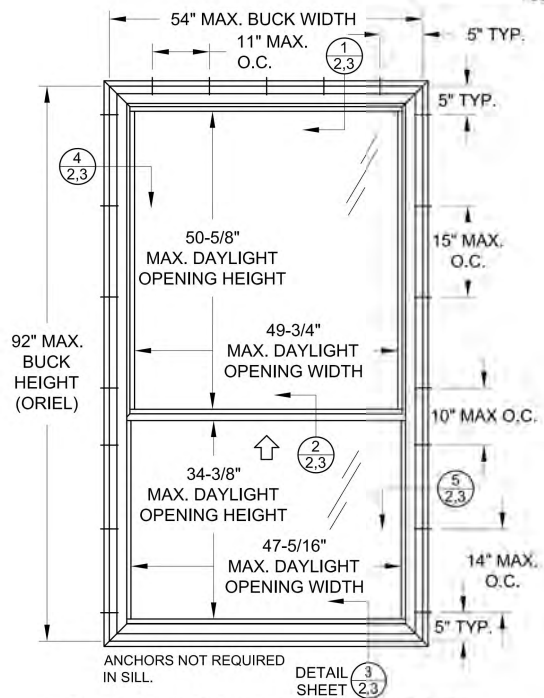
Sarasota County Planning & Development Services

Product Approval Accepts:

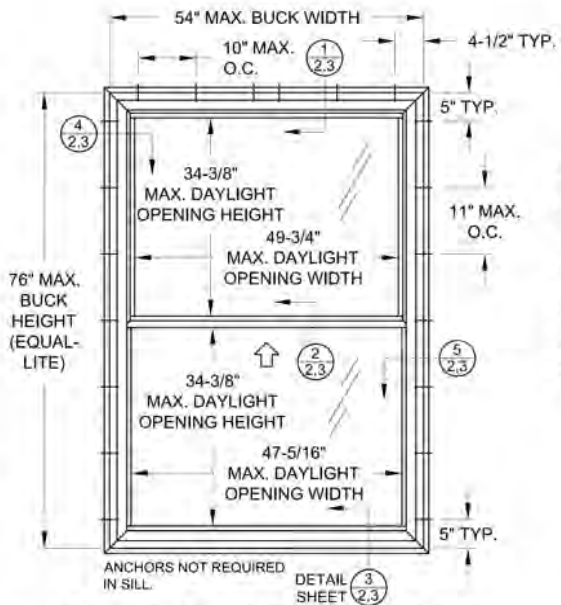


FLORIDA PRODUCT APPROVAL #40526

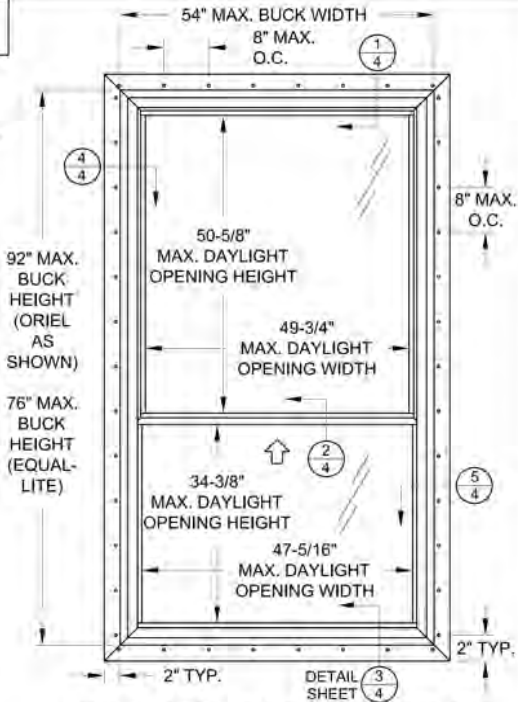
DP RATING	LARGE & SMALL MISSILE IMPACT RESISTANT
SEE TABLE 1	



TYP. ANCHOR LOCATIONS, TESTED SIZE (FLANGED FRAME, EQUAL-LEG SIM.)



TYP. ANCHOR LOCATIONS, TESTED SIZE (FLANGED FRAME, EQUAL-LEG SIM.)



TYP. ANCHOR LOCATIONS, TESTED SIZE (INTEGRAL FIN FRAME)



A. LYNN MILLER, P.E. P.E.# 58705

REGISTRATION #29296
 COPYRIGHT © 2021
 NEWSOUTH WINDOW SOLUTIONS
 ALL RIGHTS RESERVED
 COPIES FOR PERMITTING

9450 SERIES SINGLE HUNG
 GEN. NOTES, DESIGN PRESSURES AND ANCHOR ELEVATIONS
 NEWSOUTH WINDOW SOLUTIONS
 10741 CROSSROADS COMMERCE BLVD.
 TAMPA, FL 33610

PREPARED BY: A. LYNN MILLER, P.E.
 1070 TECHNOLOGY DR
 N. VENICE, FL 34275
 (941)-480-1600



SERIES 9450 SINGLE HUNG, TILT WINDOW, IMPACT RESISTANT, NON-HVHZ, FLANGE, EQUAL-LEG & FIN FRAMES

- 1) THIS PRODUCT HAS BEEN DESIGNED & TESTED TO COMPLY WITH THE REQUIREMENTS OF THE FLORIDA BUILDING CODE, EXCLUDING THE HIGH VELOCITY HURRICANE ZONE (HVHZ).
- 2) SHUTTERS ARE NOT REQUIRED WHEN USED IN WIND-BORNE DEBRIS REGIONS.
- 3) MASONRY ANCHORS MAY BE USED INTO WOOD. ALL WOOD BUCKS LESS THAN 1-1/2" THICK ARE TO BE CONSIDERED 1X INSTALLATIONS. 1X WOOD BUCKS ARE OPTIONAL IF UNIT IS INSTALLED DIRECTLY TO SUBSTRATE. WOOD BUCKS DEPICTED AS 2X ARE 1-1/2" THICK OR GREATER.
- 4) ANCHOR EMBEDMENT TO BASE MATERIAL SHALL BE BEYOND WALL DRESSING OR STUCCO. USE ANCHORS OF SUFFICIENT LENGTH.

5) MAX. 1/4" SHIMS ARE REQUIRED AT EACH ANCHOR LOCATION WHERE THE PRODUCT IS NOT FLUSH TO THE SUBSTRATE. USE SHIMS CAPABLE OF TRANSFERRING APPLIED LOADS.

6) THE ANCHORAGE METHODS SHOWN HAVE BEEN DESIGNED TO RESIST THE WIND LOADS CORRESPONDING TO THE REQUIRED DESIGN PRESSURE. THE 33-1/3% STRESS INCREASE HAS NOT BEEN USED IN THE DESIGN OF THIS PRODUCT. THE 1.6 LOAD DURATION FACTOR WAS USED FOR THE EVALUATION OF ANCHORS INTO WOOD. ANCHORS THAT COME INTO CONTACT WITH OTHER DISSIMILAR MATERIALS SHALL MEET THE REQUIREMENTS OF THE FLORIDA BUILDING CODE FOR CORROSION RESISTANCE.

TABLE 1: DESIGN PRESSURES

Buck Width	Buck Height	Configuration	Frame Type	Glass Type	Design Pressure	
					(+) psf	(-) psf
54"	76"	Equal-lite	All	1	55.0	65.0
40"	48"	Equal-lite	Flange, Equal-Leg	2	65.0	85.0
54"	92"	Oriel	All	1 & 3	55.0	55.0

FOR SIZES NOT SHOWN, ROUND UP TO THE NEXT AVAILABLE WIDTH OR HEIGHT DIMENSION.
 FOR GLASS TYPES, SEE SHEET 6.

OFFICIAL DOCUMENTS
 Per Sarasota County Ordinance, approved plans must be on-site at time of inspection.
Sarasota County Planning & Development Services

BY:	
REVISION:	
DATE:	
#:	
DATE:	12/13/22
SCALE:	NTS
BY:	LOGAN YODER
DRAWING #:	SH9450-FPA-LM
SHEET:	1 OF 6



A. LYNN MILLER, P.E., P.E.# 58705

REGISTRATION #29296
 COPYRIGHT © 2021
 NEWSOUTH WINDOW SOLUTIONS
 WANTED FOR PERMITTING
 COPIES FOR PERMITTING

PREPARED BY: A. LYNN MILLER, P.E.
 1070 TECHNOLOGY DR
 N. VENICE, FL 34275
 (941)-480-1600

BY: 9450 SERIES SINGLE HUNG
 FLANGE INSTALLATION SECTION VIEWS
 NEWSOUTH WINDOW SOLUTIONS
 10741 CROSSROADS COMMERCE BLVD.
 TAMPA, FL 33610

DATE:	REVISION:
#:	

DATE: 12/13/22
 SCALE: NTS
 BY: LOGAN YODER
 DRAWING #: SH9450-FPA-LM
 SHEET: 2 OF 6

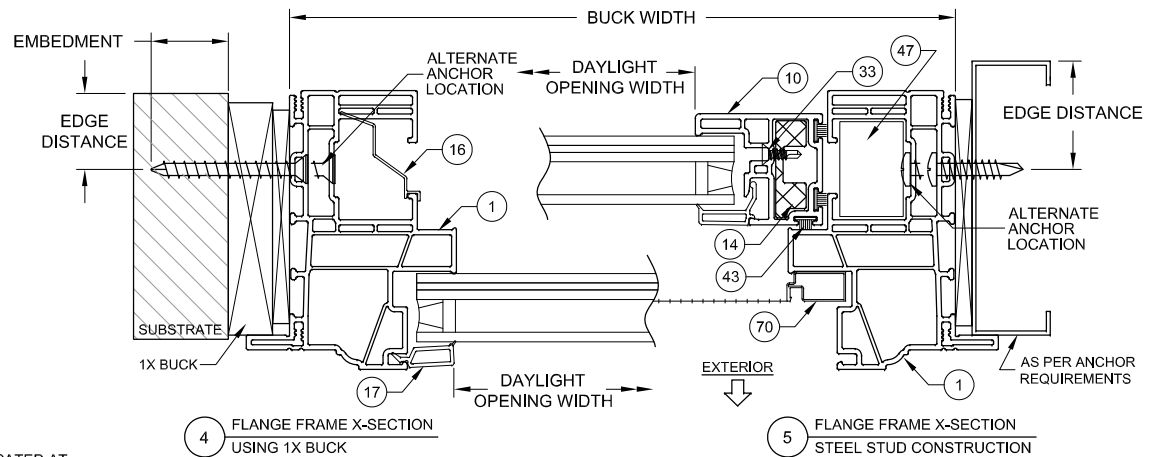
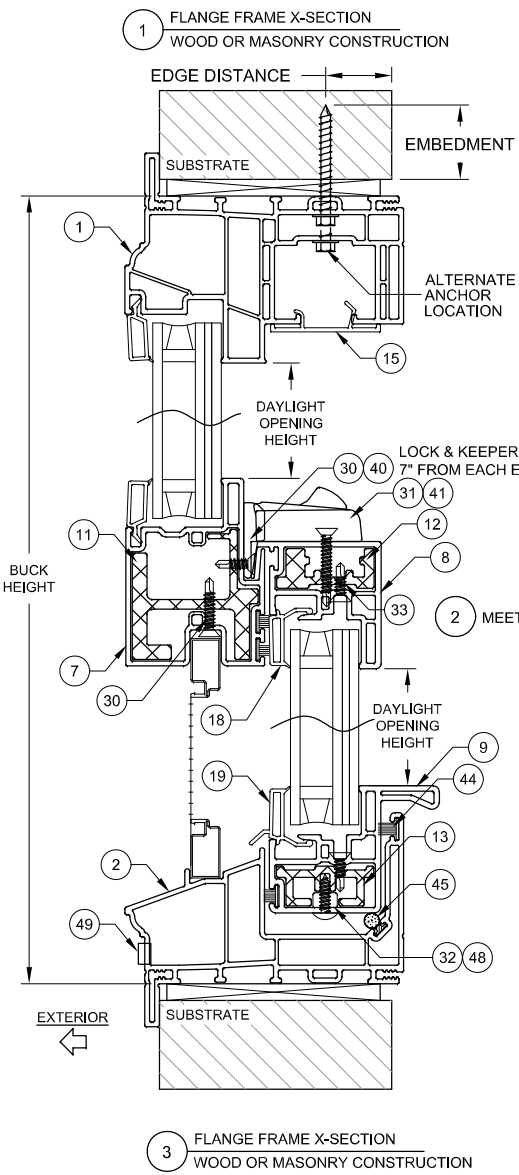


TABLE 2: INSTALLATION ANCHORS

Anchor	Substrate	Minimum Edge Distance	Minimum Embedment
#10 or #12 Steel or 410 SS Screw	Southern Pine (SG = .55)	1/2"	1-3/8"
	Aluminum, 6063-T5 min.	5/16"	0.050"
	Steel Stud, Gr. 33 min.	5/16"	0.045" (20 Ga)
	A36 Steel	5/16"	0.050"
3/16" Steel Ultracon+	Concrete (min. 2.9 ksi)	1"	1-3/4"
	UngROUTED CMU, (ASTM C-90)	1-1/16"	1-1/4"
1/4" Steel Ultracon+	Southern Pine (SG = .55)	1"	1-3/8"
	Concrete (min. 3.0 ksi)	1"	1-3/8"
	UngROUTED CMU, (ASTM C-90)	1"	1-1/4"
	Southern Pine (SG = .55)	1"	1-3/8"

- 1) ANCHOR MUST EXTEND A MINIMUM OF 3 THREADS BEYOND ANY METAL SUBSTRATE.
- 2) "UNGROUTED CMU" VALUES MAY BE USED FOR GROUDED CMU APPLICATIONS.
- 3) ALL ANCHOR HEAD TYPES ARE APPLICABLE.

- INSTALLATION NOTES:
- 1) SEE SHEET 1 FOR ANCHOR SPACING REQUIREMENTS.
 - 2) ANY INSTALLATION OPTION SHOWN (2X BUCK OR WOOD FRAMING, 1X BUCK, DIRECT TO MASONRY, STEEL STUD) MAY BE USED ON ANY SIDE OF THE WINDOW.
 - 3) USE ONLY SUBSTRATE APPROPRIATE ANCHORS LISTED IN ANCHOR TABLE 2. FOLLOW EMBEDMENT AND EDGE DISTANCE LIMITS. MAX. SHIM THICKNESS TO BE 1/4".

3 FLANGE FRAME X-SECTION WOOD OR MASONRY CONSTRUCTION



A. LYNN MILLER, P.E., P.E.# 58705

REGISTRATION #29296
 COPYRIGHT © 2021
 NEWSOUTH WINDOW SOLUTIONS
 ALL RIGHTS RESERVED. NO
 COPIES FOR PERMITTING

PREPARED BY: A. LYNN MILLER, P.E.
 1070 TECHNOLOGY DR
 N. VENICE, FL 34275
 (941)-480-1600

BY: 9450 SERIES SINGLE HUNG
 EQUAL-LEG INSTALLATION
 SECTION VIEWS
 NEWSOUTH WINDOW SOLUTIONS
 10741 CROSSROADS COMMERCE BLVD.
 TAMPA, FL 33610

DATE:	REVISION:	#:

DATE: 12/13/22
 SCALE: NTS
 BY: LOGAN YODER
 DRAWING #: SH9450-FPA-LM
 SHEET: 3 OF 6

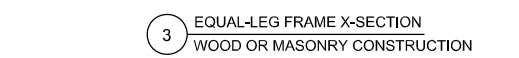
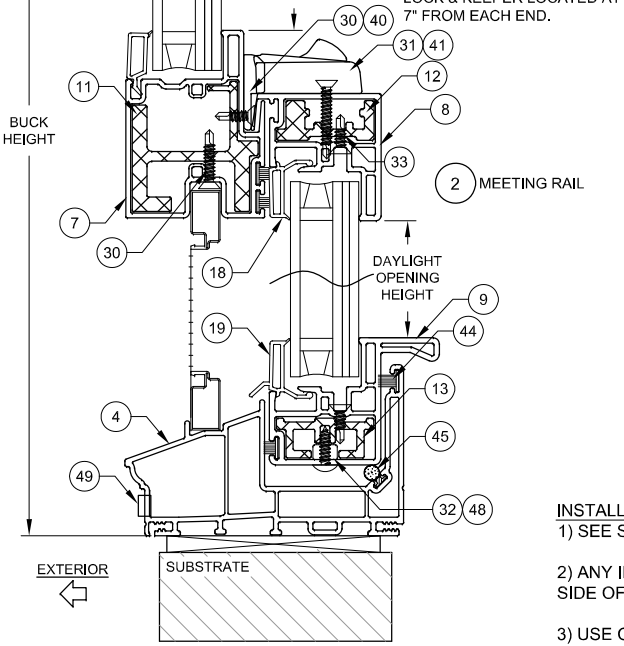
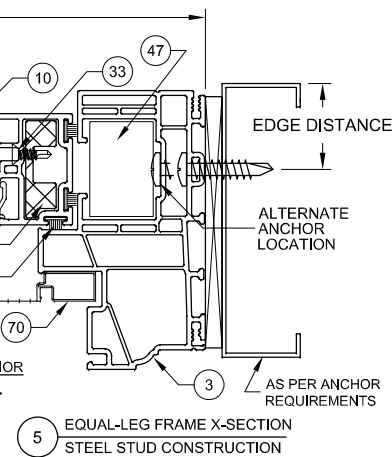
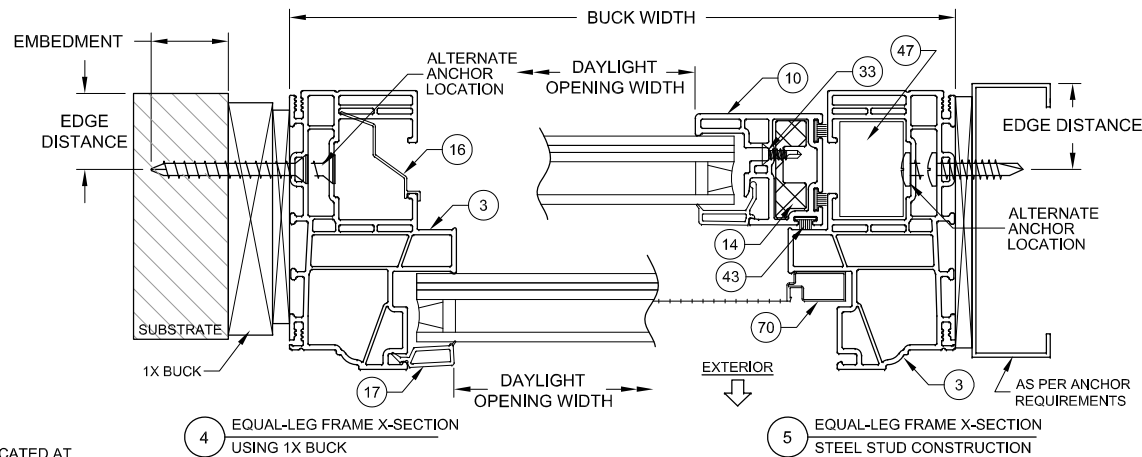
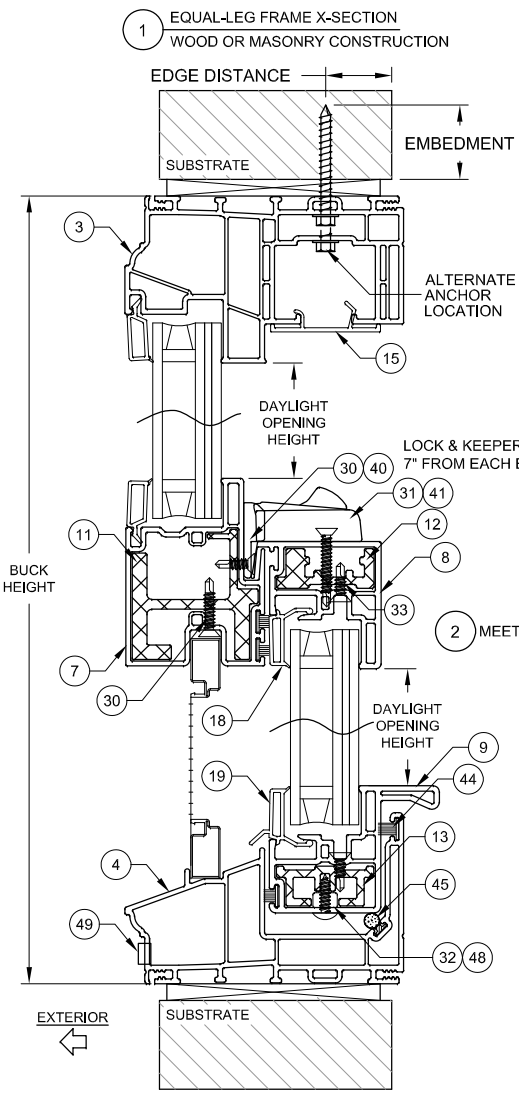


TABLE 3: INSTALLATION ANCHORS

Anchor	Substrate	Minimum Edge Distance	Minimum Embedment
#10 or #12 Steel or 410 SS Screw	Southern Pine (SG = .55)	1/2"	1-3/8"
	Aluminum, 6063-T5 min.	5/16"	0.050"
	Steel Stud, Gr. 33 min.	5/16"	0.045" (20 Ga)
	A36 Steel	5/16"	0.050"
3/16" Steel Ultracon+	Concrete (min. 2.9 ksi)	1"	1-3/4"
	UngROUTED CMU, (ASTM C-90)	1-1/16"	1-1/4"
1/4" Steel Ultracon+	Southern Pine (SG = .55)	1"	1-3/8"
	Concrete (min. 3.0 ksi)	1"	1-3/8"
	UngROUTED CMU, (ASTM C-90)	1"	1-1/4"
	Southern Pine (SG = .55)	1"	1-3/8"

- 1) ANCHOR MUST EXTEND A MINIMUM OF 3 THREADS BEYOND ANY METAL SUBSTRATE.
- 2) "UNGROUTED CMU" VALUES MAY BE USED FOR GROUTED CMU APPLICATIONS.
- 3) ALL ANCHOR HEAD TYPES ARE APPLICABLE.

- INSTALLATION NOTES:
- 1) SEE SHEET 1 FOR ANCHOR SPACING REQUIREMENTS.
 - 2) ANY INSTALLATION OPTION SHOWN (2X BUCK OR WOOD FRAMING, 1X BUCK, DIRECT TO MASONRY, STEEL STUD) MAY BE USED ON ANY SIDE OF THE WINDOW.
 - 3) USE ONLY SUBSTRATE APPROPRIATE ANCHORS LISTED IN ANCHOR TABLE 3. FOLLOW EMBEDMENT AND EDGE DISTANCE LIMITS. MAX. SHIM THICKNESS TO BE 1/4".



A. LYNN MILLER, P.E., P.E.# 58705

REGISTRATION #29296
 COPYRIGHT © 2021
 NEWSOUTH WINDOW SOLUTIONS
 ALL RIGHTS RESERVED
 COPIES FOR PERMITTING

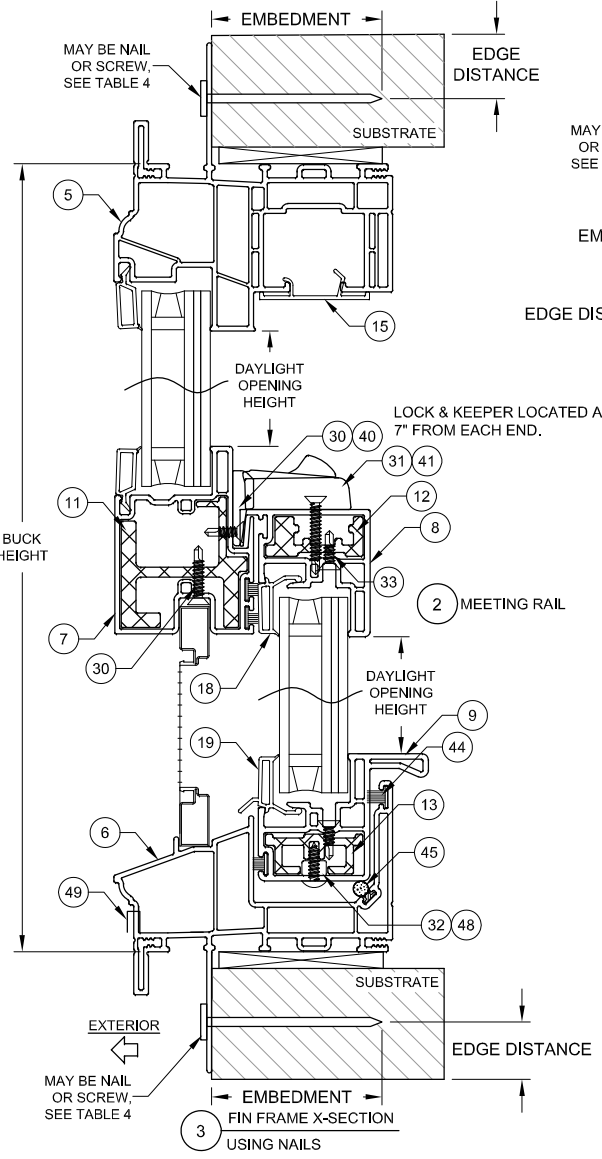
PREPARED BY: A. LYNN MILLER, P.E.
 1070 TECHNOLOGY DR
 N. VENICE, FL 34275
 (941)-480-1600

BY: 9450 SERIES SINGLE HUNG
 FIN INSTALLATION SECTION VIEWS
 NEWSOUTH WINDOW SOLUTIONS
 10741 CROSSROADS COMMERCE BLVD.
 TAMPA, FL 33610

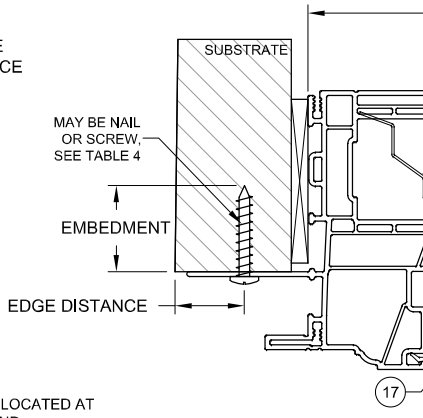
DATE:	REVISION:	#:

DATE: 12/13/22
 SCALE: NTS
 BY: LOGAN YODER
 DRAWING #: SH9450-FPA-LM
 SHEET: 4 OF 6

1 FIN FRAME X-SECTION USING NAILS



4 FIN FRAME X-SECTION USING SCREWS



5 FIN FRAME X-SECTION STEEL STUD CONSTRUCTION

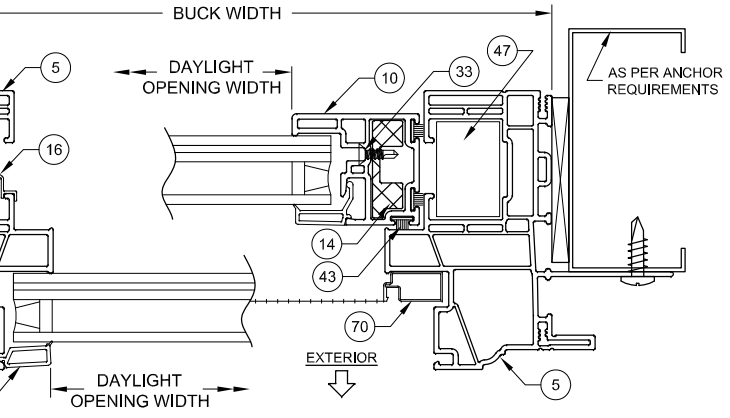


TABLE 4: INSTALLATION ANCHORS

Anchor	Substrate	Min. Edge Distance	Min. Embedment
2-1/2" x .113" Box Nail	P.T. Southern Pine (SG = .55)	5/16"	2-7/16"
2-1/2" x .131" Common Nail	P.T. Southern Pine (SG = .55)	3/8"	2-7/16"
2-1/2" x .145" Roofing Nail	P.T. Southern Pine (SG = .55)	3/8"	2-7/16"
#10 Steel SMS	P.T. Southern Pine (SG = .55)	1/2"	1-3/8"
	Aluminum, 6063-T5 min.	3/8"	1/8"
	Steel Stud, Gr. 33 min.	3/8"	0.036
	A36 Steel	3/8"	1/8"

1) ANCHOR MUST EXTEND A MINIMUM OF 3 THREADS BEYOND ANY METAL SUBSTRATE.
 2) ALL ANCHOR HEAD TYPES ARE APPLICABLE.

INSTALLATION NOTES:

- 1) SEE SHEET 1 FOR ANCHOR SPACING REQUIREMENTS.
- 2) FLANGE AND/OR FIN MAY BE REMOVED TO CREATE OTHER FRAME TYPES.
- 3) USE ONLY SUBSTRATE APPROPRIATE ANCHORS LISTED IN ANCHOR TABLE 4. FOLLOW EMBEDMENT AND EDGE DISTANCE LIMITS.
- 4) MAX SHIM THICKNESS TO BE 1/4". MAX SHIM SPACING TO BE 18".

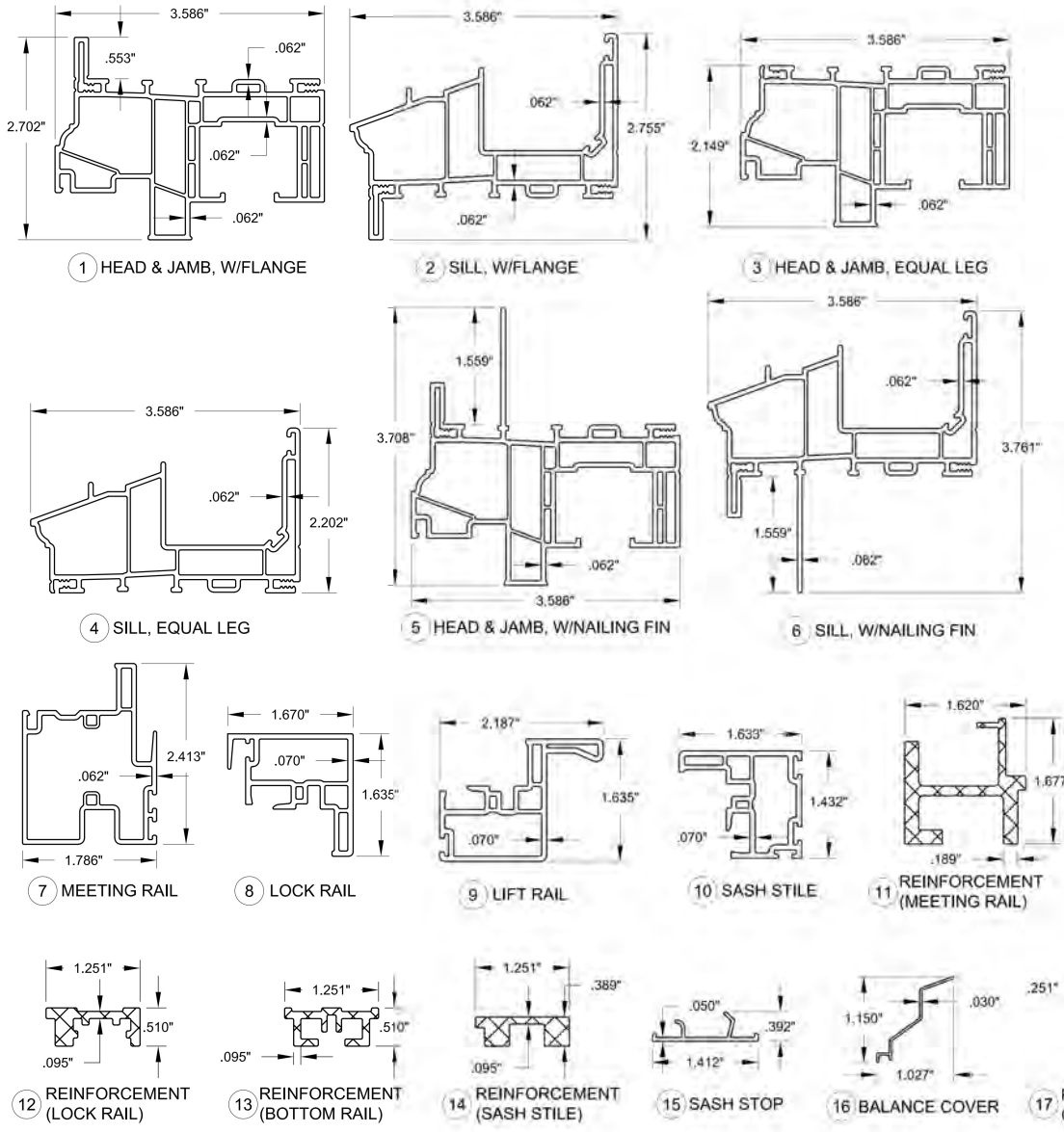


TABLE 5:

#	Part #	Description	Material
1	9465	Head & Jamb, w/Flange	PVC
2	9469	Sill, w/Flange	PVC
3	9465	Head & Jamb, Equal Leg	PVC
4	9469	Sill, Equal Leg	PVC
5	9455	Head & Jamb, w/NAILING FIN	PVC
6	9459	Sill, w/NAILING FIN	PVC
7	9477	Meeting Rail	PVC
8	9485	Lock Rail	PVC
9	9476	Sash Lift Rail	PVC
10	9438	Sash Stiles	PVC
11	6166	Reinf. - Meeting Rail	6063-T5
12	6165	Reinf. - Lock Rail	6063-T5
13	6183	Reinf. - Lift Rail	6063-T5
14	6184	Reinf. - Stiles	6063-T5
15	9473	Sash Stop	PVC
16	9468	Balancer Cover	PVC
17	9736	Fixed Lite Glazing Bead	PVC
18	9425	Sash Glazing Bead	PVC
19	9467	Sash Glazing Bead w/Drip Edge	PVC
30	1012	Screw, #6 x 3/4" PFH	Steel
31	1007	Screw, #6 x 1-1/8" PFH	Steel
32	1015	Screw, #8 x 1/2" PTRUSS	Steel
33	1003	Screw, #6 x 1/2" PFH	Steel
40	8096	Keeper	Zinc
41		Lock	
42	8121	MR Backing Plate	SS
43	4006	WSTP, .270" x .220" Polyfin	
44	4008	WSTP, .270" x .320" Polyfin	
45	4012	WSTP, Bulb Vinyl, .187" x .300"	Steel
46	8205/8206	Tilt Latch, L&R	Zinc
47		Balance	
48	8148	Pivot Bar	SS
49	8223	Weep Cover	Nylon
60		RGS 7700, Pecora 895, SikaFlex 552, Dow 791, 983 or 995	
61		Insulated Glass Spacer	
62	7061	Setting Block, 1/8" x 7/8" x 2"	EPDM
70	6244	Screen Frame	Aluminum

THE APPROVED, RIGID PVC EXTERIOR EXTRUSIONS ARE TO BE PRODUCED BY EXTRUDERS' LICENSEES UNDER "AAMA CERTIFICATION PROGRAMS FOR RIGID PVC EXTRUSIONS".



A. LYNN MILLER, P.E. P.E # 58705

REGISTRATION #29296
 COPYRIGHT © 2021
 NEWSOUTH WINDOW SOLUTIONS
 10741 CROSSROADS COMMERCE BLVD.
 TAMPA, FL 33610
 BY: 9450 SERIES SINGLE HUNG
 EXTRUSIONS & BOW
 NEWSOUTH WINDOW SOLUTIONS
 10741 CROSSROADS COMMERCE BLVD.
 TAMPA, FL 33610

PREPARED BY: A. LYNN MILLER, P.E.
 1070 TECHNOLOGY DR
 N. VENICE, FL 34275
 (941)-480-1600

DATE: 12/13/22
 SCALE: NTS
 BY: LOGAN YODER
 DRAWING #: SH9450-FPA-LM
 SHEET: 5 OF 6

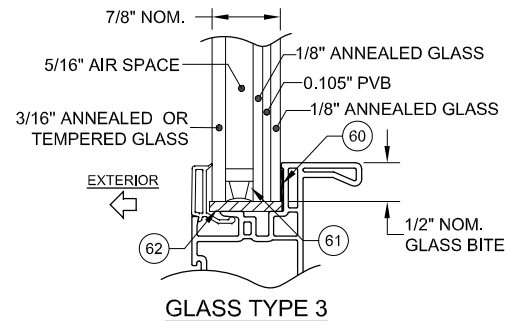
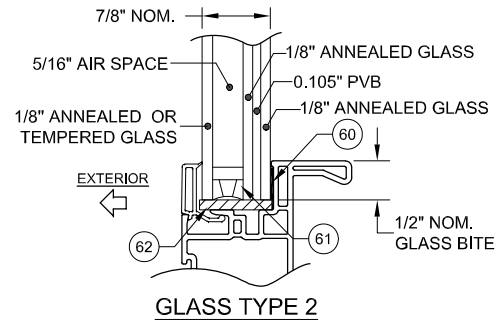
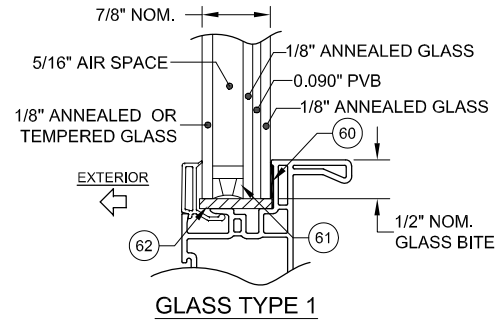
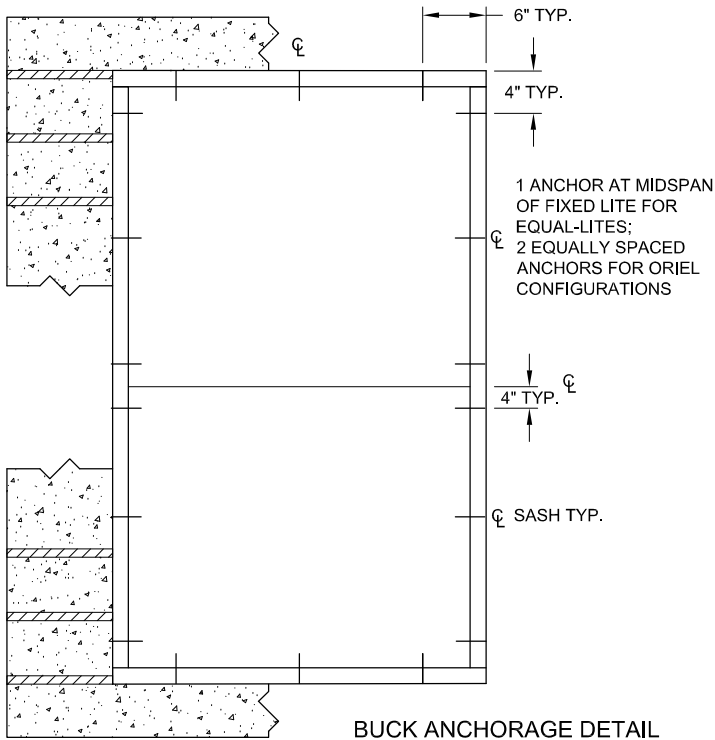


TABLE 6:

Anchor	Substrate	Minimum Edge Distance	Minimum Embedment
1/4" Steel Ultracon+	Concrete (min. 3.0 ksi)	1"	1-3/8"
	UngROUTed CMU, (ASTM C-90)	1"	1-1/4"

1) "UNGROUTED CMU" VALUES MAY BE USED FOR GROUDED CMU APPLICATIONS.

2) ALL ANCHOR HEAD TYPES ARE APPLICABLE.



A. LYNN MILLER, P.E., P.E.# 58705

REGISTRATION #29296
COPYRIGHT © 2021
NEWSOUTH WINDOW SOLUTIONS
UNLIMITED WINDOW SOLUTIONS
CORPES FOR PERMITTING

PREPARED BY: A. LYNN MILLER, P.E.
1070 TECHNOLOGY DR
N. VENICE, FL 34275
(941)-480-1600

BY:	9450 SERIES SINGLE HUNG
REVISION:	GLAZING DETAILS AND BUCK INSTALLATION DETAILS
DATE:	NEWSOUTH WINDOW SOLUTIONS 10741 CROSSROADS COMMERCE BLVD. TAMPA, FL 33610
#:	
DATE:	12/13/22
SCALE:	NTS
BY:	LOGAN YODER
DRAWING #:	SH9450-FPA-LM
SHEET:	6 OF 6