

# ELEVATION CERTIFICATE

**Important:** Follow the instructions on pages 1-9.

Copy all pages of this Elevation Certificate and all attachments for (1) community official, (2) insurance agent/company, and (3) building owner.

SECTION A – PROPERTY INFORMATION				FOR INSURANCE COMPANY USE	
A1. Building Owner's Name Paul Schaefer Sr.				Policy Number:	
A2. Building Street Address (including Apt., Unit, Suite, and/or Bldg. No.) or P.O. Route and Box No. 345 Dolphin Shores Circle				Company NAIC Number:	
City Nokomis		State Florida		ZIP Code 34275	
A3. Property Description (Lot and Block Numbers, Tax Parcel Number, Legal Description, etc.) Sarasota County Property Appraiser Tax ID # 0171040013					
A4. Building Use (e.g., Residential, Non-Residential, Addition, Accessory, etc.) <u>Residential</u>					
A5. Latitude/Longitude: Lat. <u>27°07'46"</u> Long. <u>82°27'44"</u> Horizontal Datum: <input type="checkbox"/> NAD 1927 <input checked="" type="checkbox"/> NAD 1983					
A6. Attach at least 2 photographs of the building if the Certificate is being used to obtain flood insurance.					
A7. Building Diagram Number <u>7</u>					
A8. For a building with a crawlspace or enclosure(s):					
a) Square footage of crawlspace or enclosure(s) <u>3140 sq ft</u>					
b) Number of permanent flood openings in the crawlspace or enclosure(s) within 1.0 foot above adjacent grade <u>8</u>					
c) Total net area of flood openings in A8.b <u>1,440 sq in</u>					
d) Engineered flood openings? <input checked="" type="checkbox"/> Yes <input type="checkbox"/> No					
A9. For a building with an attached garage:					
a) Square footage of attached garage <u>n/a</u> sq ft					
b) Number of permanent flood openings in the attached garage within 1.0 foot above adjacent grade <u>n/a</u>					
c) Total net area of flood openings in A9.b <u>n/a</u> sq in					
d) Engineered flood openings? <input type="checkbox"/> Yes <input checked="" type="checkbox"/> No					
SECTION B – FLOOD INSURANCE RATE MAP (FIRM) INFORMATION					
B1. NFIP Community Name & Community Number Sarasota County 125144			B2. County Name Sarasota		B3. State Florida
B4. Map/Panel Number 12115C0239	B5. Suffix F	B6. FIRM Index Date 11/04/2016	B7. FIRM Panel Effective/ Revised Date 11/04/2016	B8. Flood Zone(s) AE	B9. Base Flood Elevation(s) (Zone AO, use Base Flood Depth) 10.0'
B10. Indicate the source of the Base Flood Elevation (BFE) data or base flood depth entered in Item B9: <input type="checkbox"/> FIS Profile <input checked="" type="checkbox"/> FIRM <input type="checkbox"/> Community Determined <input type="checkbox"/> Other/Source: _____					
B11. Indicate elevation datum used for BFE in Item B9: <input type="checkbox"/> NGVD 1929 <input checked="" type="checkbox"/> NAVD 1988 <input type="checkbox"/> Other/Source: _____					
B12. Is the building located in a Coastal Barrier Resources System (CBRS) area or Otherwise Protected Area (OPA)? <input type="checkbox"/> Yes <input checked="" type="checkbox"/> No Designation Date: _____ <input type="checkbox"/> CBRS <input type="checkbox"/> OPA					

# ELEVATION CERTIFICATE

OMB No. 1660-0008  
Expiration Date: November 30, 2018

<b>IMPORTANT: In these spaces, copy the corresponding information from Section A.</b>			<b>FOR INSURANCE COMPANY USE</b>
Building Street Address (including Apt., Unit, Suite, and/or Bldg. No.) or P.O. Route and Box No. 345 Dolphin Shores Circle			Policy Number:
City Nokomis	State Florida	ZIP Code 34275	Company NAIC Number

## SECTION C – BUILDING ELEVATION INFORMATION (SURVEY REQUIRED)

C1. Building elevations are based on:  Construction Drawings\*  Building Under Construction\*  Finished Construction

\*A new Elevation Certificate will be required when construction of the building is complete.

C2. Elevations – Zones A1–A30, AE, AH, A (with BFE), VE, V1–V30, V (with BFE), AR, AR/A, AR/AE, AR/A1–A30, AR/AH, AR/AO. Complete Items C2.a–h below according to the building diagram specified in Item A7. In Puerto Rico only, enter meters.

Benchmark Utilized: NGS BM PID # DL9720 Vertical Datum: NAVD 1988

Indicate elevation datum used for the elevations in items a) through h) below.

NGVD 1929  NAVD 1988  Other/Source: \_\_\_\_\_

Datum used for building elevations must be the same as that used for the BFE.

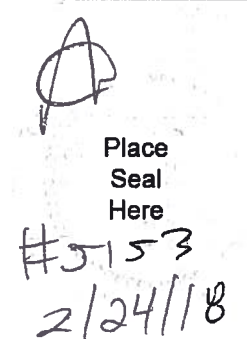
Check the measurement used.

- |   |                    |  |                                 |
|---|--------------------|--|---------------------------------|
| a) Top of bottom floor (including basement, crawlspace, or enclosure floor)   | <u>6</u> <u>1</u>  | <input checked="" type="checkbox"/> feet | <input type="checkbox"/> meters |
| b) Top of the next higher floor   | <u>16</u> <u>3</u> | <input type="checkbox"/> feet            | <input type="checkbox"/> meters |
| c) Bottom of the lowest horizontal structural member (V Zones only)   | <u>n/a</u>         | <input type="checkbox"/> feet            | <input type="checkbox"/> meters |
| d) Attached garage (top of slab)  | <u>6</u> <u>1</u>  | <input checked="" type="checkbox"/> feet | <input type="checkbox"/> meters |
| e) Lowest elevation of machinery or equipment servicing the building<br>(Describe type of equipment and location in Comments) | <u>11</u> <u>4</u> | <input checked="" type="checkbox"/> feet | <input type="checkbox"/> meters |
| f) Lowest adjacent (finished) grade next to building (LAG)  | <u>5</u> <u>0</u>  | <input checked="" type="checkbox"/> feet | <input type="checkbox"/> meters |
| g) Highest adjacent (finished) grade next to building (HAG)   | <u>5</u> <u>3</u>  | <input checked="" type="checkbox"/> feet | <input type="checkbox"/> meters |
| h) Lowest adjacent grade at lowest elevation of deck or stairs, including structural support                                  | <u>n/a</u>         | <input type="checkbox"/> feet            | <input type="checkbox"/> meters |

## SECTION D – SURVEYOR, ENGINEER, OR ARCHITECT CERTIFICATION

This certification is to be signed and sealed by a land surveyor, engineer, or architect authorized by law to certify elevation information. I certify that the information on this Certificate represents my best efforts to interpret the data available. I understand that any false statement may be punishable by fine or imprisonment under 18 U.S. Code, Section 1001.

Were latitude and longitude in Section A provided by a licensed land surveyor?  Yes  No  Check here if attachments.

Certifier's Name Joseph E. Trott	License Number #5153	 <p style="text-align: center;">Place Seal Here #5153 2/24/18</p>
Title President		
Company Name Meridian Group of South Florida, Inc.		
Address 493 Barger Drive, Unit A		
City Port Charlotte	State Florida	

Signature 	Date 2/24/2018	Telephone (941) 766-0011
---	-------------------	-----------------------------

Copy all pages of this Elevation Certificate and all attachments for (1) community official, (2) insurance agent/company, and (3) building owner.

Comments (including type of equipment and location, per C2(e), if applicable)  
Elevation in item C2e refers to an exterior concrete A/C pad.  
Engineered Flood Openings in item A8b & A9b have a rated total net area of 3,160 sq. ft.

# ELEVATION CERTIFICATE

OMB No. 1660-0008  
Expiration Date: November 30, 2018

<b>IMPORTANT: In these spaces, copy the corresponding information from Section A.</b>			<b>FOR INSURANCE COMPANY USE</b>
Building Street Address (including Apt., Unit, Suite, and/or Bldg. No.) or P.O. Route and Box No. 345 Dolphin Shores Circle			Policy Number:
City Nokomis	State Florida	ZIP Code 34275	Company NAIC Number

## SECTION E – BUILDING ELEVATION INFORMATION (SURVEY NOT REQUIRED) FOR ZONE AO AND ZONE A (WITHOUT BFE)

For Zones AO and A (without BFE), complete Items E1–E5. If the Certificate is intended to support a LOMA or LOMR-F request, complete Sections A, B, and C. For Items E1–E4, use natural grade, if available. Check the measurement used. In Puerto Rico only, enter meters.

- E1. Provide elevation information for the following and check the appropriate boxes to show whether the elevation is above or below the highest adjacent grade (HAG) and the lowest adjacent grade (LAG).
- a) Top of bottom floor (including basement, crawlspace, or enclosure) is \_\_\_\_\_  feet  meters  above or  below the HAG.
  - b) Top of bottom floor (including basement, crawlspace, or enclosure) is \_\_\_\_\_  feet  meters  above or  below the LAG.
- E2. For Building Diagrams 6–9 with permanent flood openings provided in Section A Items 8 and/or 9 (see pages 1–2 of Instructions), the next higher floor (elevation C2.b in the diagrams) of the building is \_\_\_\_\_  feet  meters  above or  below the HAG.
- E3. Attached garage (top of slab) is \_\_\_\_\_  feet  meters  above or  below the HAG.
- E4. Top of platform of machinery and/or equipment servicing the building is \_\_\_\_\_  feet  meters  above or  below the HAG.
- E5. Zone AO only: If no flood depth number is available, is the top of the bottom floor elevated in accordance with the community's floodplain management ordinance?  Yes  No  Unknown. The local official must certify this information in Section G.

## SECTION F – PROPERTY OWNER (OR OWNER'S REPRESENTATIVE) CERTIFICATION

The property owner or owner's authorized representative who completes Sections A, B, and E for Zone A (without a FEMA-issued or community-issued BFE) or Zone AO must sign here. The statements in Sections A, B, and E are correct to the best of my knowledge.

Property Owner or Owner's Authorized Representative's Name			
Address	City	State	ZIP Code
Signature	Date	Telephone	

Comments

Check here if attachments.



# BUILDING PHOTOGRAPHS

See Instructions for Item A6.

OMB No. 1660-0008

Expiration Date: November 30, 2018

## ELEVATION CERTIFICATE

<b>IMPORTANT: In these spaces, copy the corresponding information from Section A.</b>			<b>FOR INSURANCE COMPANY USE</b>
Building Street Address (including Apt., Unit, Suite, and/or Bldg. No.) or P.O. Route and Box No. 345 Dolphin Shores Circle			Policy Number:
City Nokomis	State Florida	ZIP Code 34275	Company NAIC Number

If using the Elevation Certificate to obtain NFIP flood insurance, affix at least 2 building photographs below according to the instructions for Item A6. Identify all photographs with date taken; "Front View" and "Rear View"; and, if required, "Right Side View" and "Left Side View." When applicable, photographs must show the foundation with representative examples of the flood openings or vents, as indicated in Section A8. If submitting more photographs than will fit on this page, use the Continuation Page.



Photo One

Photo One Caption Front View 02/24/2018



Photo Two

Photo Two Caption Rear View 02/24/2018

**ELEVATION CERTIFICATE**

**BUILDING PHOTOGRAPHS**

Continuation Page

OMB No. 1660-0008

Expiration Date: November 30, 2018

<b>IMPORTANT: In these spaces, copy the corresponding information from Section A.</b>			<b>FOR INSURANCE COMPANY USE</b>
Building Street Address (including Apt., Unit, Suite, and/or Bldg. No.) or P.O. Route and Box No. 345 Dolphin Shores Circle			Policy Number:
City Nokomis	State Florida	ZIP Code 34275	Company NAIC Number

If submitting more photographs than will fit on the preceding page, affix the additional photographs below. Identify all photographs with: date taken; "Front View" and "Rear View"; and, if required, "Right Side View" and "Left Side View." When applicable, photographs must show the foundation with representative examples of the flood openings or vents, as indicated in Section A8.

**Photo One**

Photo One

Photo One Caption

**Photo Two**

Photo Two

Photo Two Caption

# Crawl Space Door

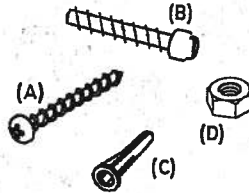
## quick+easy Installation Guide



**Crawl Space  
Door Systems**  
INCORPORATED

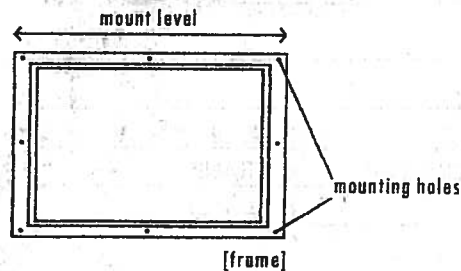
### WHAT YOU'LL NEED:

- POWER DRILL
- 1/4" MASONRY BIT
- PHILIPS HEAD SCREWDRIVER
- HAMMER
- LEVEL



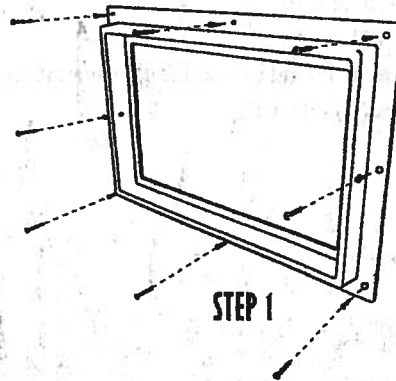
### INCLUDED IN THE KIT:

A	SCREWS	D	NUTS
B	THREADED NYLON PINS	E	FRAME
C	ANCHORS	F	LOUVER
		G	COVER



## STEP 1. FRAME INSTALLATION

- BALANCE frame (E) centered over crawlspace opening. With frame (E) in place, drill top center hole.
- INSERT anchor (C) into hole in wall.
- SECURE top center screw (A).
- LEVEL frame (E). With frame (E) held in place, drill remaining holes.
- INSERT remaining anchors (C) into wall.
- SECURE all screws (A).



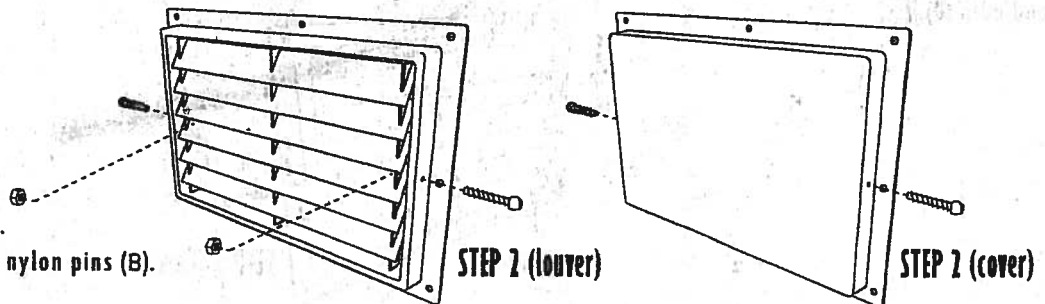
## STEP 2. LOUVER INSTALLATION

- PLACE louver (F) inside the frame (E).
- SECURE with threaded nylon pins (B) and nuts (D).

-01-

## COVER INSTALLATION

- PLACE cover (G) over frame (E).
- SECURE on sides with threaded nylon pins (B).



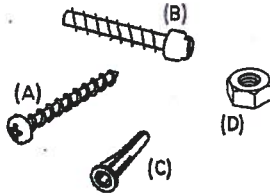
# Flood Vent

## quick+easy Installation Guide

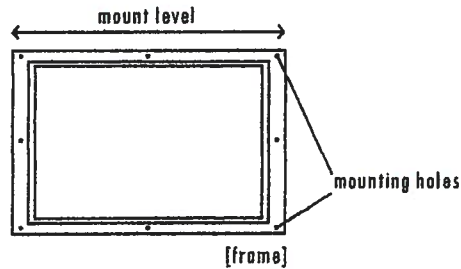


**Crawl Space  
Door Systems**  
INCORPORATED

WHAT YOU'LL NEED:	
•POWER DRILL	
•1/4" MASONRY BIT	
•PHILIPS HEAD SCREWDRIVER	
•HAMMER	
•LEVEL	

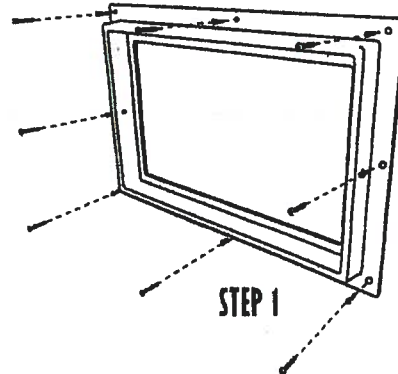


INCLUDED IN THE KIT:		
A	SCREWS	D NUTS
B	THREADED NYLON PINS	E FRAME
C	ANCHORS	F LOUVER



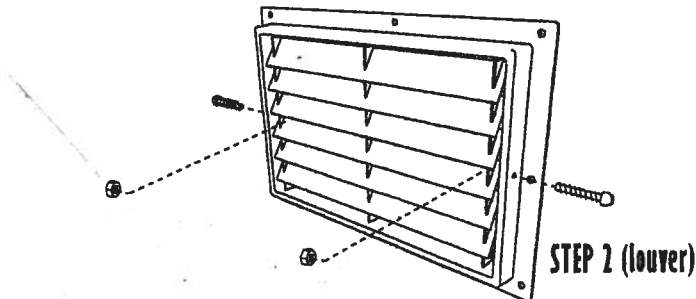
### STEP 1. FRAME INSTALLATION

BALANCE frame (E) centered over crawlspace opening. With frame (E) in place, drill top center hole.  
 INSERT anchor (C) into hole in wall.  
 SECURE top center screw (A).  
 LEVEL frame (E). With frame (E) held in place, drill remaining holes.  
 INSERT remaining anchors (C) into wall.  
 SECURE all screws (A).



### STEP 2. LOUVER INSTALLATION

PLACE louver (F) inside the frame (E).  
 SECURE on sides with threaded nylon pins (B) and nuts (D).





# Certification of Engineered Flood Openings

In accordance with the Code of Federal Regulations for the National Flood Insurance Program

I hereby certify that the **Crawl Space Door Systems flood vents 816CS, 1220CS, 1232CS, 1616CS, 1624CS, 1632CS, 2032CS, 2424CS, and 2436CS** are designed in accordance with the requirements of the Code of Federal Regulations for the National Flood Insurance Program (NFIP) to provide automatic equalization of hydrostatic flood forces by allowing for the entry and exit of floodwaters, when properly installed and sized as set forth below. Vent opening measurements were measured and certified by Mr. Christopher Mark Loney, Virginia P.E. NO. 029000. Detailed calculations were prepared as outlined in "Review of certification of Engineered Flood Openings," prepared by Dr. Georg Reichard, Associate Professor of Building Construction, Virginia Tech (available upon request from Crawl Space Door Systems, Inc. [billy@crawlspacedoors.com](mailto:billy@crawlspacedoors.com))

## Design Characteristics

Section 2.6.2.2 of ASCE/SEI 24-05 provides an equation to determine the required net area of engineered openings ( $A_o$ ) for a given enclosed area ( $A_e$ ). This equation is based on the hydraulic formula for the flow rate across sharp edged orifices. I have utilized this equation to calculate 1) the restricted flow rate through the main frame opening in case the louver is blown out during a flood event; 2) the flow rate through the individual openings between louver blades; and 3) the flow rate through projected openings between louver blades following hydraulic short-tube theory. The maximum total enclosed area ( $A_e$ ) that can be serviced by a single vent has then been determined by utilizing the lowest flow rate of the three assessed scenarios for each vent and is listed in Table 1. These values are based on the following assumptions:

- In absence of reliable data, the rates of rise and fall have been assumed at a minimum rate of 5 feet/hour;
- The (maximum) difference between the exterior and interior floodwater levels shall not exceed 1 foot during base flood conditions;
- A factor of safety of 5 has been assumed, which is consistent with design practices related to protection of life and property;
- The net area of openings ( $A_o$ ) as provided by the manufacturer.

*)	Model	H x W [in]	A <sub>o</sub> [in <sup>2</sup> ]	A <sub>e</sub> [ft <sup>2</sup> ]
<input type="checkbox"/>	816CS	8 x 16	105	205
<input type="checkbox"/>	1220CS	12 x 20	235	500
<input type="checkbox"/>	1232CS	12 x 32	305	645
<input type="checkbox"/>	1616CS	16 x 16	180	395
<input type="checkbox"/>	1624CS	16 x 24	310	670
<input type="checkbox"/>	1632CS	16 x 32	405	835
<input type="checkbox"/>	2032CS	20 x 32	630	1240
<input type="checkbox"/>	2424CS	24 x 24	570	1230
<input type="checkbox"/>	2436CS	24 x 36	850	1765

**Table 1** Maximum total enclosed area ( $A_e$ ) that can be serviced by each individual model based on the given net area of engineered openings ( $A_o$ )

## Installation Requirements and Limitations

This certification will be voided if the following installation requirements and limitations are not enforced:

- There shall be a minimum of two openings on different sides of each enclosed area subject to flooding;
- The bottom of all openings shall be no higher than one foot above the higher of the interior or exterior grade that is immediately under each opening;
- No temporary (e.g. during cold weather) or permanent solid cover may be placed into or over the flood vent that would block the automatic entry or exit of floodwaters at any time;
- Where data or analyses indicate more rapid rates of rise and fall, the required number of openings shall be increased to account for those different conditions. The number or size of the openings may be decreased if data or analyses indicate rates of rise and fall are less than 5 feet per hour.

## Certifying Design Professional

<b>Name</b>	Steve A. Geci	<b>Title</b>	President
<b>Company</b>	Geci & Associates Engineers, Inc.		
<b>Address</b>	2950 N 12 <sup>th</sup> Avenue, Pensacola, FL 32503		
<b>License</b>	Florida	<b>License No.</b>	33658
<b>Signature:</b>			<b>Date:</b> 11/29/17

## Identification of the Building and Installed Flood Vents (By Others)

The flood vent models marked in Table 1\*) are being installed at the following building:

*Building Address*

