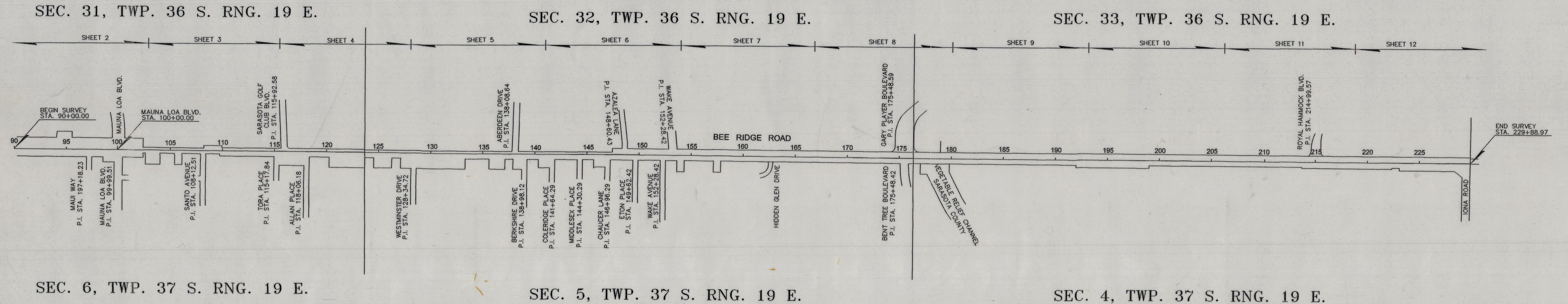
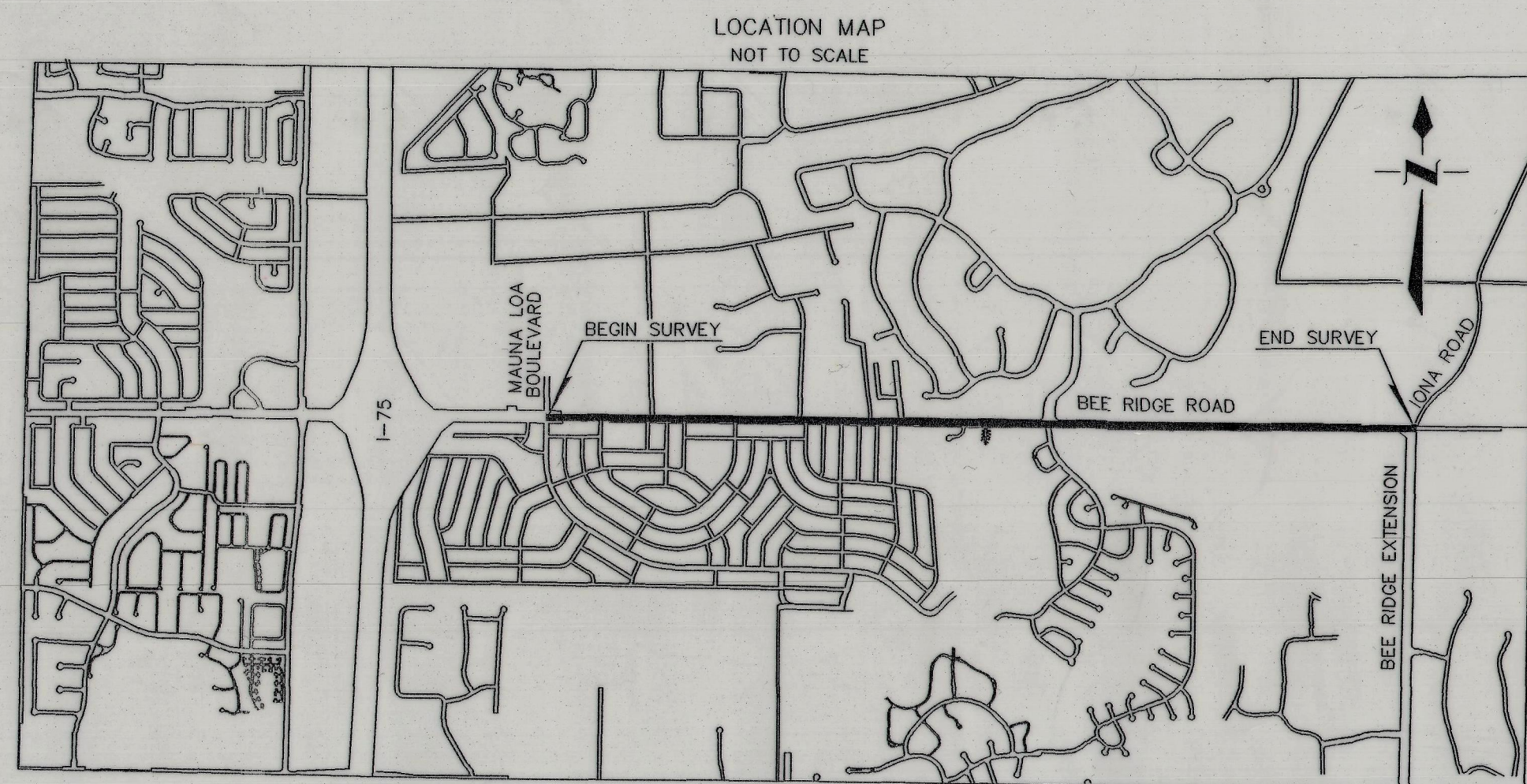


KEY MAP



SEC. 31, TWP. 36 S. RNG. 19 E.      SEC. 32, TWP. 36 S. RNG. 19 E.      SEC. 33, TWP. 36 S. RNG. 19 E.  
 SEC. 6, TWP. 37 S. RNG. 19 E.      SEC. 5, TWP. 37 S. RNG. 19 E.      SEC. 4, TWP. 37 S. RNG. 19 E.



FILE FOR RECORD IN ROAD PLAT BOOK 4 AT PAGES 86-86K  
 OF THE PUBLIC RECORDS OF SARASOTA COUNTY, FLORIDA,  
 THIS 21 DAY OF December A.D. 20 17

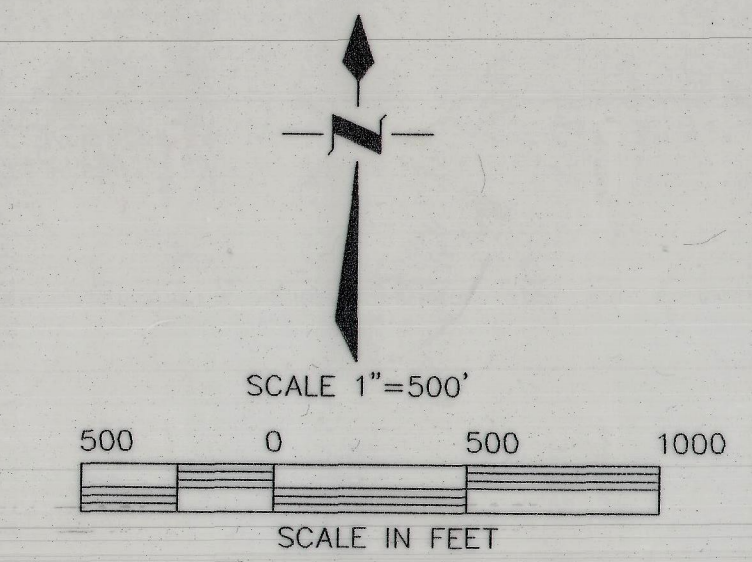
*Lin Kurant*  
 LIN KURANT, MANAGER  
 REAL PROPERTY

KAREN E. RUSHING  
 CLERK OF THE CIRCUIT COURT  
 SARASOTA COUNTY, FLORIDA  
 BY: *J. Yance*  
 DEPUTY CLERK



**SURVEYOR'S NOTES**

- BEARINGS SHOWN HEREON ARE BASED ON THE FLORIDA STATE PLANE COORDINATE SYSTEM, WEST ZONE, NAD83 ADJUSTMENT OF 1990. CONTROL FOR THE SURVEY IS BASED ON SARASOTA COUNTY CORNERS STATION "FRUIT". CONTROL WAS PROPAGATED TO THE LOCAL AREA USING REAL TIME KINETIC GPS TECHNIQUE. SCALE FACTOR WAS APPLIED.
- ADDITIONS OR DELETIONS TO THE SURVEY MAP BY OTHER THAN THE SIGNING PARTY IS PROHIBITED WITHOUT THE WRITTEN CONSENT OF THE SIGNING PARTY.
- THE SURVEY DEPICTED HERE IS NOT COVERED BY PROFESSIONAL LIABILITY INSURANCE. SARASOTA COUNTY IS SELF INSURED.
- R/W MARKERS AND SECTION CORNERS SET OCT. 9 2017.



ANY REPRODUCTION OF THIS MAP SHALL NOT BE "CERTIFIED A TRUE COPY" WITHOUT MY SIGNATURE AND DATE THEREOF IN INK, TOGETHER WITH MY EMBOSSED SEAL ON SAID COPY.

I HEREBY CERTIFY THAT THIS SPECIFIC PURPOSE SURVEY WAS MADE FOR THE PURPOSE OF SURVEYING, REFERENCING, DESCRIBING AND MAPPING THE BOUNDARIES OF SURVEY AND PROPOSED RIGHT OF WAY LINES AS SHOWN AND DEPICTED HEREON AND THAT SAID SURVEY WAS DONE UNDER MY RESPONSIBLE CHARGE AND MEETS THE MINIMUM TECHNICAL STANDARDS SET FORTH BY THE FLORIDA BOARD OF PROFESSIONAL LAND SURVEYORS IN CHAPTER 54-17, FLORIDA ADMINISTRATIVE CODE PURSUANT TO SECTION 475.007, FLORIDA STATUTES.  
*Teri S. Owen* STATE 12-12-17  
 TERI S. OWEN, Professional Surveyor and Mapper No. 6928

**ABBREVIATION LEGEND**

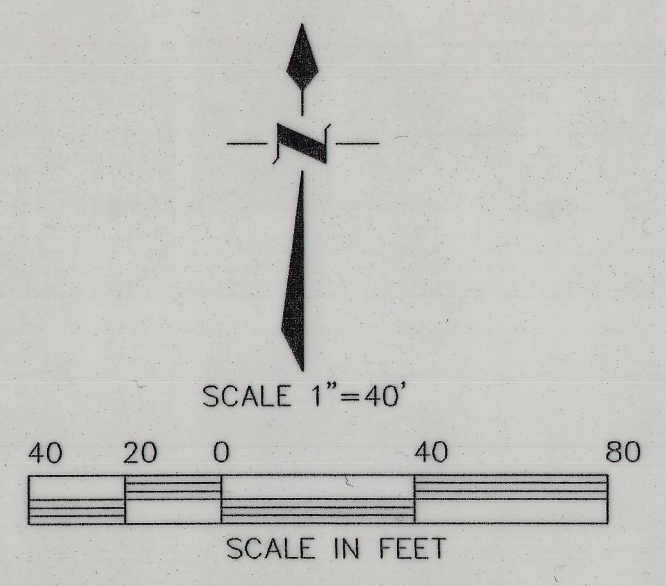
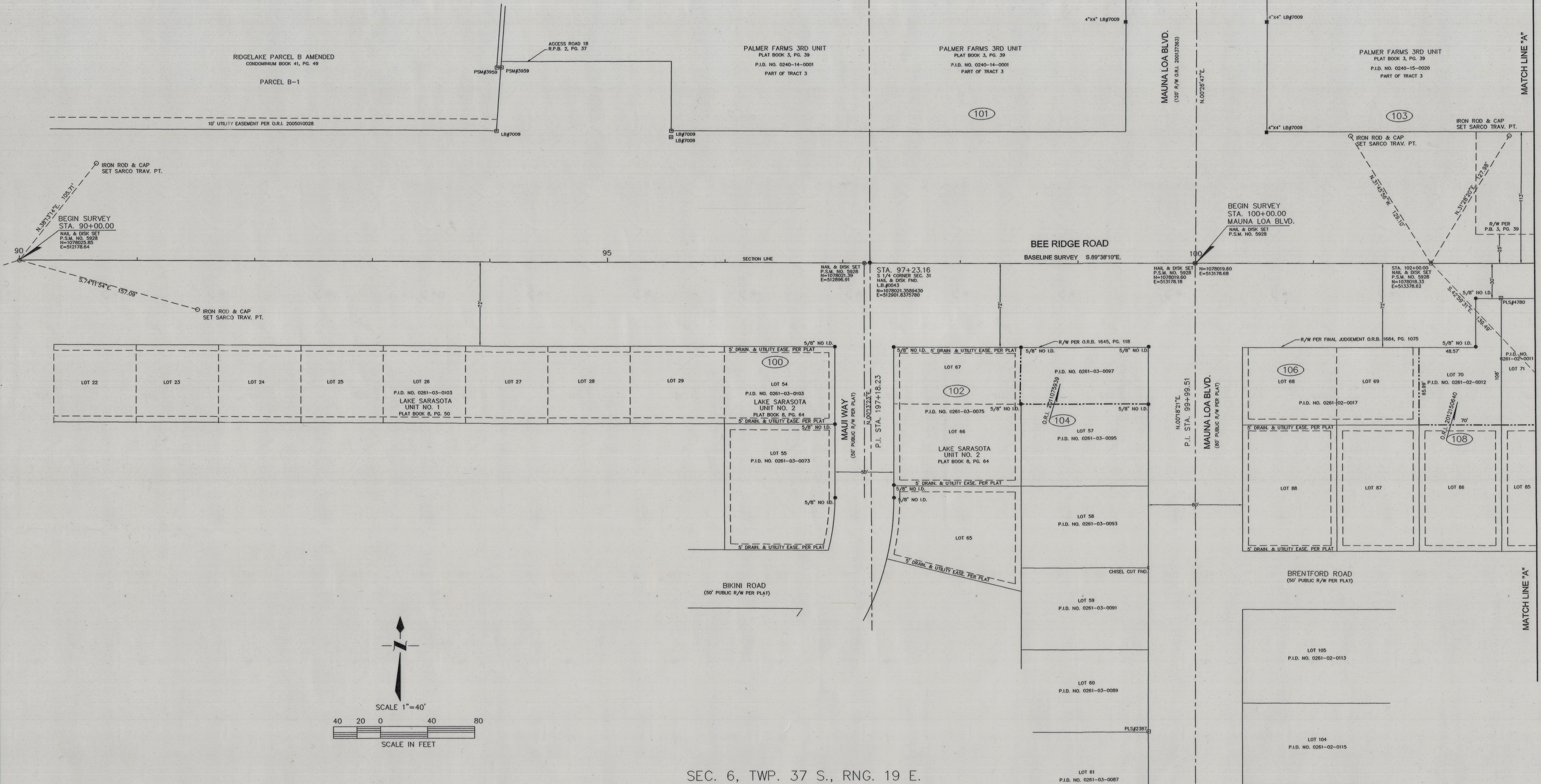
P.P. = POWER POLE	P.L.D. = PROPERTY IDENTIFICATION NO. = NUMBER	NAD = NAIL AND DISK
P.B. = PLAT BOOK	R.C.P. = REINFORCED CONCRETE PIPE	I.P. = IRON PIPE
C.M.P. = CORRUGATED METAL PIPE	T.O.S. = TOP OF SLOPE	I.R.P. = IRON ROD
FND. = FOUND	T.S.B. = TOP OF BANK	E.P. = EDGE OF PAVEMENT
PLAT = PLAT	O.T. = OPEN THROAT	DR. = DRIVE
M. = MEASURED	FPL = FLORIDA POWER & LIGHT	U/G = UNDERGROUND
P. = PAIR	R.P.B. = ROAD PLAT BOOK	OR. = OPEN THROAT
R.P.B. = ROAD PLAT BOOK	VER. = VERIZON	C.B. = BACK OF CURB
O.R.B. = OFFICIAL RECORDS BOOK	CATV = CABLE TELEVISION	EASE. = EASEMENT
		R = RADIUS

**SYMBOL LEGEND (SYMBOLS ARE NOT DRAWN TO SCALE)**

IR & ALUMINUM R/W MARKER CAP SET PSM#928	STREET LITE	YARD LITE
NAIL AND DISK SET PSM#928	UTILITY POLE	TRANSFORMER
IRON ROD & CAP FOUND	GUY WIRE	ELEC. METER
IRON ROD FOUND	MANHOLE	CLEANOUT
IRON PIPE FOUND	VALVE	SIGN
NAIL & DISK FOUND	FIRE HYDRANT	PULL BOX
TEMP. BENCH MARK	WATER METER	BACKFLOW
PHONE RISER	SERVICE BOX	

<b>SPECIFIC PURPOSE SURVEY                  RIGHT-OF-WAY MAP                  BEE RIDGE ROAD                  (I-75 L/A R/W TO IONA ROAD)</b>	PROJ. NO.: 11051	DWG DATE: 5-23-11	SHEET NO. 1
	SEC. 31, 32 & 33, TWP. 36 S., RNG. 19 E. SEC. 4, 5 & 6, TWP. 37 S., RNG. 19 E.	FIELD DATE: 8-5-11	of 12
	FIELD BOOK 513, PG. 71	DRAWN BY: T.S.O.	
	I:\SURVEY\BEERIDGE\11051.DWG	CHECKED BY: EUR/WP	

SEC. 31, TWP. 36 S., RNG. 19 E.

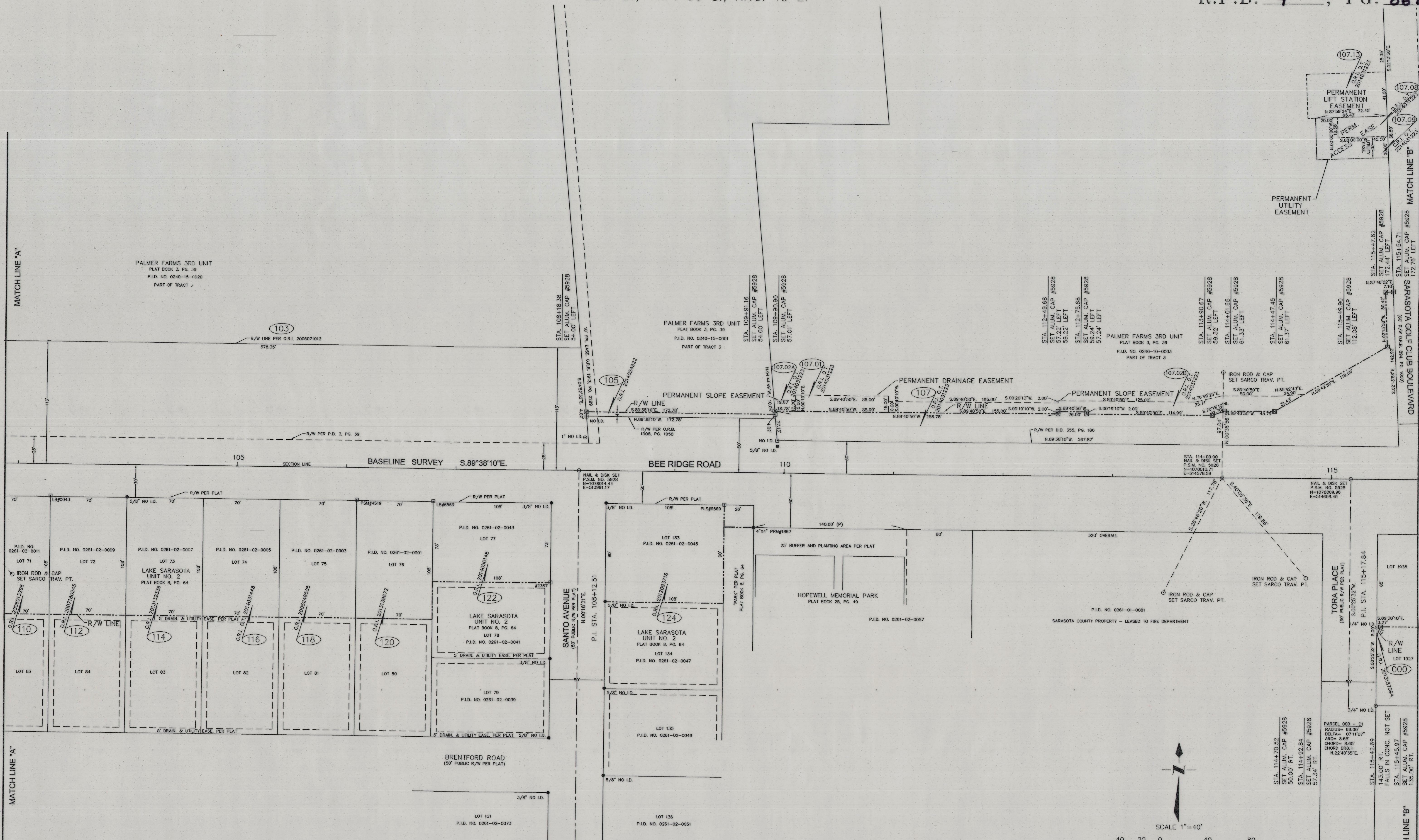


SEC. 6, TWP. 37 S., RNG. 19 E.

**SARASOTA COUNTY SURVEY-MAPPING**  
 GENERAL SERVICES, REAL ESTATE SERVICES  
 1001 SARASOTA CENTER BOULEVARD SARASOTA, FLORIDA 34240  
 941/861-6709 \* 941/861-6053

ABBREVIATION LEGEND		SYMBOL LEGEND (SYMBOLS ARE NOT DRAWN TO SCALE)	
P.P. = POWER POLE	P.I.D. = PROPERTY IDENTIFICATION	IR & ALUMINUM R/W MARKER	STREET LITE
P.B. = PLAT BOOK	NO. = NUMBER	CAP SET PSM#5928	TRANSFORMER
CONC. = CONCRETE	R.C.P. = REINFORCED CONCRETE PIPE	NAIL & DISK SET PSM#5928	FIRE HYDRANT
IRON = IRON	C.M.P. = CORRUGATED METAL PIPE	IRON ROD & CAP FOUND	ELEC. METER
R/W = RIGHT-OF-WAY	T.O.S. = TOP OF SLOPE	IRON ROD FOUND	MANHOLE
FOUND = FOUND	T.O.B. = TOP OF BANK	IRON PIPE FOUND	VALVE
(P) = PLAT	O.T. = OPEN TROUGH	NAIL & DISK FOUND	FIRE HYDRANT
(M) = MEASURED	P.F.L. = FLORIDA POWER & LIGHT	R.P.D. = ROAD PLAT BOOK	WATER METER
PS. = PAGE	VER. = VERSION	O.R.B. = OFFICIAL RECORDS BOOK	BACKFLOW
R.P.D. = ROAD PLAT BOOK	CATV = CABLE TELEVISION		
O.R.B. = OFFICIAL RECORDS BOOK			

<b>SPECIFIC PURPOSE SURVEY          RIGHT-OF-WAY MAP          BEE RIDGE ROAD          (1-75 L/A R/W TO IONA ROAD)</b>	PROJ. NO.: 11051	DWG DATE: 5-23-11	SHEET NO. 2 of 12
	SEC. 31, 32 & 33, TWP. 36 S., RNG. 19 E. SEC. 4, 5 & 6, TWP. 37 S., RNG. 19 E.	FIELD DATE: 8-5-11	
	FIELD BOOK 513, PG. 71	DRAWN BY: T.S.O.	
	I:\SURVEY\BEERDGS\11051.DWG	CHECKED BY: EJR/MP	



SEC. 6, TWP. 37 S., RNG. 19 E.

**SARASOTA COUNTY SURVEY-MAPPING**  
 GENERAL SERVICES, REAL ESTATE SERVICES  
 1001 SARASOTA CENTER BOULEVARD SARASOTA, FLORIDA 34240  
 941/861-6709 \* 941/861-6053

**ABBREVIATION LEGEND**

P.P. = POWER POLE	P.B. = PLAT BOOK	C.C.M. = CONCRETE MON.	M.N. = MONUMENT	R.O.W. = RIGHT-OF-WAY	F.N.D. = FOUND	Q.T. = QUANTITY	M. = MEASURED	P. = PLAT	R.P.B. = ROAD PLAT BOOK	O.R.B. = OFFICIAL RECORDS BOOK
P.I.D. = PROPERTY IDENTIFICATION NO. = NUMBER	R.C.P. = REINFORCED CONCRETE PIPE	C.M.P. = CORRUGATED METAL PIPE	T.O.S. = TOP OF SLOPE	T.O.B. = TOP OF BANK	O.T. = OPEN TRENCH	P.L. = PINE	F.P.L. = FLORIDA POWER & LIGHT	VER. = VERIZON	E.A. = EASEMENT	R. = RADIUS
N.A.D. = NAIL AND DISK	I.P. = IRON PIPE	L.P. = IRON ROD	P. = SIDE OF PAVEMENT	DR. = DRIVE	U/G. = UNDERGROUND	DR. = DRAINAGE	E.C.L. = BACK OF CURB	E.A. = EASEMENT	R. = RADIUS	

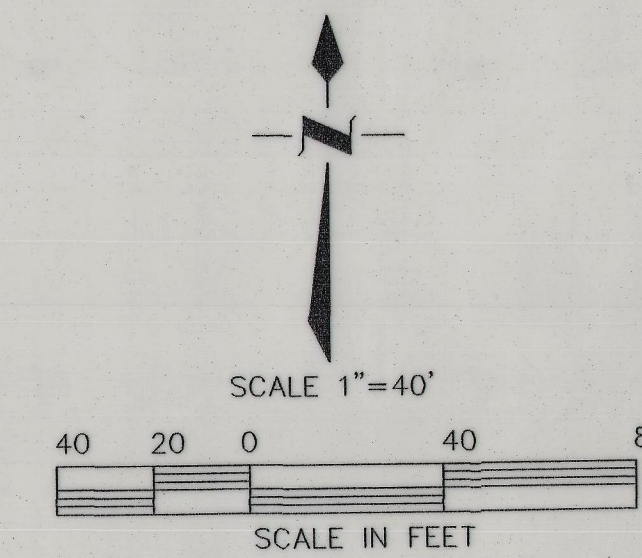
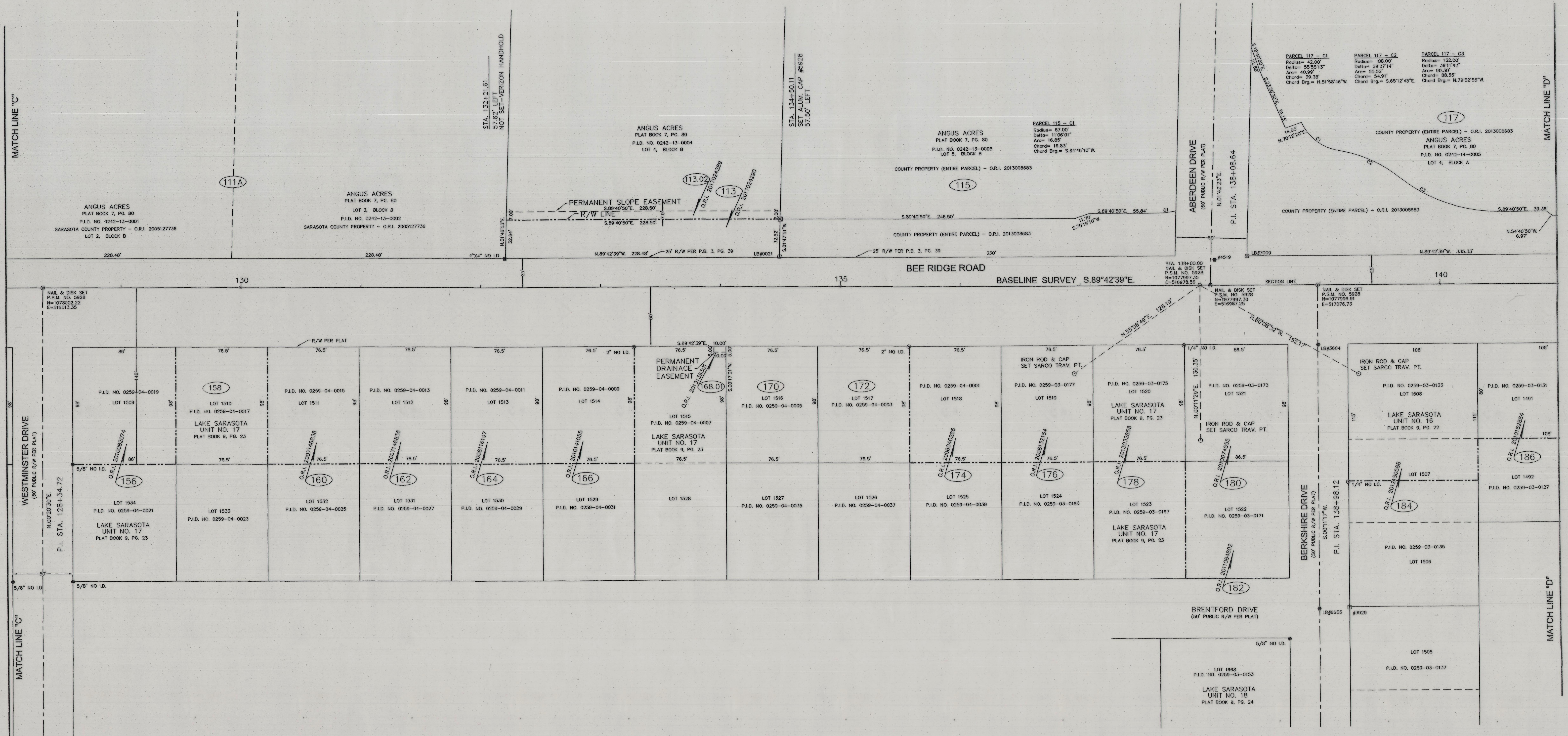
**SYMBOL LEGEND (SYMBOLS ARE NOT DRAWN TO SCALE)**

— LR. & ALUMINUM R/W MARKER	— STREET LITE	— YARD LITE	— BUSH
— CAP SET PSM#5928	— UTILITY POLE	— TRANSFORMER	— PINE TREE
— NAIL AND DISK SET PSM#5928	— LIGHT POLE	— FIRE HYDRANT	— TREE (UNKNOWN)
— CONCRETE MONUMENT FOUND	— CITY WIRE	— CLEC. METER	— OAK TREE
— IRON ROD & CAP FOUND	— MANHOLE	— CLEANOUT	— PALM TREE
— IRON ROD FOUND	— VALVE	— SIGN	— CEDAR TREE
— IRON PIPE FOUND	— FIRE HYDRANT	— FULL BOX	— AUSTRALIAN PINE
— NAIL & DISK FOUND	— WATER METER	— BACKFLOW	— MAPLE PINE
— TEMP. BENCH MARK	— SERVICE BOX		
— PHONE RISER			

**SPECIFIC PURPOSE SURVEY RIGHT-OF-WAY MAP**  
**BEE RIDGE ROAD**  
 (1-75 L/A R/W TO IONA ROAD)

PROJ. NO.: 11051	DWG DATE: 5-23-11	SHEET NO.: 3
SEC. 31, 32 & 33, TWP. 36 S., RNG. 19 E.	FIELD DATE: 8-5-11	OF 12
SEC. 4, 5 & 6, TWP. 37 S., RNG. 19 E.	DRAWN BY: T.S.O.	
FIELD BOOK 513, PG. 71	CHECKED BY: EJR/WP	
I:\SURVEY\BEERIDG\11051.DWG		

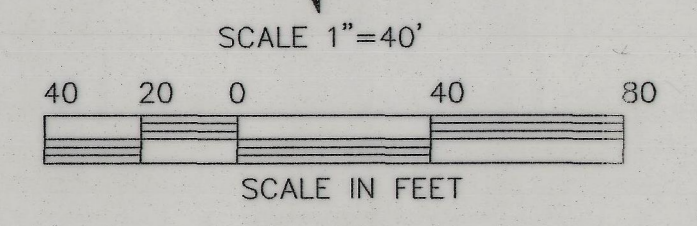
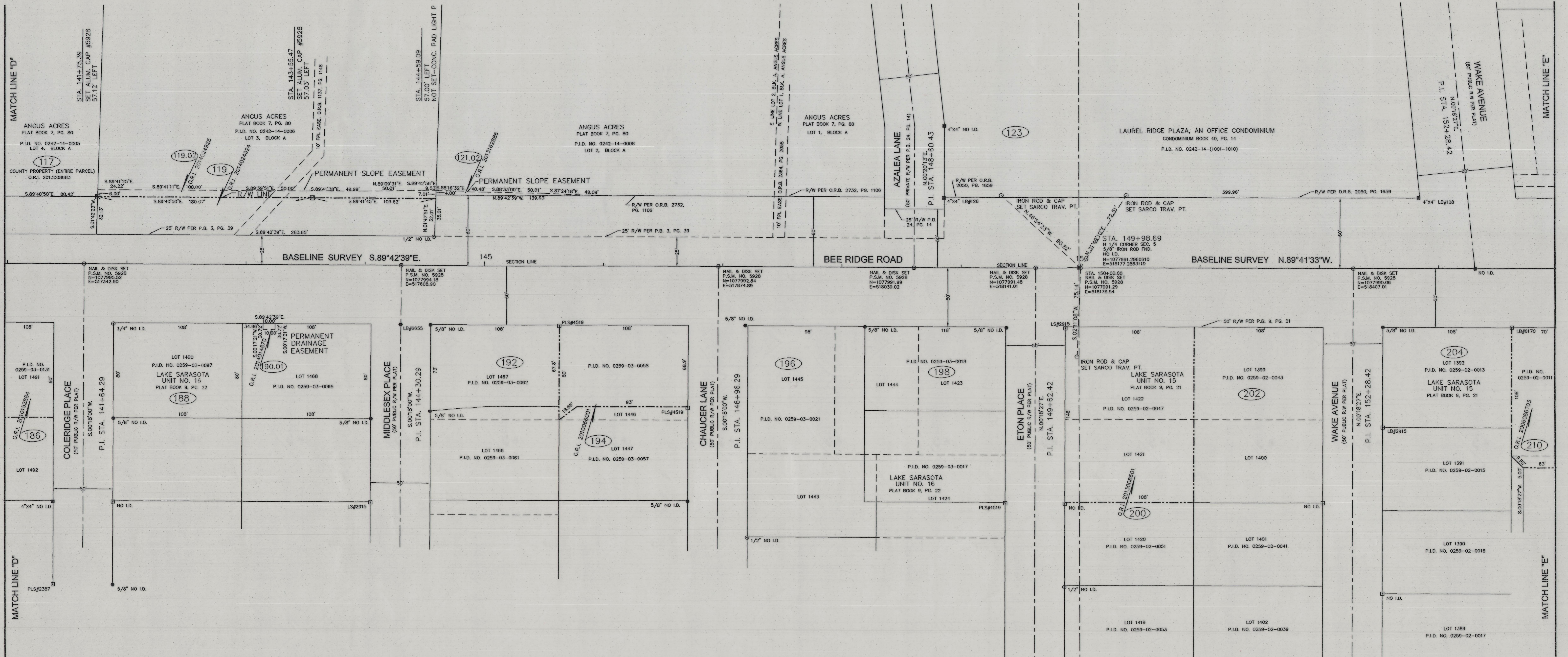




**SARASOTA COUNTY SURVEY-MAPPING**  
 GENERAL SERVICES, REAL ESTATE SERVICES  
 1001 SARASOTA CENTER BOULEVARD SARASOTA, FLORIDA 34240  
 941/861-6709 • 941/861-6053

ABBREVIATION LEGEND		SYMBOL LEGEND (SYMBOLS ARE NOT DRAWN TO SCALE)	
P.P. = POWER POLE	P.B. = PLAT BOOK	CONC. = CONCRETE	MON. = MONUMENT
R/W = RIGHT-OF-WAY	FRG. = FOUND	(*) = PLAT	(M) = MEASURED
PL = PLAT	R.P.B. = ROAD PLAT BOOK	O.R.B. = OFFICIAL RECORDS BOOK	
P.I.D. = PROPERTY IDENTIFICATION NUMBER	R.C.P. = REINFORCED CONCRETE PIPE	C.M.P. = CORRUGATED METAL PIPE	T.O.S. = TOE OF SLOPE
T.O.B. = TOP OF BANK	O.T. = OPEN THROAT	F.P. = FLORIDA POWER & LIGHT	VER. = VERIZON
EASE. = EASEMENT	CATV = CABLE TELEVISION		
N&D = NAIL AND DISK	IR = IRON ROD	E.P. = EDGE OF PAVEMENT	U.G. = UNDERGROUND
DR. = DRAINAGE	B.O.C. = BACK OF CURB	EASE. = EASEMENT	R = RADIUS
IR & ALUMINUM R/W MARKER	CAP SET PSM#5928	NAIL AND DISK SET PSM#5928	CONCRETE MONUMENT FOUND
IRON ROD & CAP FOUND	IRON ROD FOUND	IRON PIPE FOUND	WATER METER
TEMP. BENCH MARK	PHONE RISER	STREET LITE	UTILITY POLE
LIGHT POLE	GY WIRE	MANHOLE	VALVE
CLEANOUT	FIRE HYDRANT	SIGN	PULL BOX
BACKFLOW			
YARD LITE	TRANSFORMER	FIRE HYDRANT	ELEC. METER
MANHOLE	VALVE	CLEANOUT	FIRE HYDRANT
SIGN	PULL BOX	BACKFLOW	
BUSH	PINE TREE	TREE (UNKNOWN)	OAK TREE
PALM TREE	CEDAR TREE	AUSTRALIAN PINE	MAPLE PINE

<b>SPECIFIC PURPOSE SURVEY</b> <b>RIGHT-OF-WAY MAP</b> <b>BEE RIDGE ROAD</b> <b>(1-75 L/A R/W TO IONA ROAD)</b>	PROJ. NO.: 11051 SEC. 31, 32 & 33, TWP. 36 S., RNG. 19 E. SEC. 4, 5 & 6, TWP. 37 S., RNG. 19 E. FIELD BOOK 513, PG. 71 I:\SURVEY\BEERIDG\11051.DWG	DWG DATE: 5-23-11 FIELD DATE: 8-5-11 DRAWN BY: T.S.O. CHECKED BY: EJR/MP	SHEET NO. 5 of 12
--	--	---	----------------------------



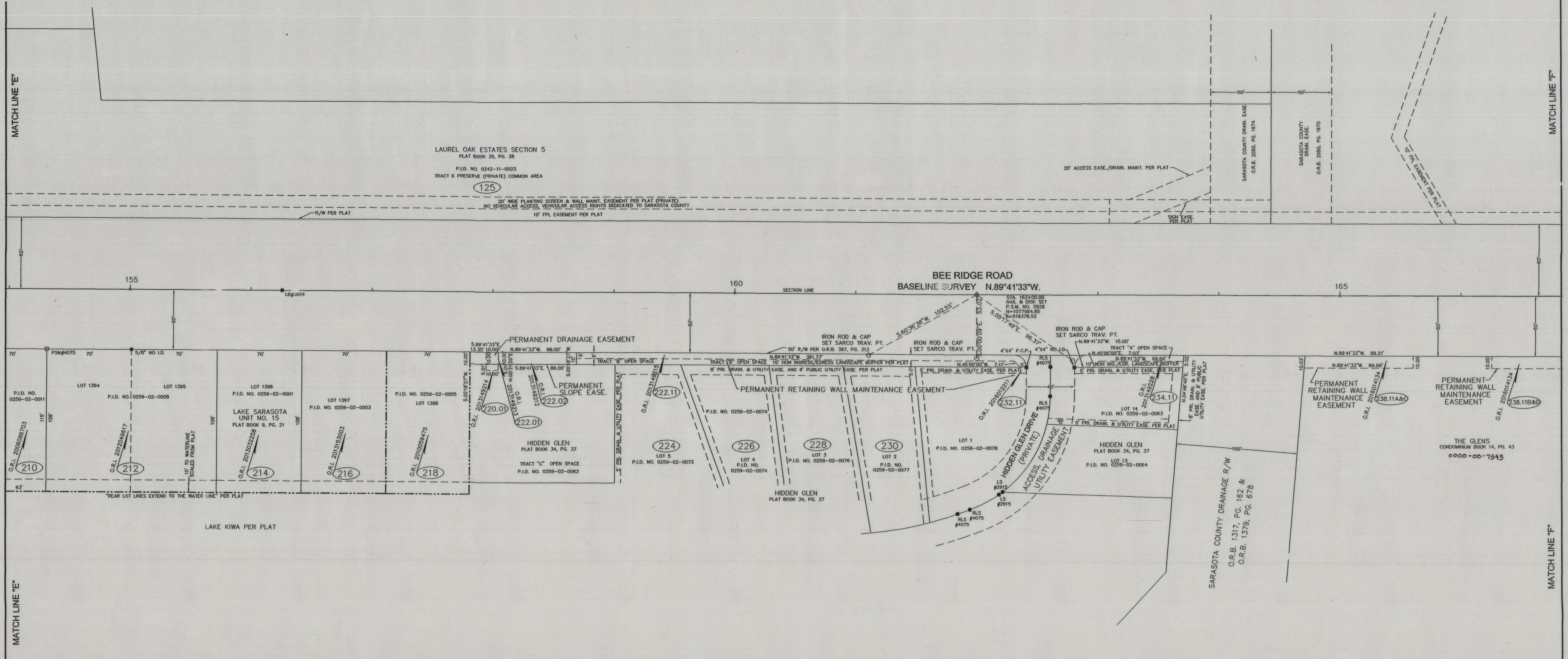
**SARASOTA COUNTY**  
**SARASOTA COUNTY SURVEY-MAPPING**  
 GENERAL SERVICES, REAL ESTATE SERVICES  
 1001 SARASOTA CENTER BOULEVARD SARASOTA, FLORIDA 34240  
 941/861-6709 \* 941/861-6053

ABBREVIATION LEGEND	
PP = POWER POLE	P.I.D. = PROPERTY IDENTIFICATION
P.B. = PLAT BOOK	NO. = NUMBER
CONC. = CONCRETE	R.C.P. = REINFORCED CONCRETE PIPE
MON. = MONUMENT	C.M.P. = CORRUGATED METAL PIPE
R/W = RIGHT-OF-WAY	T.O.S. = TOP OF SLOPE
FRD. = FOUND	L.O.B. = TOP OF BANK
(M) = MEASURED	O.T. = OPEN TROUGH
PL. = PLAT	PL. = FLORIDA POWER & LIGHT
PG. = PAGE	VER. = VERIZON
R.P.B. = ROAD PLAT BOOK	EASE. = EASEMENT
O.R.B. = OFFICIAL RECORDS BOOK	CATV = CABLE TELEVISION
	HAD = NAIL AND DISK
	IP. = IRON PIPE
	IR. = IRON ROD
	EP. = EDGE OF PAVEMENT
	DR. = DRIVE
	U/G = UNDERGROUND
	DRAN. = DRAINAGE
	SCM. = BACK OF CURB
	EASE. = EASEMENT
	R. = RADIUS

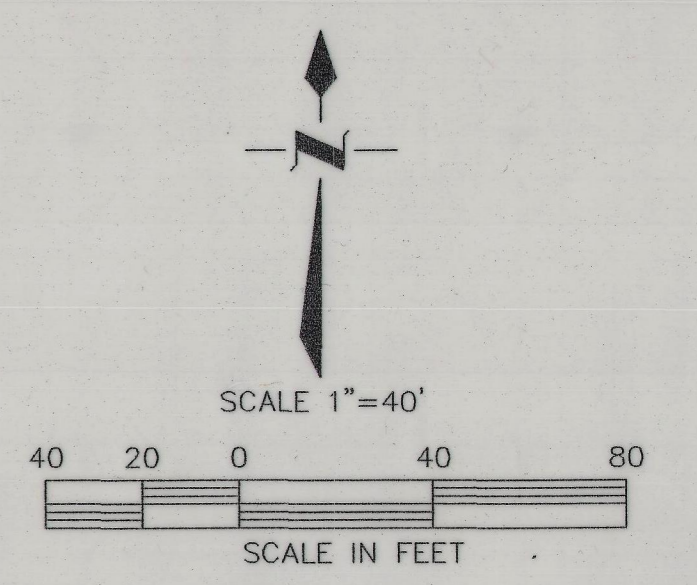
SYMBOL LEGEND (SYMBOLS ARE NOT DRAWN TO SCALE)	
⊙ - IR. & ALUMINUM R/W MARKER	⊙ - STREET LITE
⊙ - NAIL AND DISK SET PSM#5928	⊙ - UTILITY POLE
⊙ - CONCRETE MONUMENT FOUND	⊙ - LIGHT POLE
⊙ - IRON ROD & CAP FOUND	⊙ - GUY WIRE
⊙ - IRON PIPE FOUND	⊙ - MANHOLE
⊙ - IRON ROD FOUND	⊙ - CLEANOUT
⊙ - VALVE	⊙ - SIGN
⊙ - FIRE HYDRANT	⊙ - WATER METER
⊙ - AUSTRALIAN PINE	⊙ - PULL BOX
⊙ - TEMP. BENCH MARK	⊙ - BACKFLOW
⊙ - PHONE RISER	⊙ - SERVICE BOX

⊙ - BUSH	⊙ - TREE (UNKNOWN)
⊙ - OAK TREE	⊙ - PALM TREE
⊙ - CEDAR TREE	⊙ - MAPLE TREE

<b>SPECIFIC PURPOSE SURVEY</b> <b>RIGHT-OF-WAY MAP</b> <b>BEE RIDGE ROAD</b> <b>(I-75 L/A R/W TO IONA ROAD)</b>	PROJ. NO.: 11051	DWG DATE: 5-23-11	SHEET NO.
	SEC. 31, 32 & 33, TWP. 36 S., RNG. 19 E.	FIELD DATE: 8-5-11	6
	FIELD BOOK 513, PG. 71	DRAWN BY: T.S.O.	12
	I:\SURVEY\BEERIDG\11051.DWG	CHECKED BY: EJR/WP	



SEC. 5, TWP. 37 S., RNG. 19 E.



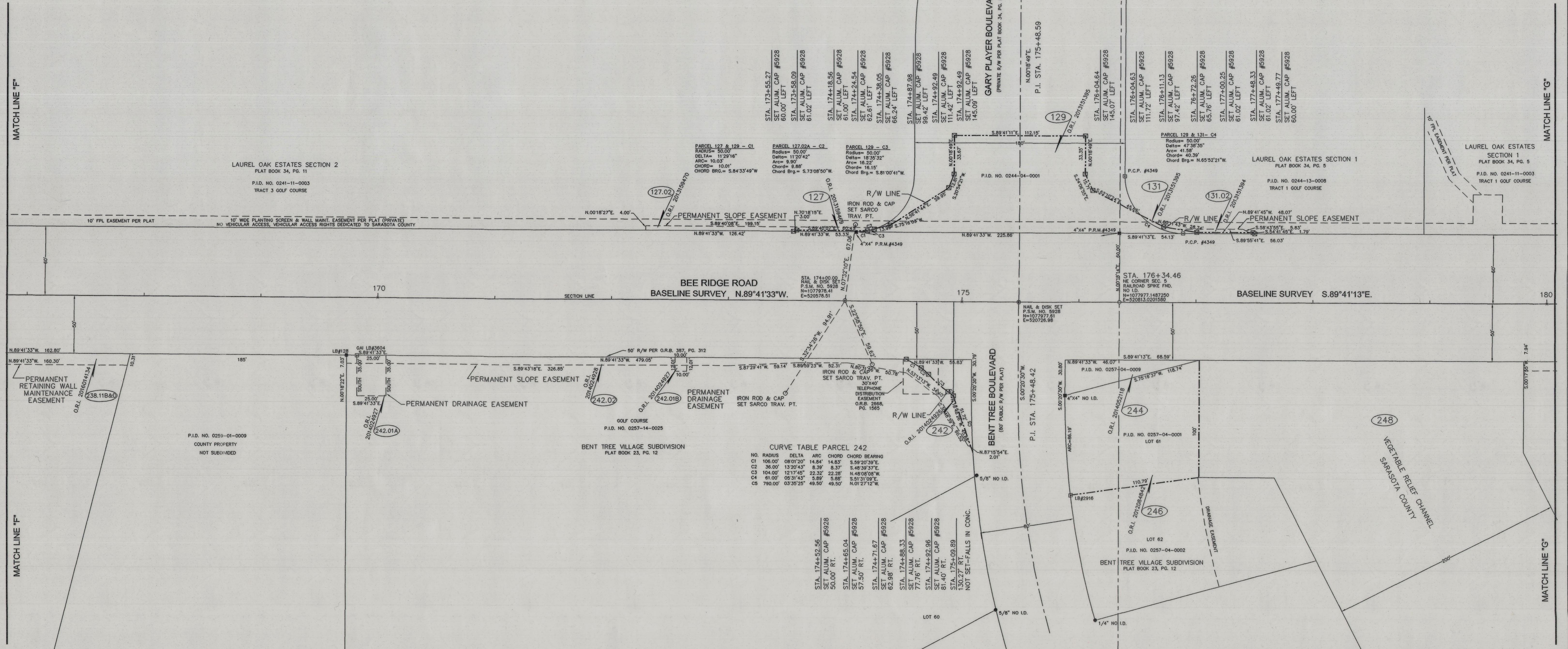
**SARASOTA COUNTY SURVEY-MAPPING**  
 GENERAL SERVICES, REAL ESTATE SERVICES  
 1001 SARASOTA CENTER BOULEVARD SARASOTA, FLORIDA 34240  
 941/861-6709 • 941/861-6053

ABBREVIATION LEGEND		SYMBOL LEGEND (SYMBOLS ARE NOT DRAWN TO SCALE)	
P.P. = POWER POLE	P.I.D. = PROPERTY IDENTIFICATION	⊠ = IR. & ALUMINUM R/W MARKER	⊠ = STREET LITE
P.B. = PLAT BOOK	NO. = NUMBER	⊠ = CAP SET PSM5928	⊠ = UTILITY POLE
CONC. = CONCRETE	R.C.P. = REINFORCED CONCRETE PIPE	⊠ = NAIL AND DISK SET PSM5928	⊠ = FIRE HYDRANT
MON. = MONUMENT	C.M.P. = CORRUGATED METAL PIPE	⊠ = CONCRETE MONUMENT FOUND	⊠ = ELEC. METER
R/W = RIGHT-OF-WAY	T.O.S. = TOP OF SLOPE	⊠ = IRON ROD & CAP FOUND	⊠ = MANGROVE
PLAT = PLAT	T.O.B. = TOP OF BANK	⊠ = IRON ROD FOUND	⊠ = VALVE
(M) = MEASURED	D.T. = OPEN THROAT	⊠ = IRON PIPE FOUND	⊠ = CLEANOUT
FC = FENCE	FPL = FLORIDA POWER & LIGHT	⊠ = NAIL & DISK FOUND	⊠ = FIRE HYDRANT
R.P.B. = ROAD PLAT BOOK	FPL = FLORIDA POWER & LIGHT	⊠ = TEMP. BENCH MARK	⊠ = WATER METER
O.R.B. = OFFICIAL RECORDS BOOK	CATV = CABLE TELEVISION	⊠ = PHONE RISER	⊠ = PULL BOX
			⊠ = BACKFLOW
			⊠ = SERVICE BOX
			⊠ = YARD LITE
			⊠ = TRANSFORMER
			⊠ = FIRE TREE
			⊠ = TREE (UNKNOWN)
			⊠ = OAK TREE
			⊠ = PALM TREE
			⊠ = CEDAR TREE
			⊠ = AUSTRALIAN PINE
			⊠ = MAPLE TREE

<b>SPECIFIC PURPOSE SURVEY</b> <b>RIGHT-OF-WAY MAP</b> <b>BEE RIDGE ROAD</b> <b>(1-75 L/A R/W TO IONA ROAD)</b>	PROJ. NO.: 11051	DWG DATE: 5-23-11	SHEET NO. 7 of 12
	SEC. 31, 32 & 33, TWP. 36 S., RNG. 19 E. SEC. 4, 5 & 6, TWP. 37 S., RNG. 19 E.		
	FIELD BOOK 513, PG. 71	DRAWN BY: T.S.O.	
	I:\SURVEY\BEERIDG\11051.DWG	CHECKED BY: EJR/WP	

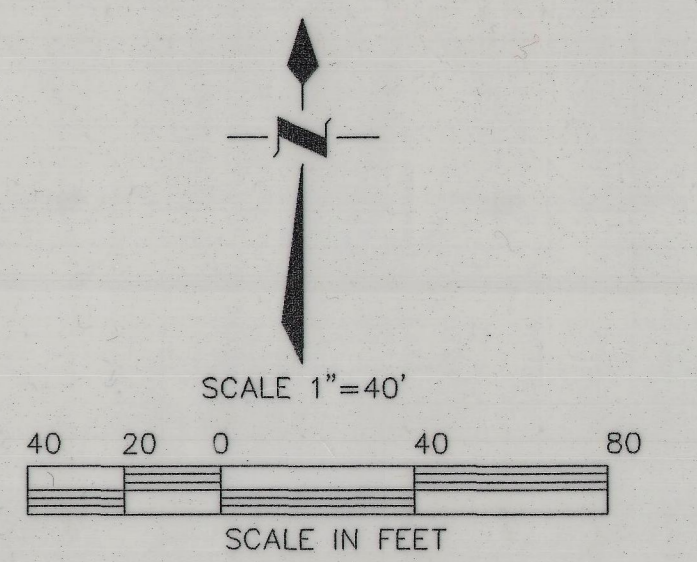
SEC. 32, TWP. 36 S., RNG. 19 E.

SEC. 33, TWP. 36 S., RNG. 19 E.



SEC. 5, TWP. 37 S., RNG. 19 E.

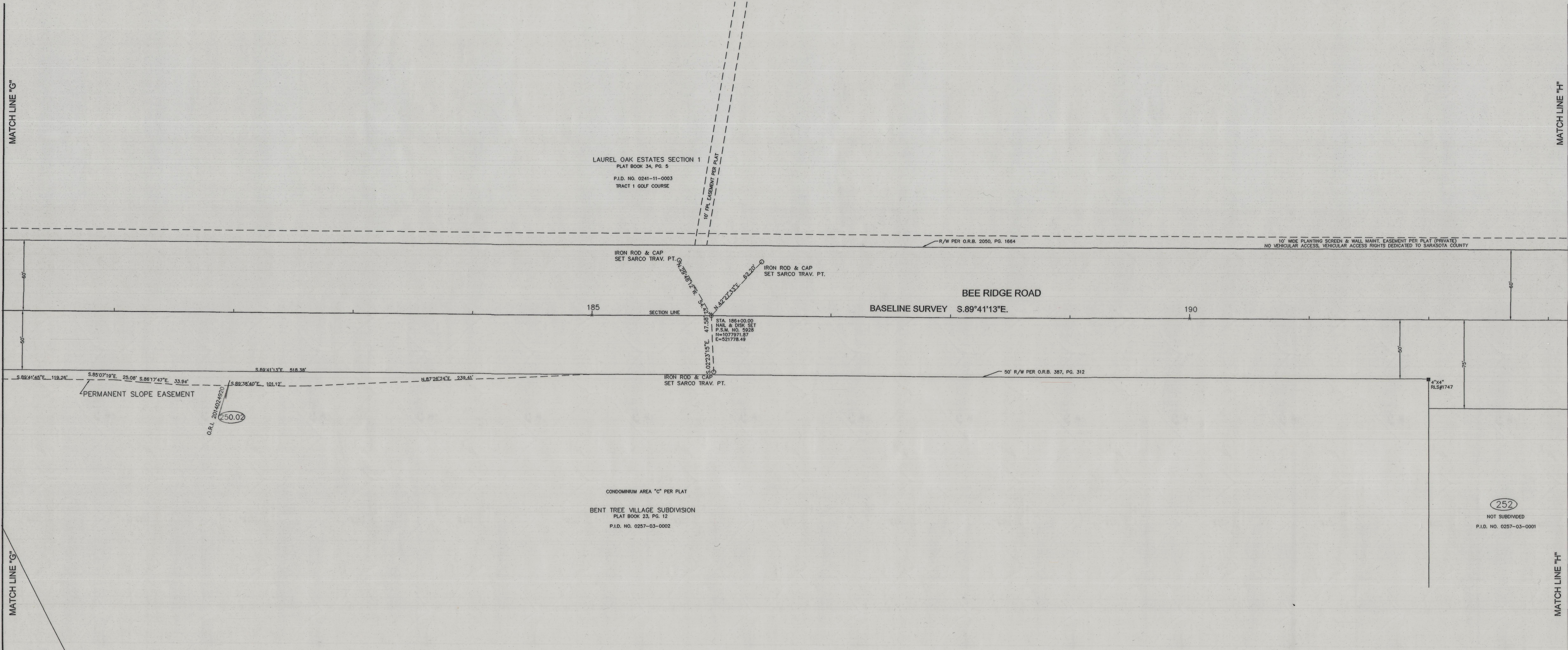
SEC. 4, TWP. 37 S., RNG. 19 E.



<p><b>SARASOTA COUNTY SURVEY-MAPPING</b> GENERAL SERVICES, REAL ESTATE SERVICES 1001 SARASOTA CENTER BOULEVARD SARASOTA, FLORIDA 34240 941/861-6709 * 941/861-6053</p>	<p><b>ABBREVIATION LEGEND</b></p> <p>P.I.D. = PROPERTY IDENTIFICATION NO. = NUMBER CONC. = CONCRETE MON. = MONUMENT R/W = RIGHT-OF-WAY FND. = FOUND M = MEASURED PG. = PAGE R.P.B. = ROAD PLAT BOOK O.R.B. = OFFICIAL RECORDS BOOK</p> <p>N&amp;D = NAIL AND DISK I.R. = IRON ROD E.P. = EDGE OF PAVEMENT D.S. = DRIVE U/G = UNDERGROUND DRAIN. = DRAINAGE B.O.C. = BACK OF CURB EASE. = EASEMENT R = RADIUS</p>	<p><b>SYMBOL LEGEND (SYMBOLS ARE NOT DRAWN TO SCALE)</b></p> <p>— IR &amp; ALUMINUM R/W MARKER CAP SET PSM#5928 — CONCRETE MONUMENT FOUND — IRON ROD &amp; CAP FOUND — IRON ROD FOUND — NAIL &amp; DISK FOUND — TEMP. BENCH MARK — PHONE RISER</p> <p>— STREET LITE — UTILITY POLE — LIGHT POLE — SOFT WIRE — MANHOLE — VALVE — FIRE HYDRANT — WATER METER — SERVICE BOX</p> <p>— YARD LITE — TRANSFORMER — FIRE HYDRANT — ELEC. METER — CLEANOUT — SIGN — PULL BOX — BACKFLOW</p> <p>○ BUSH ○ PINE TREE ○ TREE (UNKNOWN) ○ OAK TREE ○ PALM TREE ○ CEDAR TREE ○ AUSTRALIAN PINE ○ MAPLE PINE</p>	<p><b>SPECIFIC PURPOSE SURVEY RIGHT-OF-WAY MAP</b> <b>BEE RIDGE ROAD</b> (I-75 L/A R/W TO IONA ROAD)</p>	<p>PROJ. NO.: 11051 SEC. 31, 32 &amp; 33, TWP. 36 S., RNG. 19 E. SEC. 4, 5 &amp; 6, TWP. 37 S., RNG. 19 E. FIELD BOOK 513, PG. 71 I:\SURVEY\BEERIDG\11051.DWG</p>	<p>DWG DATE: 5-23-11 FIELD DATE: 8-5-11 DRAWN BY: T.S.O. CHECKED BY: EJR/WP</p>	<p>SHEET NO. 8 of 12</p>
--	--	--	--	---	---	--------------------------------------

MATCH LINE "G"

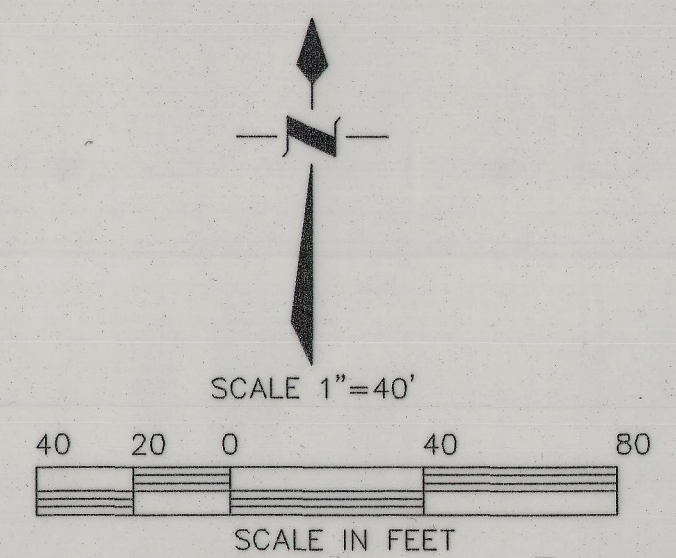
MATCH LINE "H"



MATCH LINE "G"

MATCH LINE "H"

SEC. 4, TWP. 37 S., RNG. 19 E.



**SARASOTA COUNTY SURVEY-MAPPING**  
 GENERAL SERVICES, REAL ESTATE SERVICES  
 1001 SARASOTA CENTER BOULEVARD SARASOTA, FLORIDA 34240  
 941/861-6709 • 941/861-6053

**ABBREVIATION LEGEND**

P.P. = POWER POLE	P.I.D. = PROPERTY IDENTIFICATION	NAD = NAIL AND DISK
P.B. = PLAT BOOK	NO. = NUMBER	I.P. = IRON PIPE
CONC. = CONCRETE	R.C.P. = REINFORCED CONCRETE PIPE	I.R. = IRON ROD
MON. = MONUMENT	C.M.P. = CORRUGATED METAL PIPE	E.P. = EDGE OF PAVEMENT
R/W = RIGHT-OF-WAY	T.O.S. = TOP OF SLOPE	DR. = DRIVE
FOU. = FOUND	T.O.B. = TOP OF BANK	U/G = UNDERGROUND
(P) = PLAT	O.T. = OPEN THROAT	DRAIN = DRAINAGE
(M) = MEASURED	F.P.L. = FLORIDA POWER & LIGHT	B.O.C. = BACK OF CURB
PG. = PAGE	R.P.B. = ROAD PLAT BOOK	EASE = EASEMENT
O.R.B. = OFFICIAL RECORDS BOOK	VER. = VERTICAN	R = RADIUS
	CATV = CABLE TELEVISION	

**SYMBOL LEGEND (SYMBOLS ARE NOT DRAWN TO SCALE)**

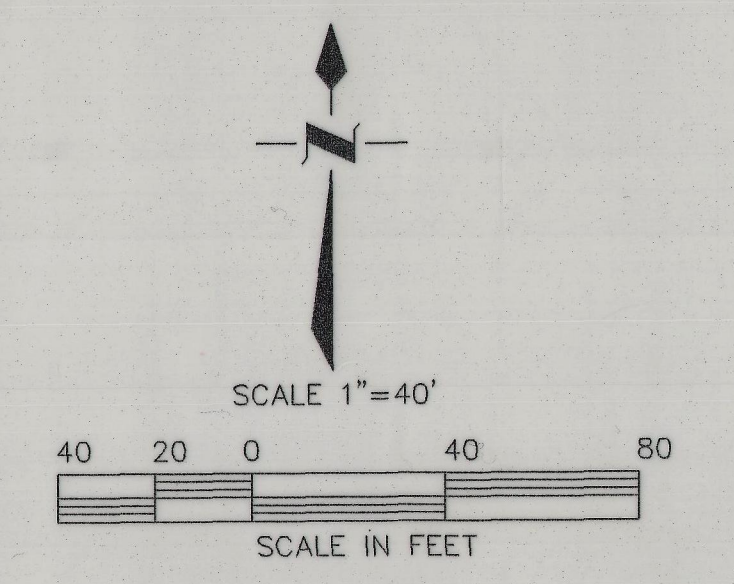
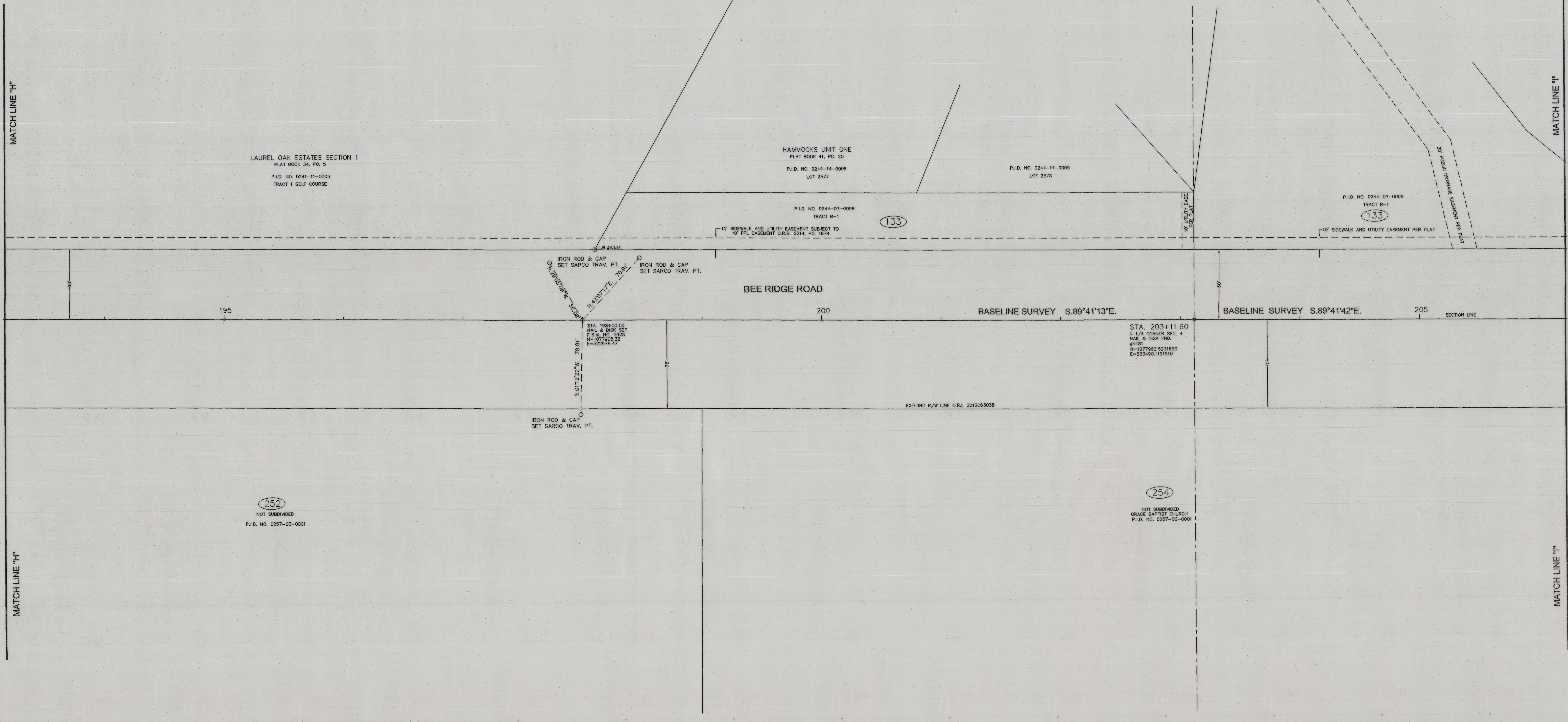
UR & ALUMINUM R/W MARKER	STREET LITE	YARD LITE	BUSH
CAP SET PSM#522	UTILITY POLE	TRANSFORMER	PINE TREE
NAIL AND DISK SET PSM#522	LIGHT POLE	FIRE HYDRANT	TREE (UNKNOWN)
CONCRETE MONUMENT FOUND	GUY WIRE	ELEC. METER	OAK TREE
IRON ROD & CAP FOUND	MANHOLE	CLEANOUT	PALM TREE
IRON ROD FOUND	VALVE	FIRE HYDRANT	CEDAR TREE
IRON PIPE FOUND	FIRE HYDRANT	SIGN	AUSTRALIAN PINE
NAIL & DISK FOUND	WATER METER	PULL BOX	MAPLE PINE
TEMP. BENCH MARK	PHONE RISER	BACKFLOW	

**SPECIFIC PURPOSE SURVEY  
 RIGHT-OF-WAY MAP  
 BEE RIDGE ROAD  
 (1-75 L/A R/W TO IONA ROAD)**

PROJ. NO.: 11051  
 SEC. 31, 32 & 33, TWP. 36 S., RNG. 19 E.  
 SEC. 4, 5 & 6, TWP. 37 S., RNG. 19 E.  
 FIELD BOOK 513, PG. 71  
 I:\SURVEY\BEERIDG\11051.DWG

DWG DATE: 5-23-11  
 FIELD DATE: 8-5-11  
 DRAWN BY: T.S.O.  
 CHECKED BY: E.JR/MP

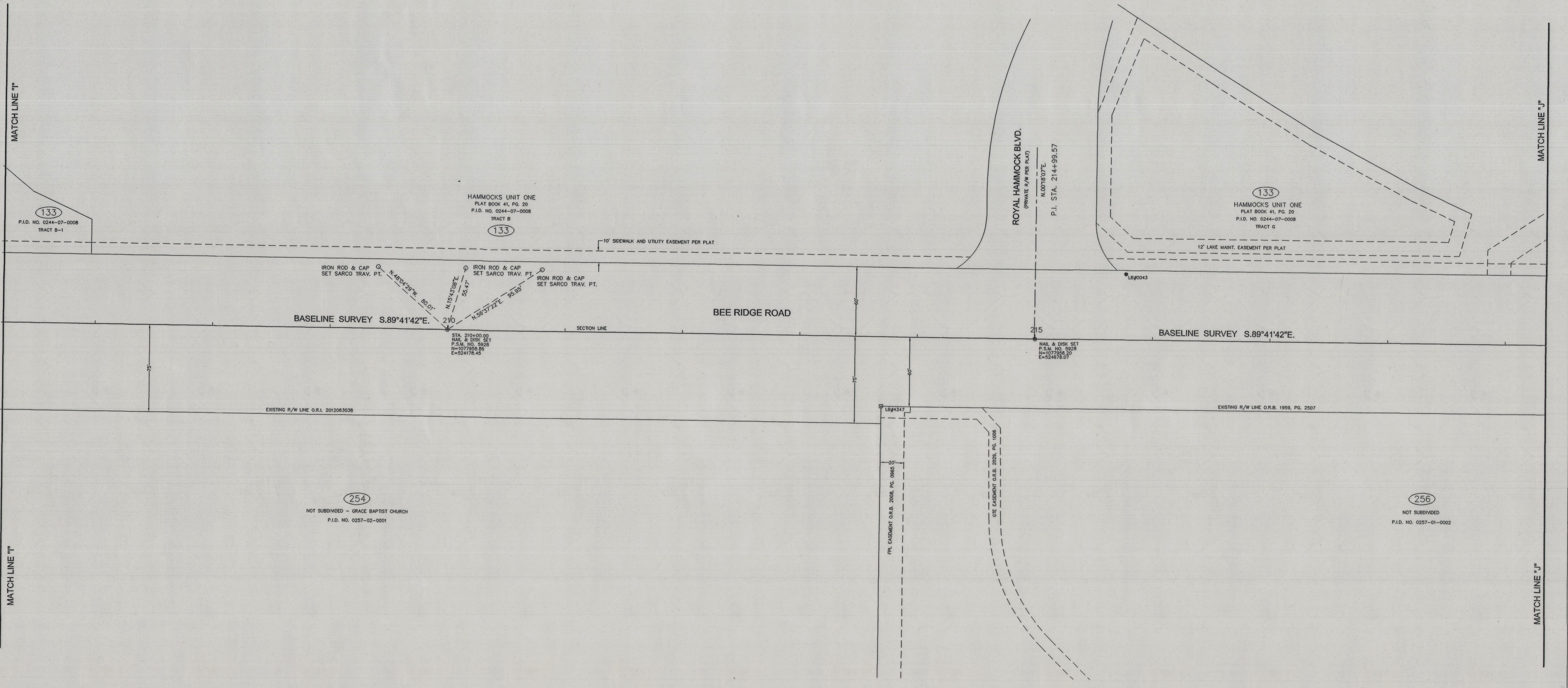
SHEET NO.  
 9  
 of  
 12



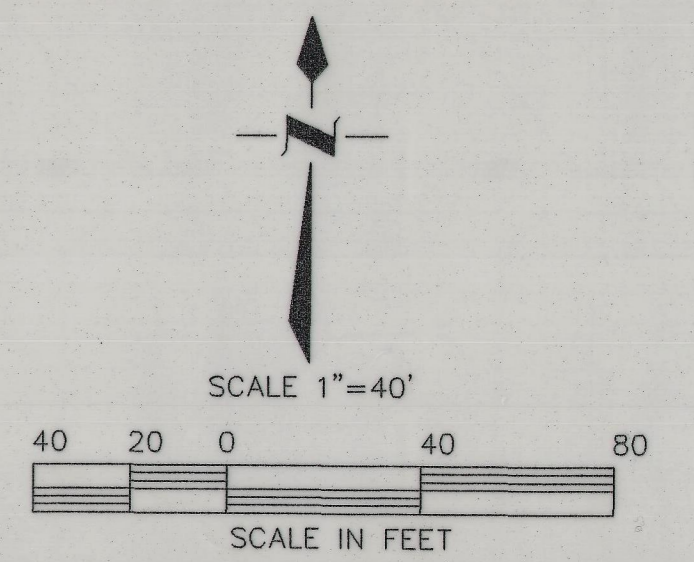
**SARASOTA COUNTY SURVEY-MAPPING**  
 GENERAL SERVICES, REAL ESTATE SERVICES  
 1001 SARASOTA CENTER BOULEVARD SARASOTA, FLORIDA 34240  
 941/861-6709 • 941/861-6053

ABBREVIATION		LEGEND	
P.P. = POWER POLE	P.B. = PLAT BOOK	P.I.D. = PROPERTY IDENTIFICATION NO.	N&D = NAIL AND DISK
CONC. = CONCRETE	MON. = MONUMENT	R.C.P. = REINFORCED CONCRETE PIPE	IR. = IRON PIPE
R/W = RIGHT-OF-WAY	FND. = FOUND	C.M.P. = CORRUGATED METAL PIPE	IR. = IRON ROD
(P) = PLAT	(M) = MEASURED	T.O.S. = TOE OF SLOPE	E.P. = EDGE OF PAVEMENT
P.S. = PAGE	R.P.B. = ROAD PLAT BOOK	T.O.B. = TOP OF BANK	D.S. = DRIVE
O.R.B. = OFFICIAL RECORDS BOOK		U/G. = UNDERGROUND	IR. = IRON ROD FOUND
		DR. = DRAINAGE	IR. = IRON PIPE FOUND
		F.P.L. = FLORIDA POWER & LIGHT	N&D = NAIL & DISK FOUND
		VER. = VERIDON	EASE. = EASEMENT
		CATV = CABLE TELEVISION	R. = RADIUS
			IR. & ALUMINUM R/W MARKER
			CAP SET PSM#5928
			NAIL AND DISK SET PSM#5928
			CONCRETE MONUMENT FOUND
			IRON ROD & CAP FOUND
			IRON ROD FOUND
			IRON PIPE FOUND
			TEMP. BENCH MARK
			PHONE RISER
			STREET LITE
			UTILITY POLE
			LIGHT POLE
			CUT WIRE
			MANHOLE
			CLEANOUT
			VALVE
			FIRE HYDRANT
			WATER METER
			SERVICE BOX
			YARD LITE
			TRANSFORMER
			FIRE HYDRANT
			ELEC. METER
			CLEANOUT
			SIGN
			PULL BOX
			BACKFLOW
			BUSH
			PINE TREE
			TREE (UNKNOWN)
			OAK TREE
			PALM TREE
			CEDAR TREE
			AUSTRALIAN PINE
			MAPLE PINE

<b>SPECIFIC PURPOSE SURVEY                  RIGHT-OF-WAY MAP                  BEE RIDGE ROAD                  (I-75 L/A R/W TO IONA ROAD)</b>	PROJ. NO.: 11051	DWG DATE: 5-23-11	SHEET NO. 10 of 12
	SEC. 31, 32 & 33, TWP. 36 S., RNG. 19 E. SEC. 4, 5 & 6, TWP. 37 S., RNG. 19 E.	FIELD DATE: 8-5-11	
	FIELD BOOK 513, PG. 71	DRAWN BY: T.S.O.	
	I:\SURVEY\BEERIDG\11051.DWG	CHECKED BY: EJR/WP	



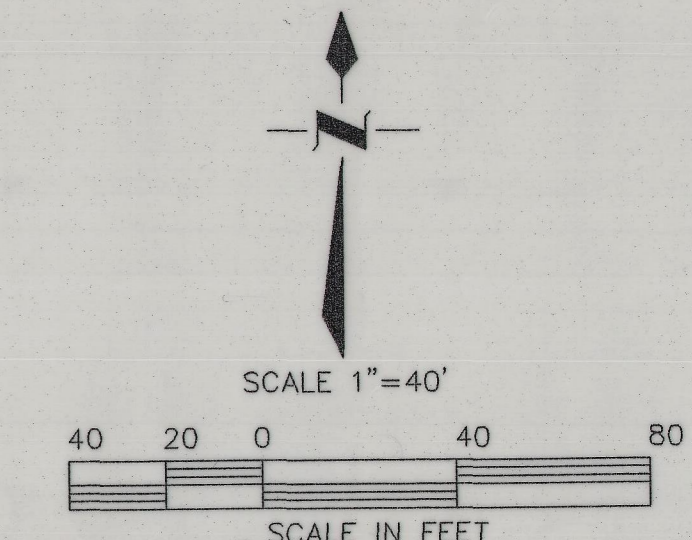
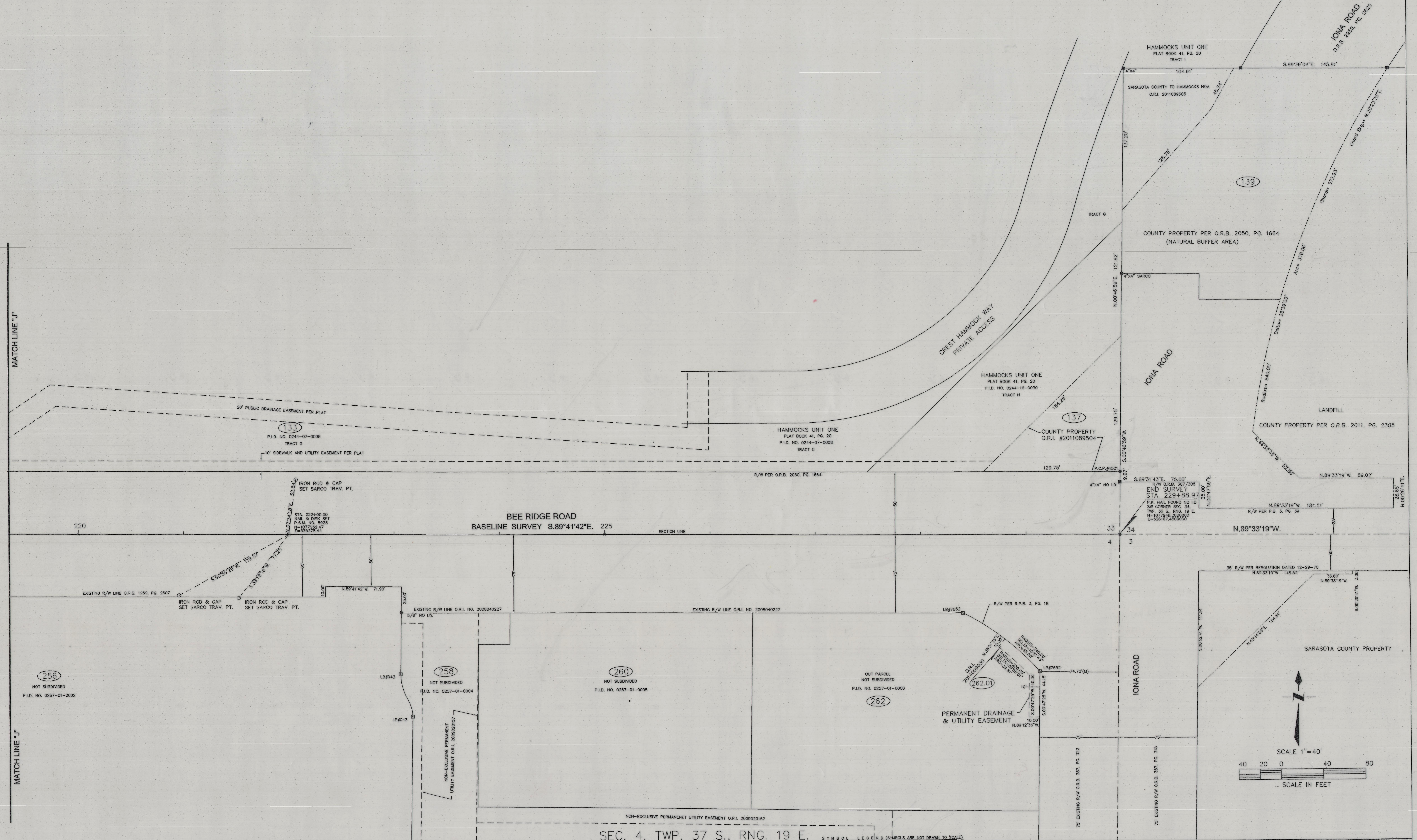
SEC. 4, TWP. 37 S., RNG. 19 E.



**SARASOTA COUNTY**  
**SARASOTA COUNTY SURVEY-MAPPING**  
 GENERAL SERVICES, REAL ESTATE SERVICES  
 1001 SARASOTA CENTER BOULEVARD SARASOTA, FLORIDA 34240  
 941/861-6709 \* 941/861-6053

ABBREVIATION LEGEND		SYMBOL LEGEND (SYMBOLS ARE NOT DRAWN TO SCALE)	
P.P. = POWER POLE	P.I.D. = PROPERTY IDENTIFICATION NUMBER	IR & ALUMINUM R/W MARKER	STREET LITE
P.B. = PLAT BOOK	NO. = NUMBER	CAP SET PSM#5928	UTILITY POLE
CONC. = CONCRETE	R.C.P. = REINFORCED CONCRETE PIPE	IR & DISK SET PSM#5928	LIGHT POLE
MON. = MONUMENT	C.M.P. = CORRUGATED METAL PIPE	CONCRETE MONUMENT FOUND	GUY WIRE
R/W = RIGHT-OF-WAY	I.O.S. = TOE OF SLOPE	IRON ROD & CAP FOUND	MANHOLE
IND. = FOUND	T.O.S. = TOP OF BANK	IRON ROD FOUND	VALVE
OT = PLAT	O.T. = OPEN THROAT	IRON PIPE FOUND	CLEANOUT
(M) = MEASURED	FPL = FLORIDA POWER & LIGHT	NAIL & DISK FOUND	FIRE HYDRANT
PC = PAGE	VER. = VERIZON	TEMP. SENSOR MARK	WATER METER
R.P.B. = ROAD PLAT BOOK	CATV = CABLE TELEVISION	PHONE RISER	PULL BOX
O.R.B. = OFFICIAL RECORDS BOOK			BACKFLOW
			YARD LITE
			TRANSFORMER
			FIRE HYDRANT
			ELEC. METER
			BUSH
			PINE TREE
			TREE (UNKNOWN)
			OAK TREE
			PALM TREE
			CEDAR TREE
			AUSTRALIAN PINE
			MAPLE PINE

<b>SPECIFIC PURPOSE SURVEY</b> <b>RIGHT-OF-WAY MAP</b> <b>BEE RIDGE ROAD</b> (1-75 L/A R/W TO IONA ROAD)	PROJ. NO.: 11051	DWG. DATE: 5-23-11	SHEET NO. 11
	SEC. 31, 32 & 33, TWP. 36 S., RNG. 19 E.	FIELD DATE: 8-5-11	of 12
	SEC. 4, 5 & 6, TWP. 37 S., RNG. 19 E.	DRAWN BY: T.S.O.	
	FIELD BOOK 513, PG. 71	CHECKED BY: EJR/WP	



SEC. 4, TWP. 37 S., RNG. 19 E.



**SARASOTA COUNTY SURVEY-MAPPING**  
 GENERAL SERVICES, REAL ESTATE SERVICES  
 1001 SARASOTA CENTER BOULEVARD SARASOTA, FLORIDA 34240  
 941/861-6709 \* 941/861-6053

ABBREVIATION		LEGEND	
P.P. = POWER POLE	P.I.D. = PROPERTY IDENTIFICATION NUMBER	NAD = NAIL AND DISK	□ = IRON ROD FOUND
P.B. = PLAT BOOK	NO. = NUMBER	IP. = IRON PIPE	○ = IRON PIPE FOUND
CONC. = CONCRETE	R.C.P. = REINFORCED CONCRETE PIPE	IR. = IRON ROD	○ = IRON PIPE FOUND
MON. = MONUMENT	C.M.P. = CORRUGATED METAL PIPE	E.P. = EDGE OF PAVEMENT	○ = IRON PIPE FOUND
R/W = RIGHT-OF-WAY	T.O.S. = TOP OF SLOPE	DR. = DRIVE	○ = IRON PIPE FOUND
FIN. = FOUND	T.O.B. = TOP OF BANK	U/G = UNDERGROUND	○ = IRON PIPE FOUND
PL. = PLAT	O.T. = OPEN TROUGH	DRINK = DRAINAGE	○ = IRON PIPE FOUND
(M) = MEASURED	FPL = FLORIDA POWER & LIGHT	B.O.C. = BACK OF CURB	○ = IRON PIPE FOUND
SC. = FACE	VER. = VENTILATION	EASE. = EASEMENT	○ = IRON PIPE FOUND
R.P.B. = ROAD PLAT BOOK	CATV = CABLE TELEVISION	R = RADIUS	○ = IRON PIPE FOUND
O.R.B. = OFFICIAL RECORDS BOOK			○ = IRON PIPE FOUND

<b>SPECIFIC PURPOSE SURVEY RIGHT-OF-WAY MAP</b>		PROJ. NO.: 11051	DWG DATE: 5-23-11	SHEET NO. 12 OF 12
<b>BEE RIDGE ROAD (1-75 L/A R/W TO IONA ROAD)</b>		SEC. 31, 32 & 33, TWP. 36 S., RNG. 19 E.	FIELD DATE: 8-5-11	
		SEC. 4, 5 & 6, TWP. 37 S., RNG. 19 E.	DRAWN BY: T.S.O.	
		FIELD BOOK 513, PG. 71	CHECKED BY: EJR/WP	
		I:\SURVEY\BEERIDG\11051.DWG		