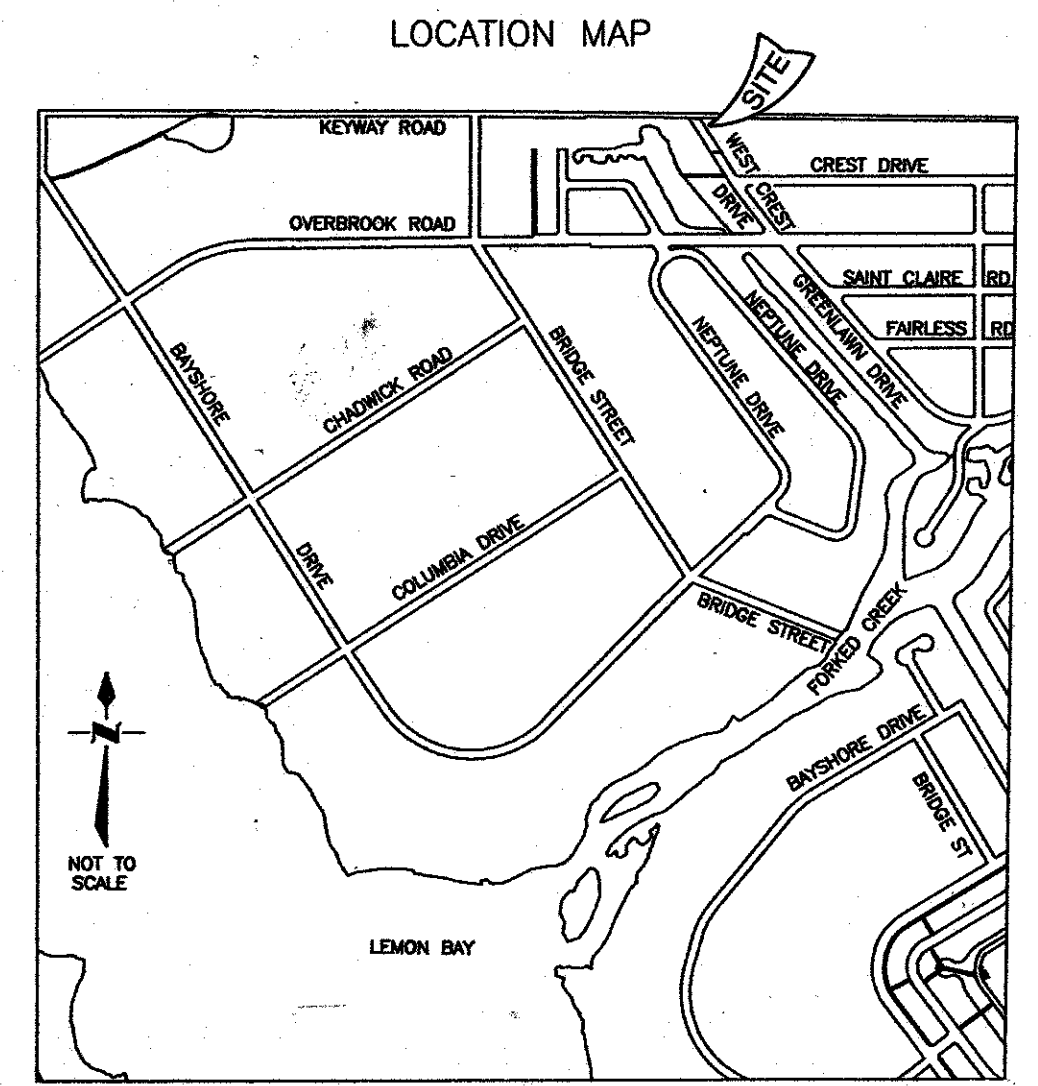


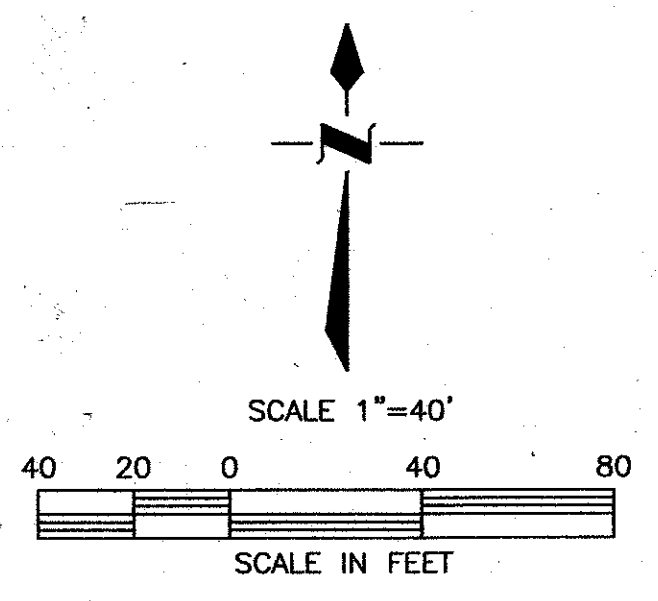
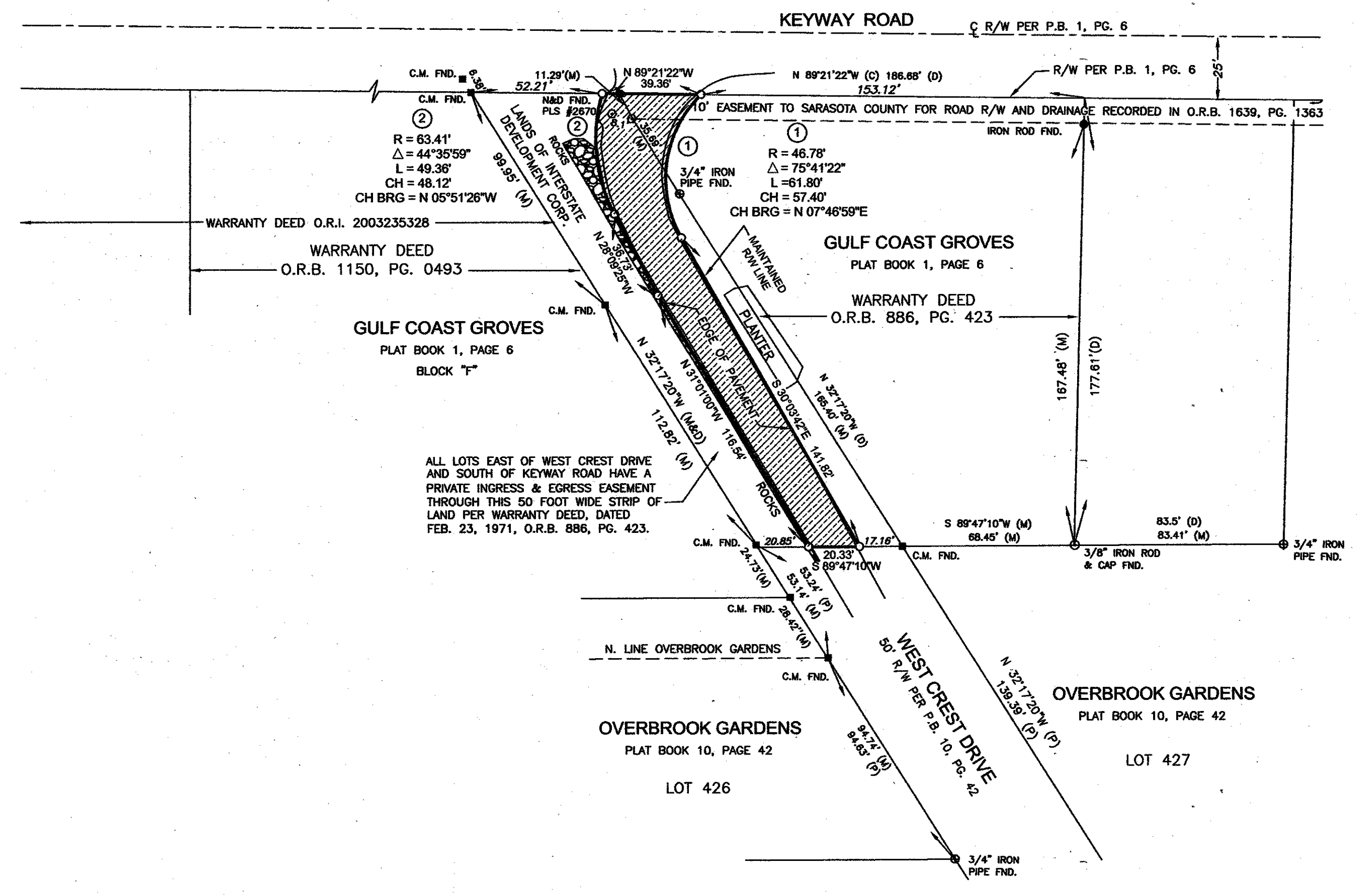
WEST CREST DRIVE (KEYWAY ROAD TO OVERBROOK GARDENS SUBDIVISION)

FILED FOR RECORD
2006 MAY -1 AM 10:24
KAREN L. RUSHING
CLERK OF CIRCUIT COURT
SARASOTA COUNTY, FL

SECTION 15, TOWNSHIP 40 SOUTH, RANGE 19 EAST



SECTION 15, TOWNSHIP 40 SOUTH, RANGE 19 EAST



[Signature]
LIN KURANT
REAL PROPERTY OFFICE

SURVEYOR'S NOTES

1. BEARINGS SHOWN HEREON ARE BASED ON THE EAST RIGHT-OF-WAY LINE OF WEST CREST DRIVE, ACCORDING TO THE PLAT OF OVERBROOK GARDENS SECTION 4, RECORDED IN PLAT BOOK 10, PAGE 42 OF THE PUBLIC RECORDS OF SARASOTA COUNTY, FLORIDA, BEARING BEING N 32°17'20"W
2. THIS MAP WAS PREPARED WITHOUT THE BENEFIT OF AN ABSTRACT OF TITLE OR AN ATTORNEY'S OPINION OF TITLE, THEREOF, ANY DEED OVERLAP OR HIATUS OR ANY RECORDED OR UNRECORDED RIGHTS-OF-WAY AND OR EASEMENTS MAY NOT BE SHOWN.
3. ALL UNDERGROUND FACILITIES NOT LOCATED.
4. A CHANGE OR JOG ON THE MAINTAINED RIGHT-OF-WAY LINE IS NOT NECESSARILY LOCATED AT AN INTERSECTING PROPERTY LINE.

THIS IS TO CERTIFY THAT THE NUMBERED SHEET ONE (1) OF ONE (1) CONSTITUTES THE OFFICIAL MAINTENANCE MAP SHOWING THE LOCATION AND SURVEY BY THE SARASOTA COUNTY, FLORIDA SURVEY-MAPPING DEPARTMENT FOR WEST CREST DRIVE LYING BETWEEN KEYWAY ROAD AND OVERBROOK GARDENS RECORDED IN PLAT BOOK 10, PAGE 42 OF THE PUBLIC RECORDS OF SARASOTA COUNTY, FLORIDA, BEING IN SECTION 15, TOWNSHIP 40 SOUTH, RANGE 19 EAST, SARASOTA COUNTY, FLORIDA PURSUANT TO THE PROVISIONS OF CHAPTER 95.361, FLORIDA STATUTES 2005.

FILED FOR RECORD IN ROAD PLAT BOOK 4 AT PAGE 50
OF THE PUBLIC RECORDS OF SARASOTA COUNTY, FLORIDA, THIS 1st
DAY OF MAY, A.D., 2006.



KAREN E. RUSHING
CLERK OF THE CIRCUIT COURT
SARASOTA COUNTY, FLORIDA
BY: *[Signature]*
CLERK

THIS IS TO CERTIFY THAT THIS MAINTAINED MAP WAS APPROVED BY RESOLUTION NO. 2006-014 PASSED AND ADOPTED BY THE BOARD OF COUNTY COMMISSIONERS OF SARASOTA COUNTY, FLORIDA ON THE 11th DAY OF April, A.D., 2006.

[Signature]
CHAIRMAN

ATTEST
KAREN E. RUSHING, CLERK OF THE CIRCUIT COURT AND EX-OFFICIO CLERK OF THE BOARD OF COUNTY COMMISSIONERS OF SARASOTA COUNTY, FLORIDA BY: *[Signature]*
DEPUTY CLERK

THIS IS TO CERTIFY THAT THE LIMITS OF THE ROADWAY OUTSIDE OF PLATTED RIGHT-OF-WAY AS SHOWN CROSS-HATCHED HEREON, HAS BEEN MAINTAINED CONTINUOUSLY FOR OVER FOUR (4) YEARS WITHOUT INTERRUPTION.

[Signature] 03/03/06
BEN NEWMAN, P.E.
ROAD AND BRIDGE OPERATIONS MANAGER

SARASOTA COUNTY SURVEY-MAPPING
PLANNING & DEVELOPMENT SERVICES BUSINESS CENTER
1301 CATTLEMEN ROAD BLDG. "E" SARASOTA, FLORIDA 34232
941/861-8802 • 941/861-8865 • FAX 941/861-6157

I HEREBY CERTIFY THAT THIS MAINTAINED RIGHT-OF-WAY MAP REPRESENTS A SURVEY OF THE ROAD ALIGNMENT AS SHOWN HEREON, THAT THE SURVEY WAS RECENTLY PERFORMED IN ACCORDANCE WITH THE FLORIDA STANDARDS AS SET FORTH BY THE FLORIDA BOARD OF PROFESSIONAL SURVEYORS IN CHAPTER 61G17, FLORIDA ADMINISTRATIVE CODE PURSUANT TO SECTION 476.022, FLORIDA STATUTES.

[Signature] 3-27-06
GAYLE FOSNESS, Professional Surveyor and Mapper, No. 4149

ABBREVIATION		LEGEND	
P.B. = PLAT BOOK	P.L.D. = PROPERTY IDENTIFICATION NO. = NUMBER	M&D = MAIL AND DISK	U.P. = UTILITY POLE
CONC. = CONCRETE	R.C.P. = REINFORCED CONCRETE PIPE	IRP = IRON PIPE	W = VALVE
MON. = MONUMENT	C.M.P. = CORRUGATED METAL PIPE	IRRF = IRON ROD FOUND	F.H. = FIRE HYDRANT
R/W = RIGHT-OF-WAY	CH = CHORD	IRPF = IRON PIPE FOUND	G.W. = GUY WIRE
FD. = FOUND	CH BRG = CHORD BEARING	DR = DRIVE	M = METER
(P) = PLAT	Δ = DELTA	U/G = UNDERGROUND	S.B. = SERVICE BOX
(M) = MEASURED	PS = PINE	DRINK = DRAIN	CB = CONTROL BOX
PS = PINE	R.P.B. = ROAD PLAT BOOK	TRM = TEMPORARY	TR = TRANSFORMER
R.P.B. = ROAD PLAT BOOK	VER. = VERDON	TSF = TEMPORARY	IRRF & M/R/W CAP SET PLS #4149
O.R.B. = OFFICIAL RECORDS BOOK	CATV = CABLE TELEVISION	EASE = EASEMENT	
		RM = RAILROAD SPIKE FOUND	
		BM = BENCH MARK FOUND	

SYMBOL		LEGEND	
■	CONCRETE MONUMENT FOUND	○	PINE TREE
○	IRON ROD & CAP FOUND	○	OAK TREE
○	IRON PIPE FOUND	○	TREE
○	IRON PIPE FOUND	○	PALM TREE
○	MAIL & DISK FOUND		
○	CHESD. CUT FOUND		
○	RAILROAD SPIKE FOUND		
○	BENCH MARK FOUND		

MAINTAINED RIGHT-OF-WAY MAP WEST CREST DRIVE

PROJ. NO.: 04056	DWG DATE: 6-3-04	SHEET NO. 1 of 1
SEC: 15 TWP: 40 S. RGE: 19 E.	FIELD DATE: 6-2-04	
F.B. 488, PG. 29	DRAWN BY: T.S.O.	
DWG I:\SURVEY\WCRESTDR\WCRESTDR.DWG	CHECKED BY: W.P.	

B.C.C. RESO. 2006-074 O.R.I.# 2006074259