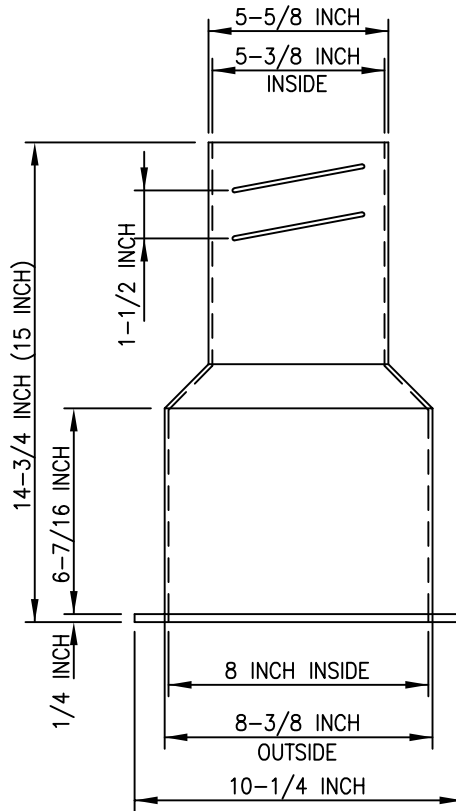


TOP
WT.- 27 LBS.



BOTTOM
WT.- 20 LBS.

NOTES:

1. MATERIAL TO BE CAST IRON.
2. ADJUSTABLE SCREW TYPE VALVE BOX PER SIGMA CORPORATION DRAWING VB-2503 OR APPROVED EQUIV.

N.T.S.

RECLAIM_DWG_NO-1.DWG 03/2020