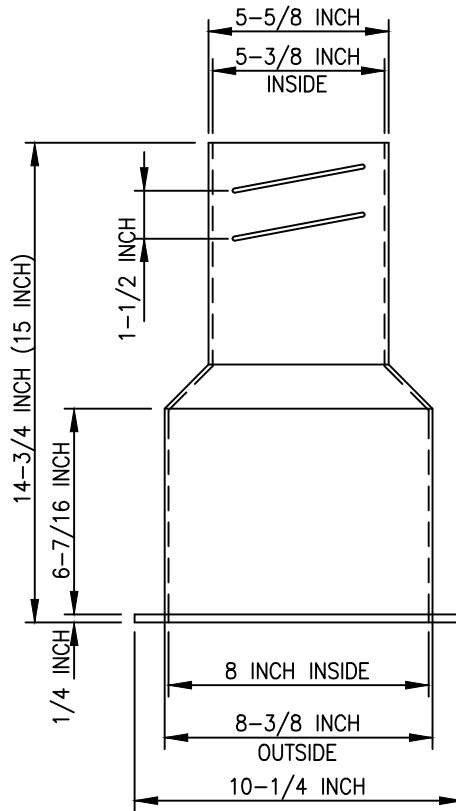


TOP  
WT. - 27 LBS.



BOTTOM  
WT. - 20 LBS.

NOTES:

1. MATERIAL TO BE CAST IRON.
2. ADJUSTABLE SCREW TYPE VALVE BOX PER SIGMA CORPORATION DRAWING VB-2503 OR APPROVED EQUIV.

N.T.S.