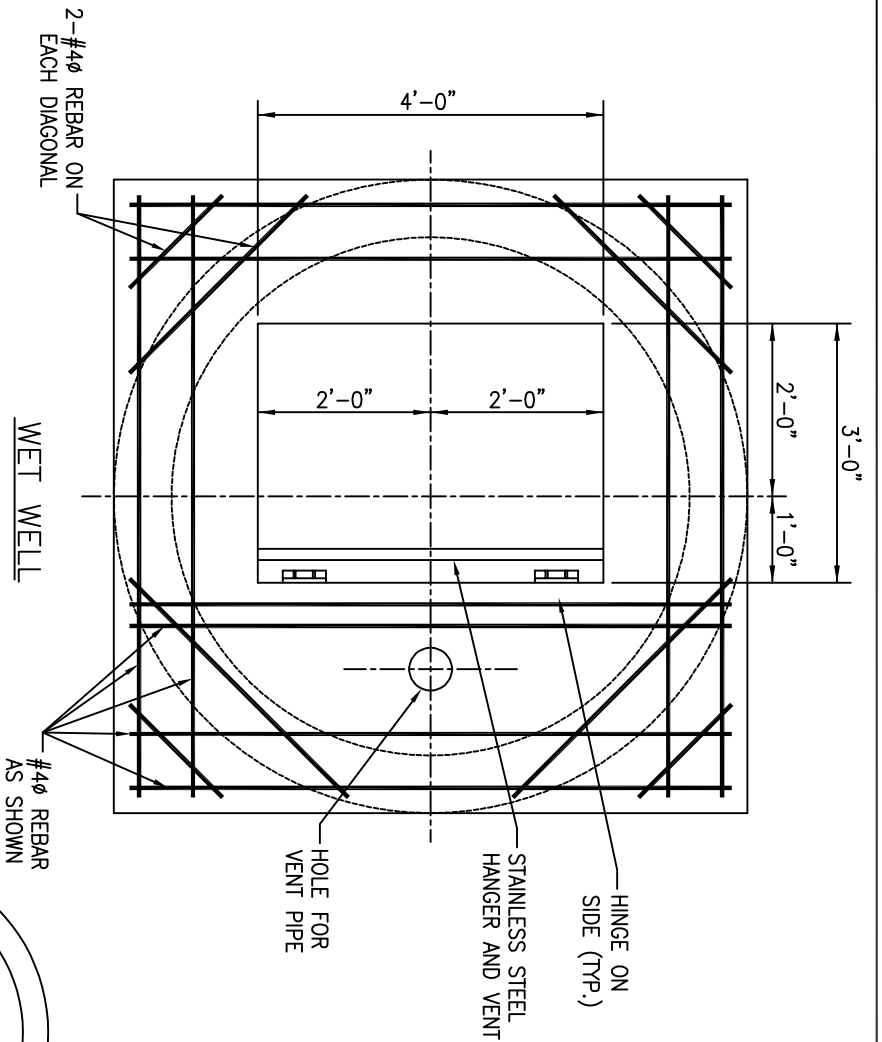


1. ALL STEEL 3 INCH CLEAR OF ANY EXPOSED SURFACE.
2. 1 INCH CHAMFER ON ALL EXPOSED EDGES.
3. HATCH COVER TO BE CENTERED OVER THE PUMPS AS RECOMMENDED BY PUMP MANUFACTURER.
4. CONTRACTOR TO SET PUMPS AND ACCESS COVER TO ENSURE ACCURATE ALIGNMENT OF GUIDE RAILS AND TO ENSURE PUMP REMOVAL.
5. LIFT STATION WET WELL SHALL BE MANUFACTURED WITH AN APPROVED LINER (SEE ITEM 1 ON SEWER DWG NO. 14).

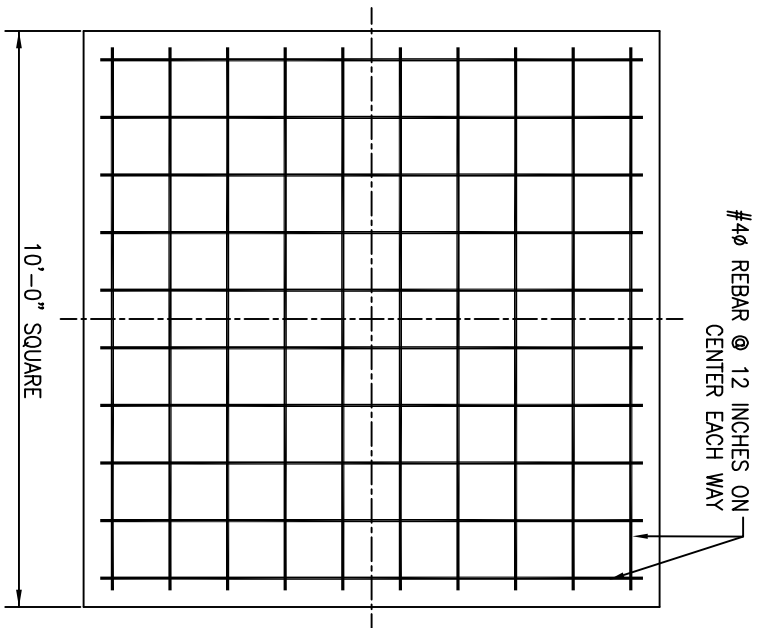
NOTES:

4 INCH HDPE EMERGENCY PUMP-OUT (FASTENED TO STRUCTURE WITH S.S. CLAMPS)

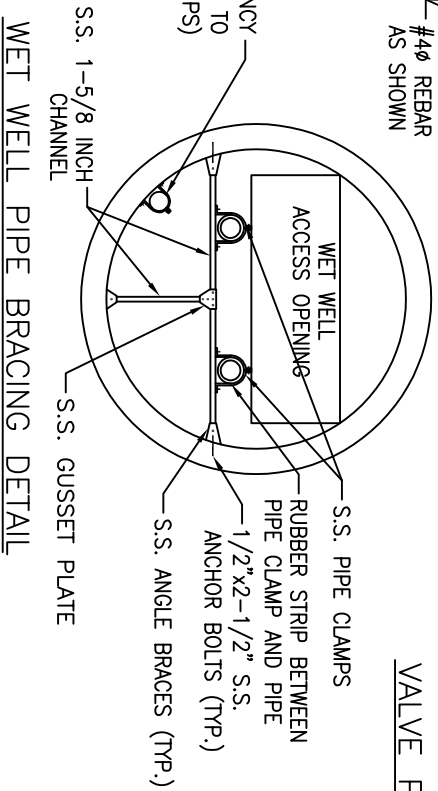


#4 REBAR AS SHOWN

VALVE PAD



#4 REBAR @ 12 INCHES ON CENTER EACH WAY



WET WELL ACCESS OPENING
 S.S. 1-5/8 INCH CHANNEL
 WET WELL PIPE BRACING DETAIL