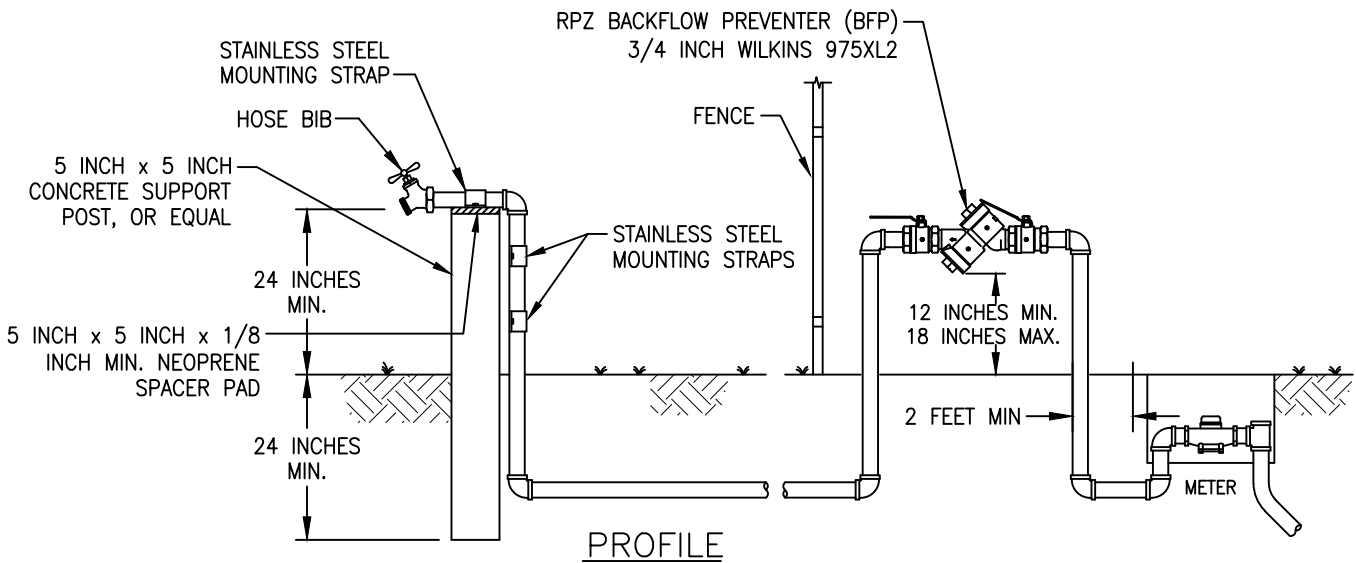


PLAN



PROFILE

NOTES:

1. REDUCED PRESSURE BACKFLOW PREVENTER (BFP) SHALL BE ON THE INSIDE OF THE FENCE.
2. NONE OF THE SERVICE LINE TO THE METER SHALL BE UNDER THE DRIVEWAY OR ANY OTHER OBSTRUCTION.
3. HOSE BIB SHALL EXTEND PAST SUPPORT POST. EXACT LOCATION OF HOSE BIB SHALL BE APPROVED BY UTILITY.
4. THE PANEL AND PIPING LOCATIONS ARE SUBJECT TO CHANGE IF CONDITIONS REQUIRE IT.

N.T.S.