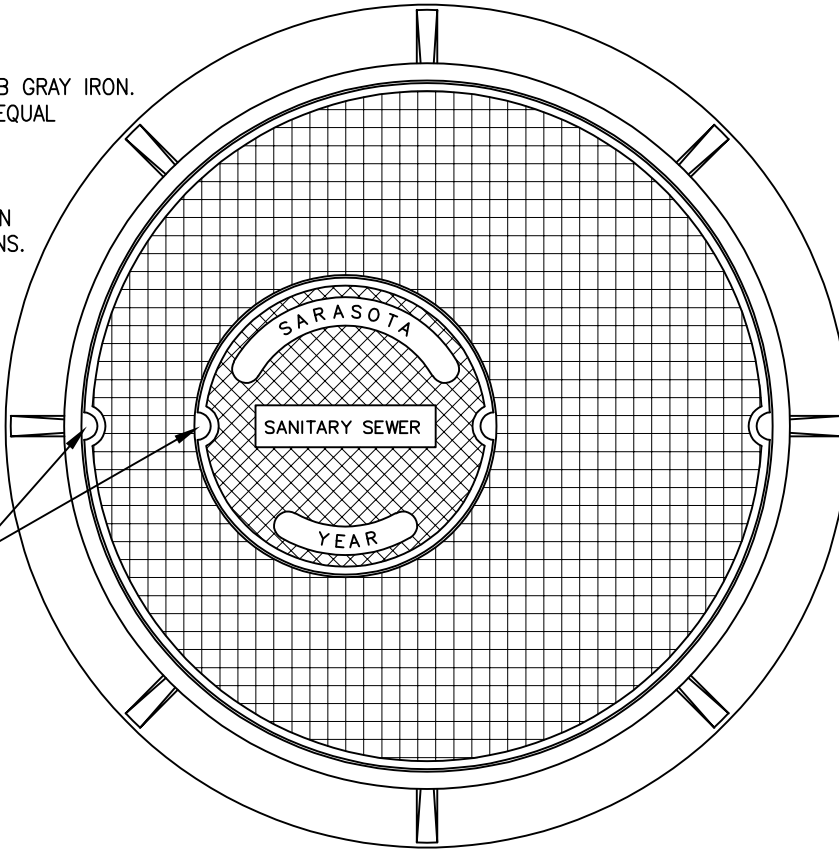
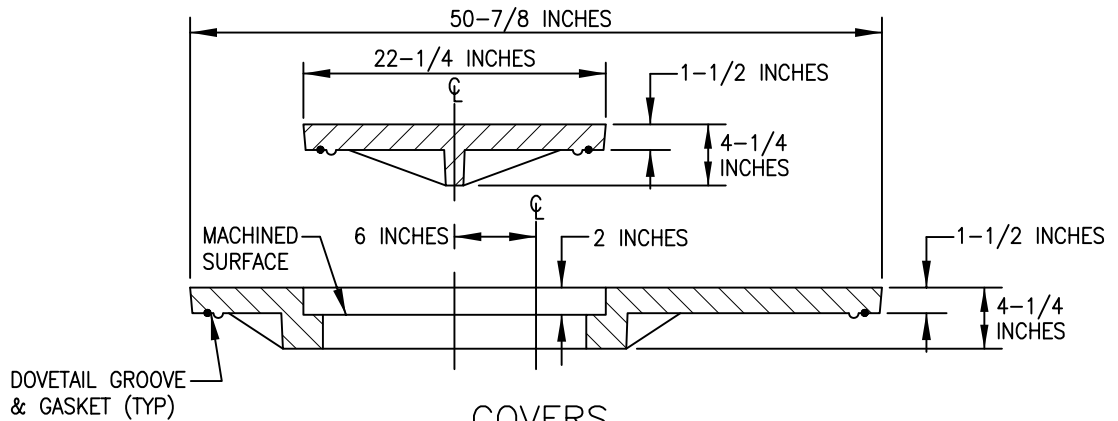


NOTES:

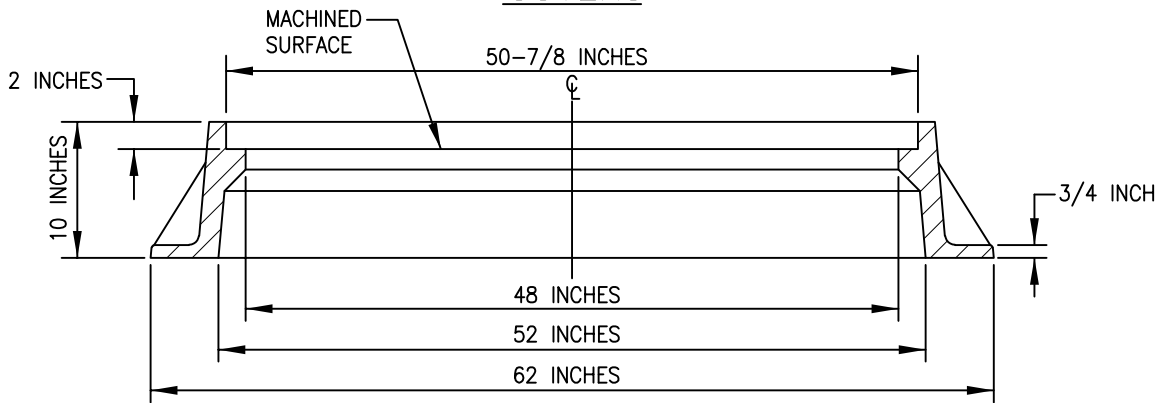
1. MATERIAL: ASTM-A48 CLASS 30B GRAY IRON.
2. U.S. FOUNDRY 690-AH-M OR EQUAL
3. INNER WT. 105 LBS. APPROX.
4. OUTER WT. 760 LBS. APPROX.
5. TOTAL WT. 1565 LBS. APPROX.
6. WHEN REQUIRED BY UTILITIES ON WASTEWATER TRANSMISSION MAINS.



4-NON PENETRATING PICKHOLES
(2 EACH COVER)



COVERS



FRAME

N.T.S.

SEWER_DWG_NO-20.DWG 03/2020