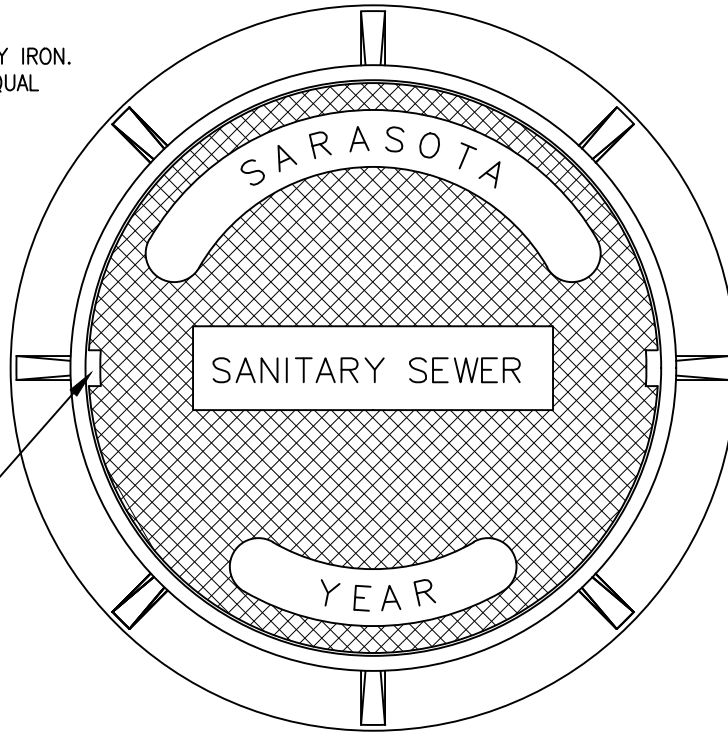
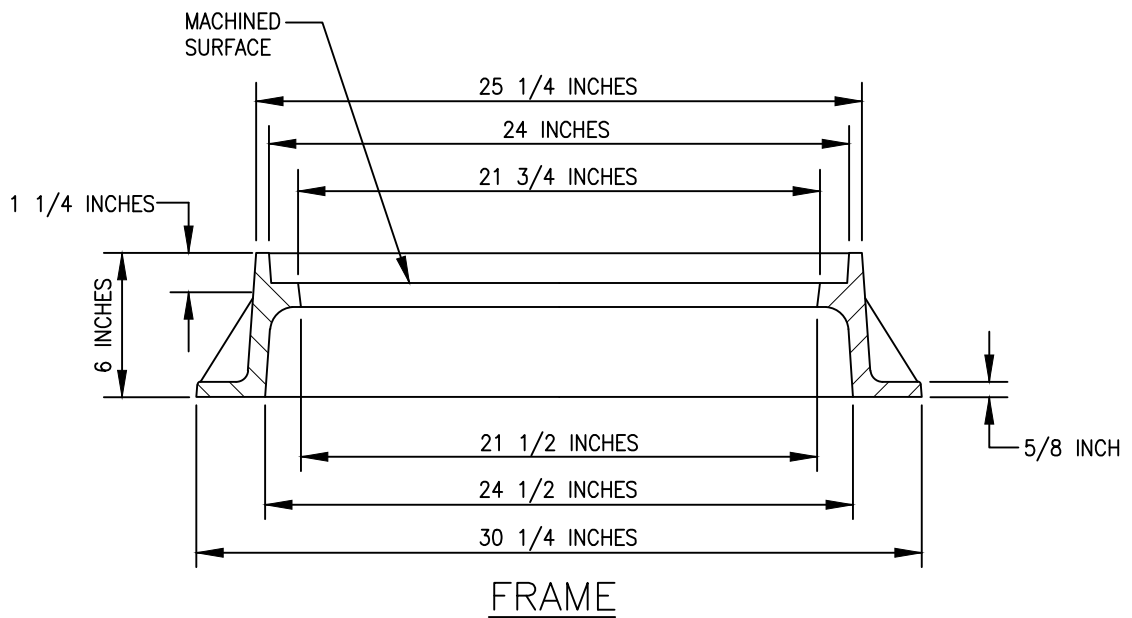
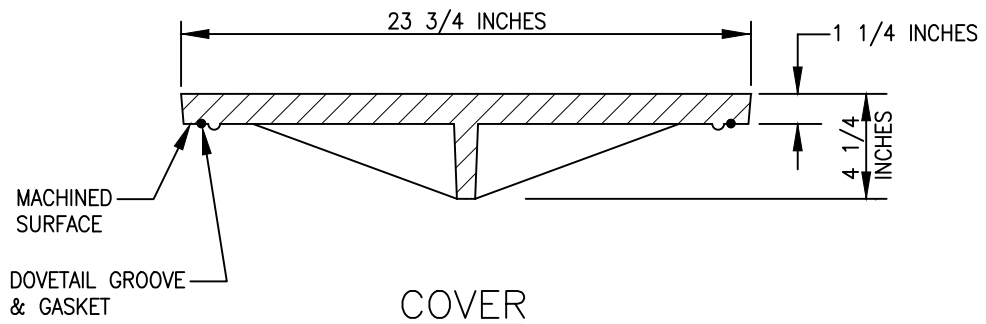


NOTES:

1. MATERIAL: ASTM-A48 CLASS 30B GRAY IRON.
2. U.S. FOUNDRY 170 CE-1 ORS OR EQUAL
3. COVER WT. 150 LBS. APPROX.
4. RING WT. 155 LBS. APPROX.



2-NON PENETRATING PICKHOLES



N.T.S.