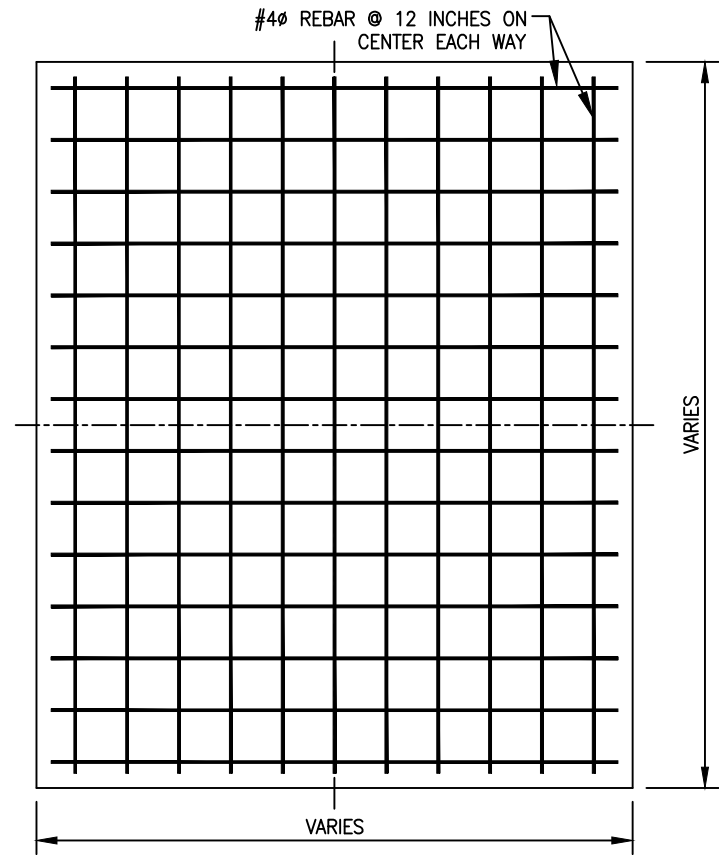


WET WELL TOP SLAB



VALVE AND METER ASSEMBLY PAD

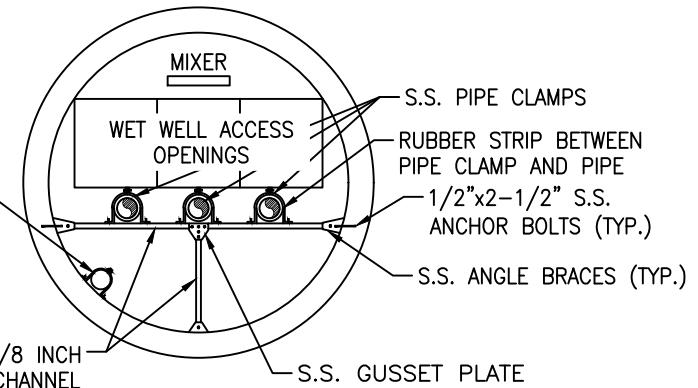
GENERAL NOTES:

1. ALL STEEL SHALL HAVE 3 INCH CLEARANCE OF ANY EXPOSED SURFACE.
2. 1 INCH CHAMFER ON ALL EXPOSED EDGES.

KEY NOTES:

1. SEE TRIPLEX DWG NO. 11 AND DWG NO. 12 FOR MIXER HATCH COVER AND TRIPLE ACCESS HATCH COVER MODEL NUMBERS AND DETAILS.

HDPE EMERGENCY PUMP-OUT (FASTENED TO STRUCTURE WITH S.S. CLAMPS)



WET WELL PIPE BRACING DETAIL

N.T.S.

TRIPLEX_DWG_NO.-10.DWG