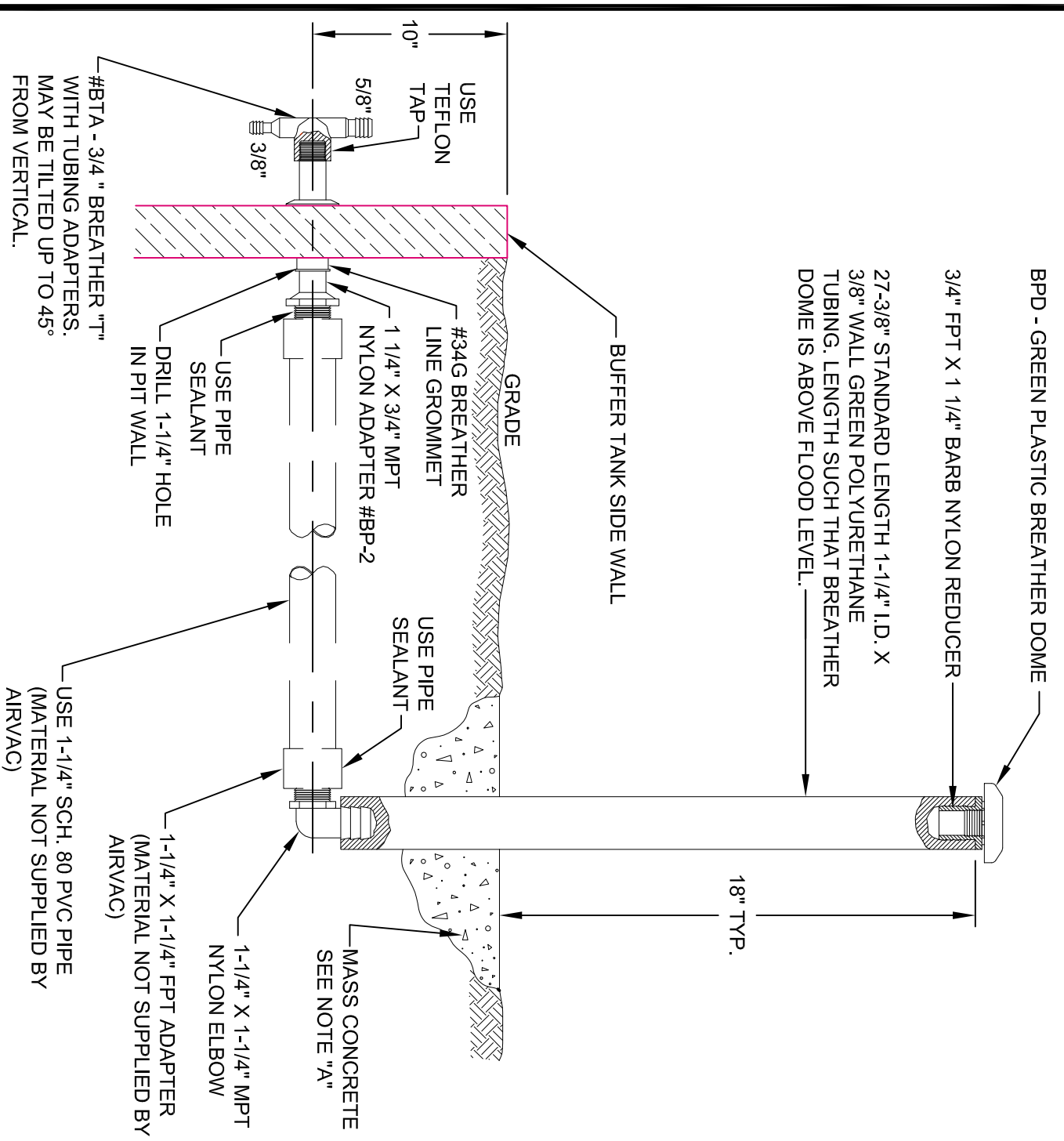


- NOTE:**  
 1. CAN BE PLACED NEXT TO A STATIONARY OBJECT, OUT OF TRAFFIC AREA OR NEXT TO A 4 X 4 WOOD POST IN PLACE OF CONCRETE.  
 2. A BLADE TYPE CUTTER SUCH AS RIGID NO. 138 PLASTIC PIPE CUTTER IS RECOMMENDED (NOT SUPPLIED BY AIRVAC).  
 3. AVOID CONNECTING BREATER PIPING DIRECTLY BEHIND AIRVAC VALVE



**FLEXIBLE BREATER PIPE ASSEMBLY**

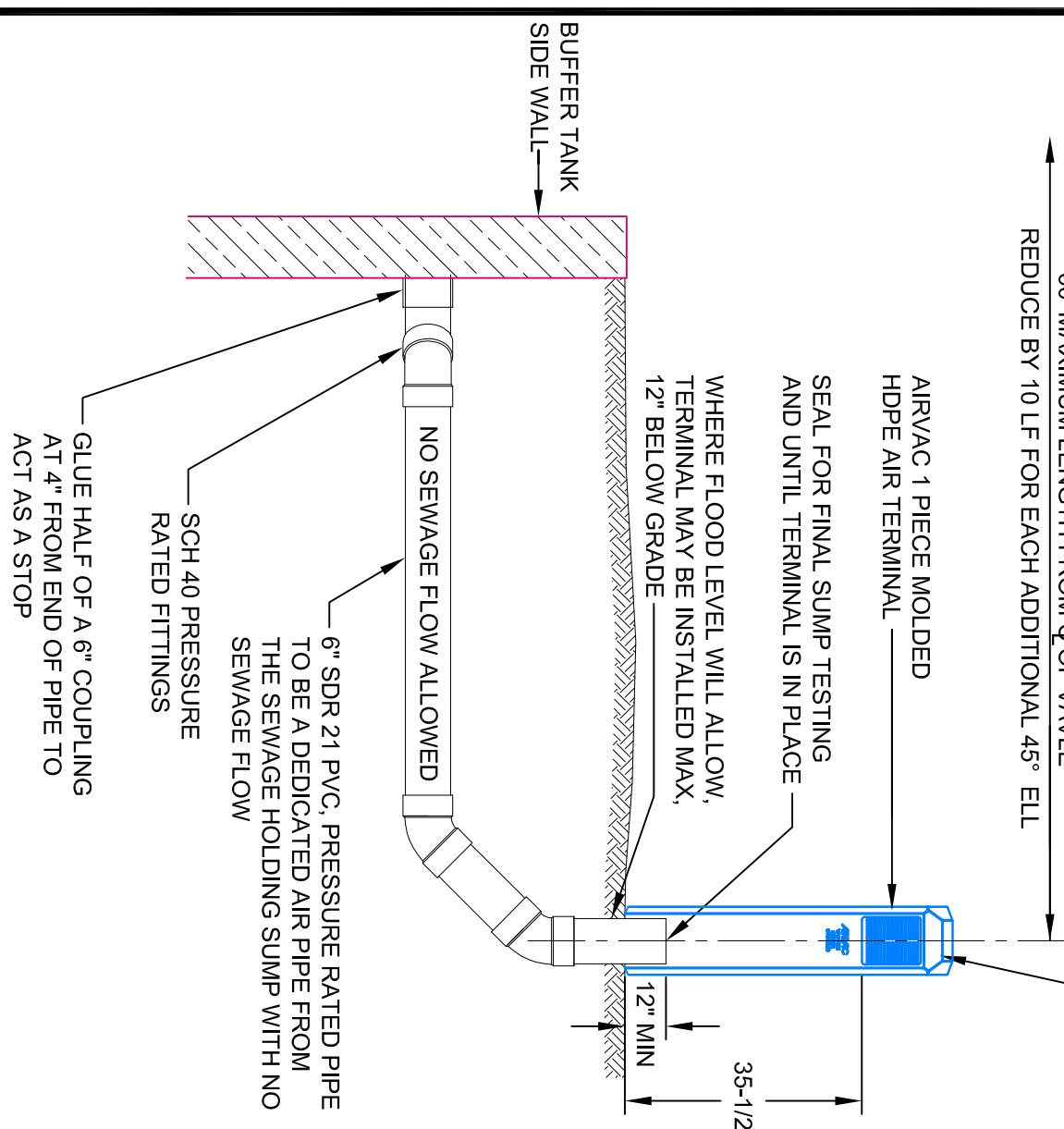
N.T.S.

STANDARD DETAIL NO. CBT-3



FEBRUARY 2008

**ENLARGED VIEW OF ACCESS DOOR** INCLUDES AIR INLET WITH SLOTTED AIR FLOW POSITION ABOVE HIGHEST FLOOD WATER LEVEL.



\* 20" MIN IN AREAS WITH A WINTER DESIGN (OR) BULB TEMPERATURE 32° F OR LOWER)

**6" DEDICATED AIR TERMINAL (MOLDED)**

N.T.S.

STANDARD DETAIL NO. CBT-4



FEBRUARY 2008

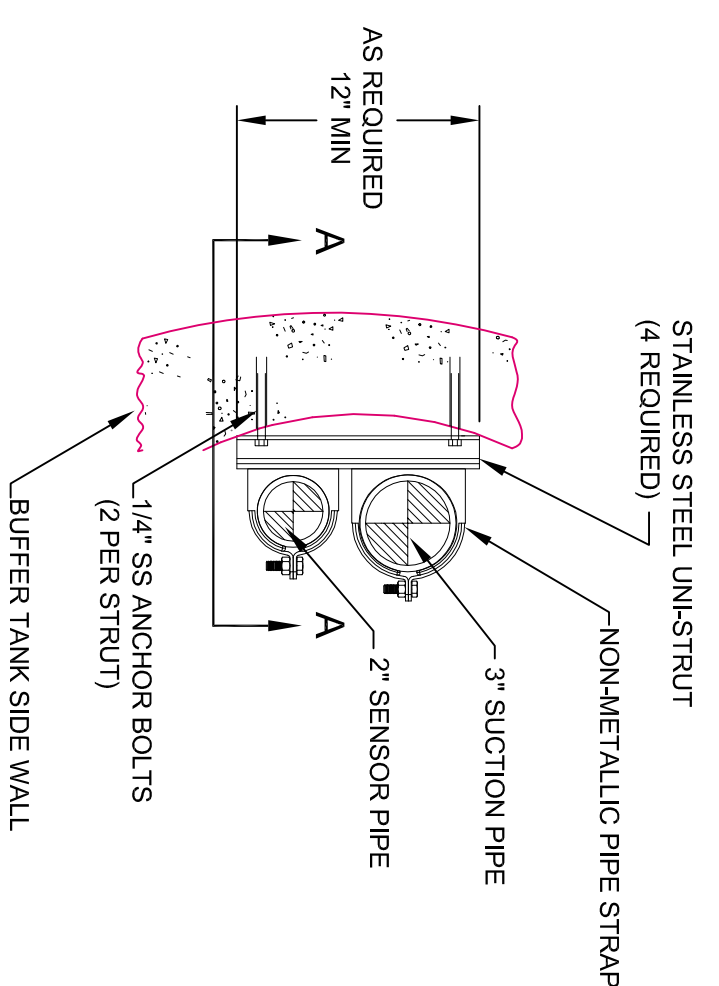
**FUTURE DETAIL**

N.T.S.

STANDARD DETAIL NO. CBT-5



FEBRUARY 2008



**PIPE ANCHORING DETAIL**

N.T.S.

STANDARD DETAIL NO. CBT-6



FEBRUARY 2008

**FUTURE DETAIL**

N.T.S.

STANDARD DETAIL NO. CBT-6



FEBRUARY 2008

IN CONSIDERATION OF THE RECEIPT OF THIS DOCUMENT, THE RECIPIENT AGREES NOT TO REPRODUCE, COPY, USE, OR TRANSMIT THIS DOCUMENT AND/OR THE INFORMATION THEREIN CONTAINED IN WHOLE OR IN PART, OR TO SUFFER SUCH ACTION BY OTHER, FOR ANY PURPOSE EXCEPT WITH THE WRITTEN PERMISSION OF AIRVAC, INC. AND FURTHER AGREES TO SURRENDER SAME TO AIRVAC, INC. UPON DEMAND.

NO.

REVISIONS

DATE

TITLE

SHEET NO.