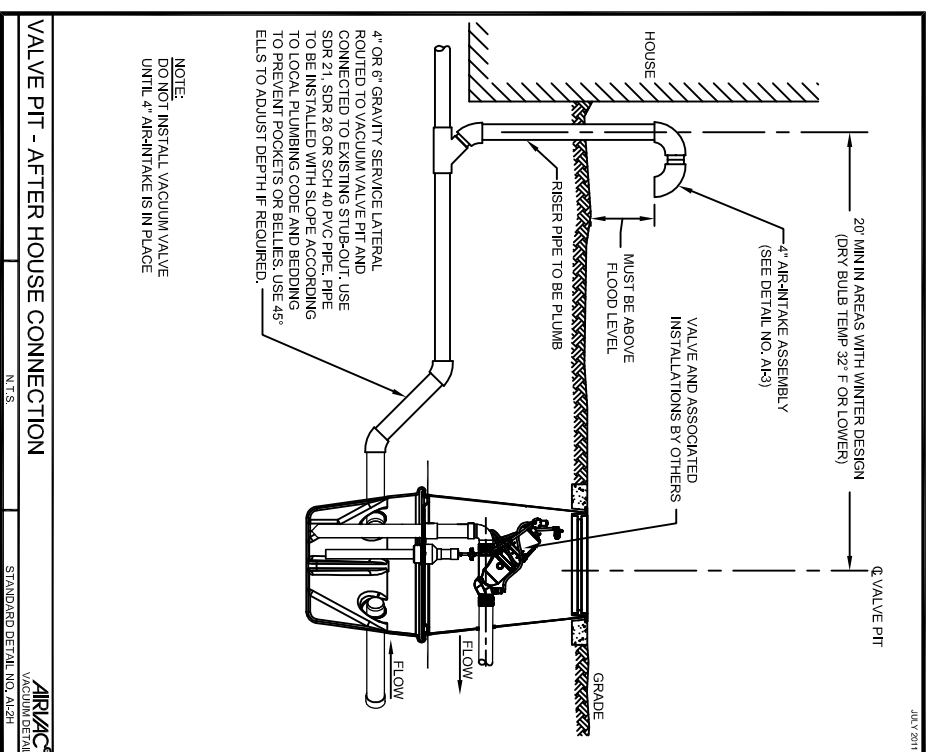


NOTE:  
DO NOT INSTALL AIR/VAC VALVE UNTIL  
4\"/>

VALVE PIT - PRIOR TO HOUSE CONNECTION

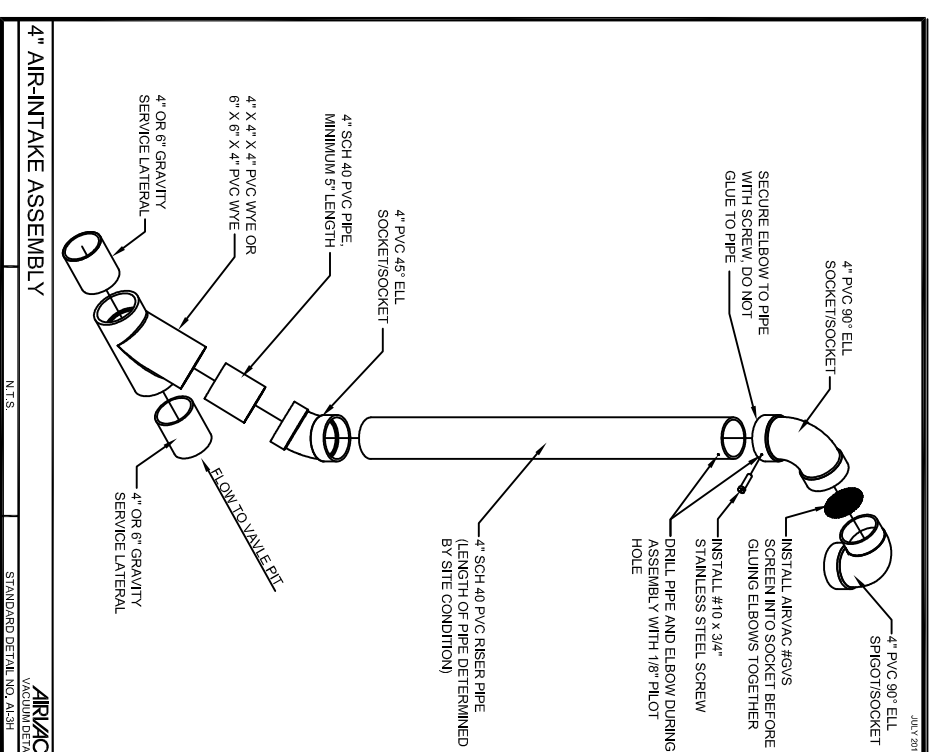
STANDARD DETAIL NO. AI-1H  
AIR/VAC VACUUM DETAIL  
N.T.S.



NOTE:  
DO NOT INSTALL VACUUM VALVE  
UNTIL 4\"/>

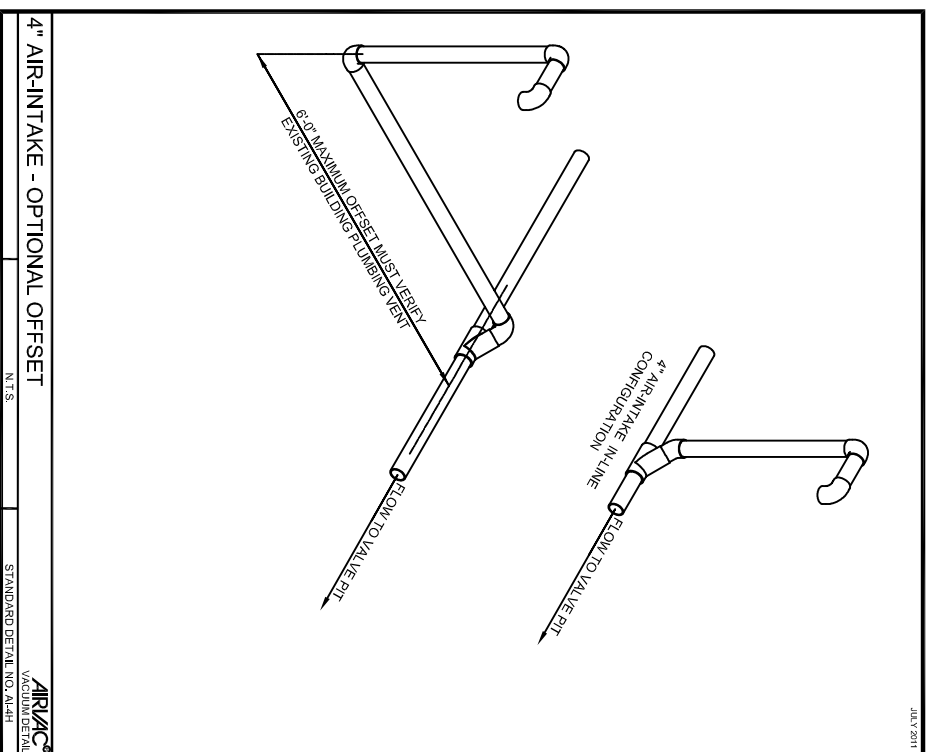
VALVE PIT - AFTER HOUSE CONNECTION

STANDARD DETAIL NO. AI-2H  
AIR/VAC VACUUM DETAIL  
N.T.S.



4\"/>

STANDARD DETAIL NO. AI-3H  
AIR/VAC VACUUM DETAIL  
N.T.S.



4\"/>

STANDARD DETAIL NO. AI-1H  
AIR/VAC VACUUM DETAIL  
N.T.S.



FUTURE DETAIL

STANDARD DETAIL NO. AI-2H  
AIR/VAC VACUUM DETAIL  
N.T.S.



FUTURE DETAIL

STANDARD DETAIL NO. AI-3H  
AIR/VAC VACUUM DETAIL  
N.T.S.

NO CONSIGNATION OF THE RECEIPT OF THIS DOCUMENT, THE  
REQUESTER AGREES NOT TO REPRODUCE OR USE  
TRANSMIT THIS DOCUMENT AND/OR THE INFORMATION  
THEREIN CONTAINED IN WHOLE OR IN PART OR TO SUFFER  
SUCH ACTION BY OTHER, FOR ANY PURPOSE EXCEPT WITH THE  
WRITTEN PERMISSION OF AIR/VAC, INC. AND FURTHER AGREES  
TO SURRENDER SAME TO AIR/VAC, INC. UPON DEMAND.

NO.

REVISIONS

DATE

TITLE

SHEET NO.