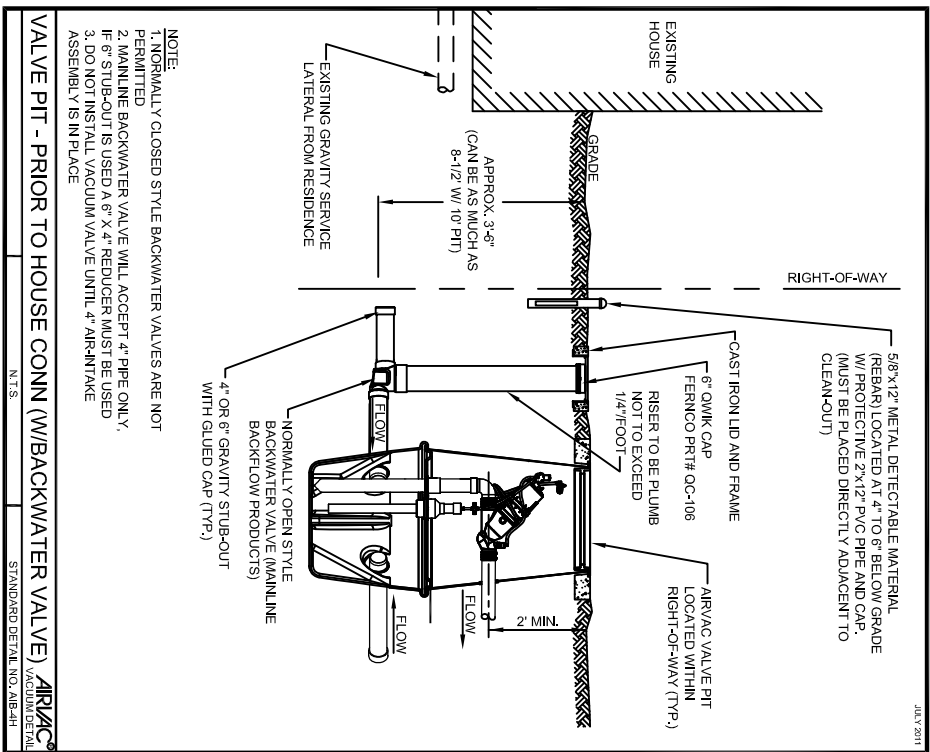
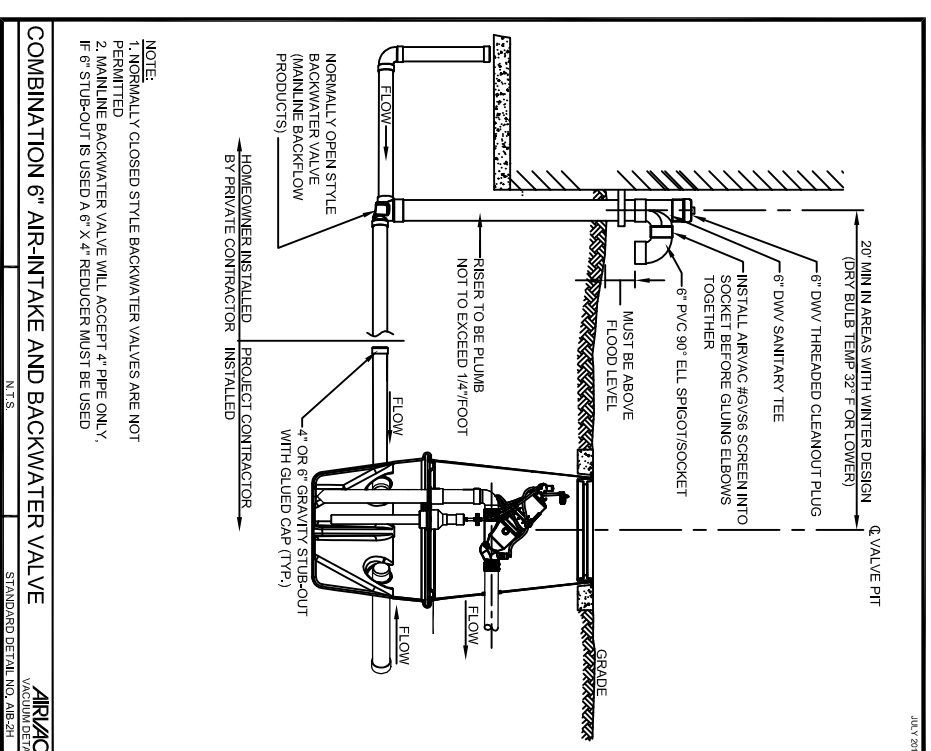


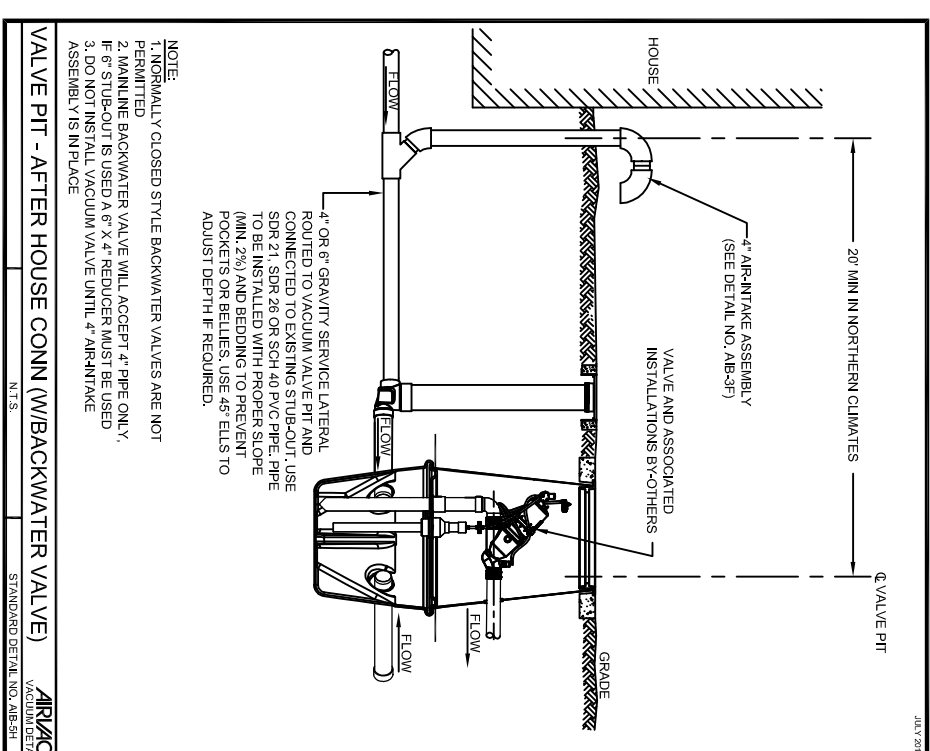
4\"/>



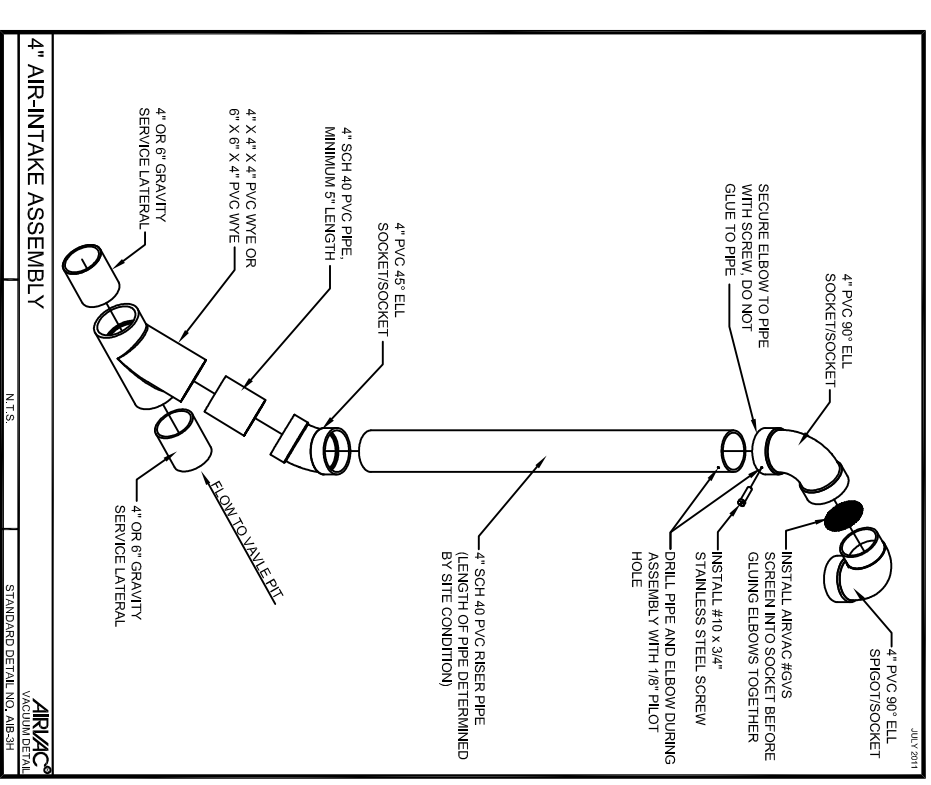
VALVE PIT - PRIOR TO HOUSE CONN (W/BACKWATER VALVE)



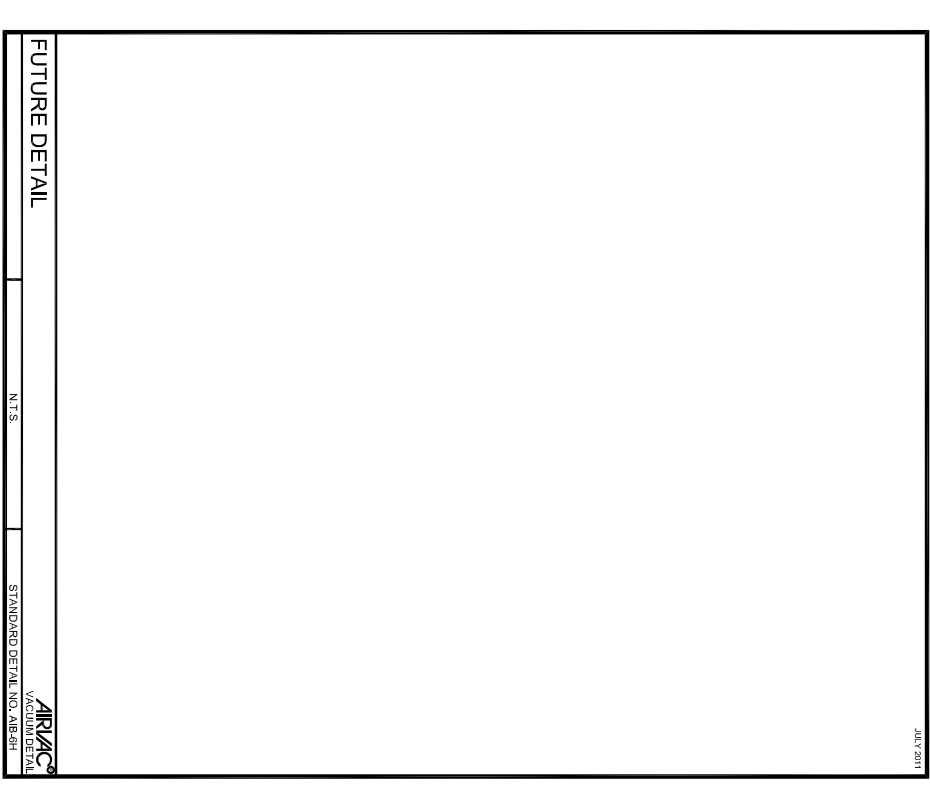
COMBINATION 6\"/>



VALVE PIT - AFTER HOUSE CONN (W/BACKWATER VALVE)



4\"/>



FUTURE DETAIL

NO.	REVISIONS
-----	-----------

DATE
