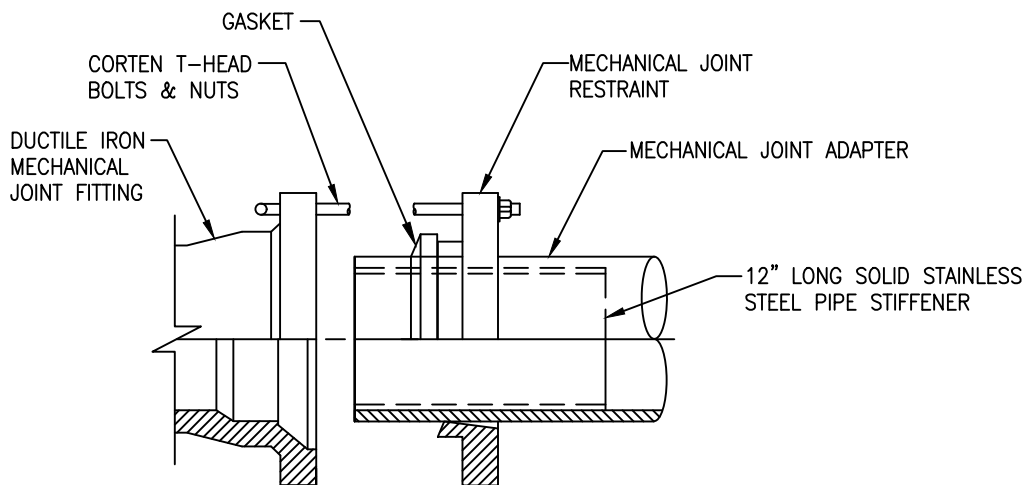


H.D.P.E. TO P.V.C. TRANSITION DETAIL



H.D.P.E. TO D.I. TRANSITION DETAIL

N.T.S.