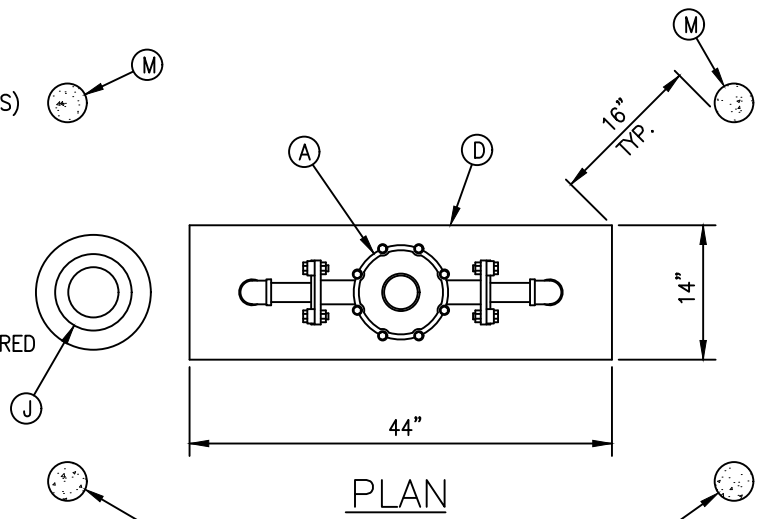


ITEM TO BE SUPPLIED BY SARASOTA COUNTY  
(AT DEVELOPER'S EXPENSE)

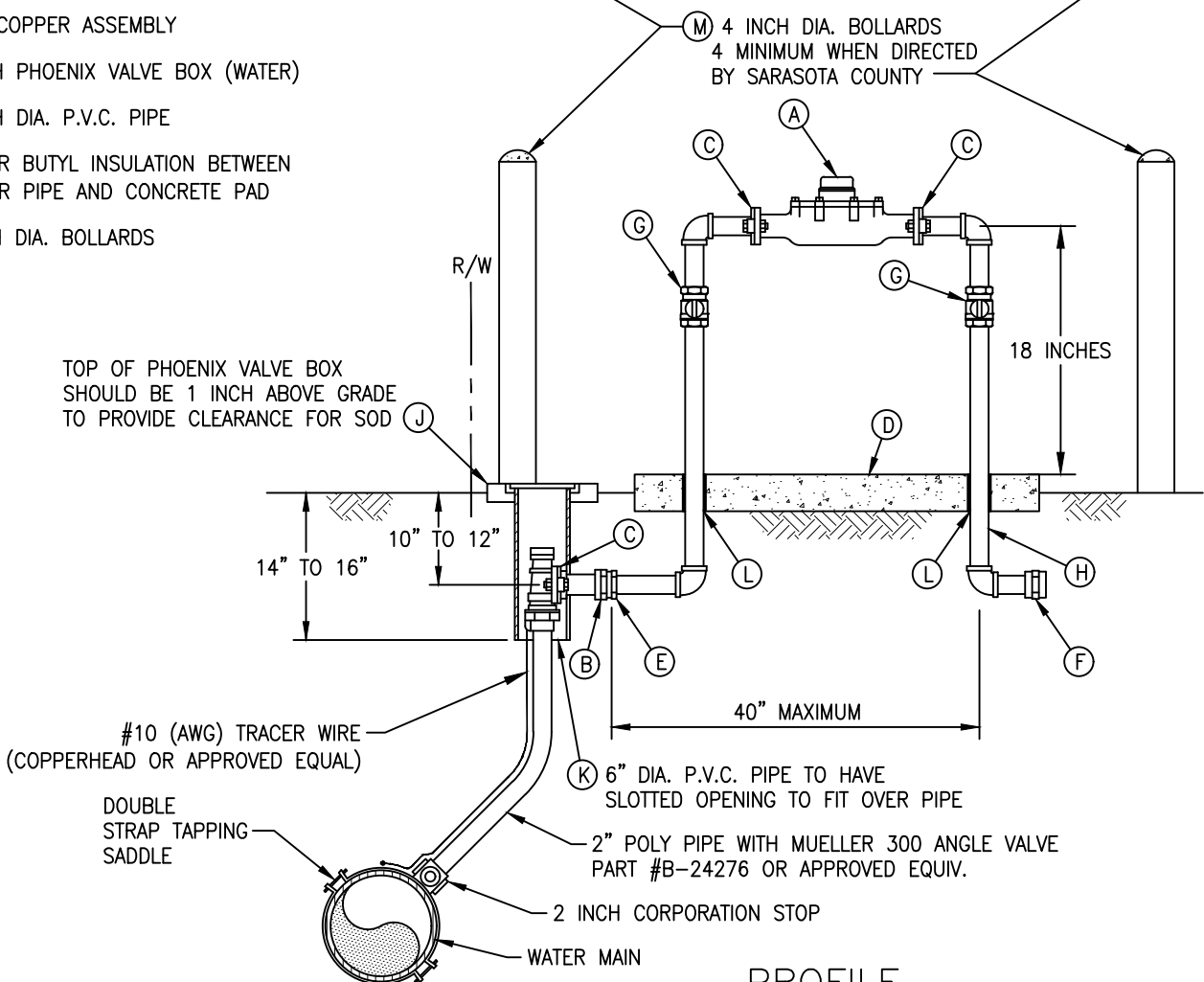
- (A) 2 INCH FLANGED WATER METER LAYING LENGTH = 17 INCHES (WITHOUT GASKETS)  
TOTAL LAY LENGTH = 17-1/4 INCHES (WITH GASKETS)

ITEMS TO BE SUPPLIED BY CONTRACTOR

- (B) 2 INCH METER SPUDS
- (C) 2 INCH FLANGED COUPLER ADAPTER KIT
- (D) CONCRETE PAD 4 INCH THICK, MINIMUM 44 INCH x 14 INCH NO REINFORCEMENT WIRE REQUIRED
- (E) 2-1/2 INCH MIP x 2 INCH FIP BUSHING
- (F) 2 INCH x 2 INCH C x FIP ADAPTER
- (G) APPROVED RESILIENT SEAT LOCKABLE BALL VALVE
- (H) HARD COPPER ASSEMBLY
- (J) 6 INCH PHOENIX VALVE BOX (WATER)
- (K) 6 INCH DIA. P.V.C. PIPE
- (L) PVC OR BUTYL INSULATION BETWEEN COPPER PIPE AND CONCRETE PAD
- (M) 4 INCH DIA. BOLLARDS



PLAN



PROFILE

TOP OF PHOENIX VALVE BOX SHOULD BE 1 INCH ABOVE GRADE TO PROVIDE CLEARANCE FOR SOD

#10 (AWG) TRACER WIRE (COPPERHEAD OR APPROVED EQUAL)

DOUBLE STRAP TAPPING SADDLE

6" DIA. P.V.C. PIPE TO HAVE SLOTTED OPENING TO FIT OVER PIPE

2" POLY PIPE WITH MUELLER 300 ANGLE VALVE PART #B-24276 OR APPROVED EQUIV.

2 INCH CORPORATION STOP

WATER MAIN

NOTES:

1. PRIMER COAT WITH 2 COATS OF EPOXY FOR ALL ABOVE GROUND APPURTENANCES ABOVE 3 INCHES; FIRE HYDRANTS, METER ASSEMBLIES, VALVES, FORCE MAIN ABOVE GROUND ASSEMBLIES, RECLAIM ASSEMBLIES AND BRIDGE PIPE CROSSINGS.

N.T.S.

WATER\_DWG\_NO.12.DWG 03/2020