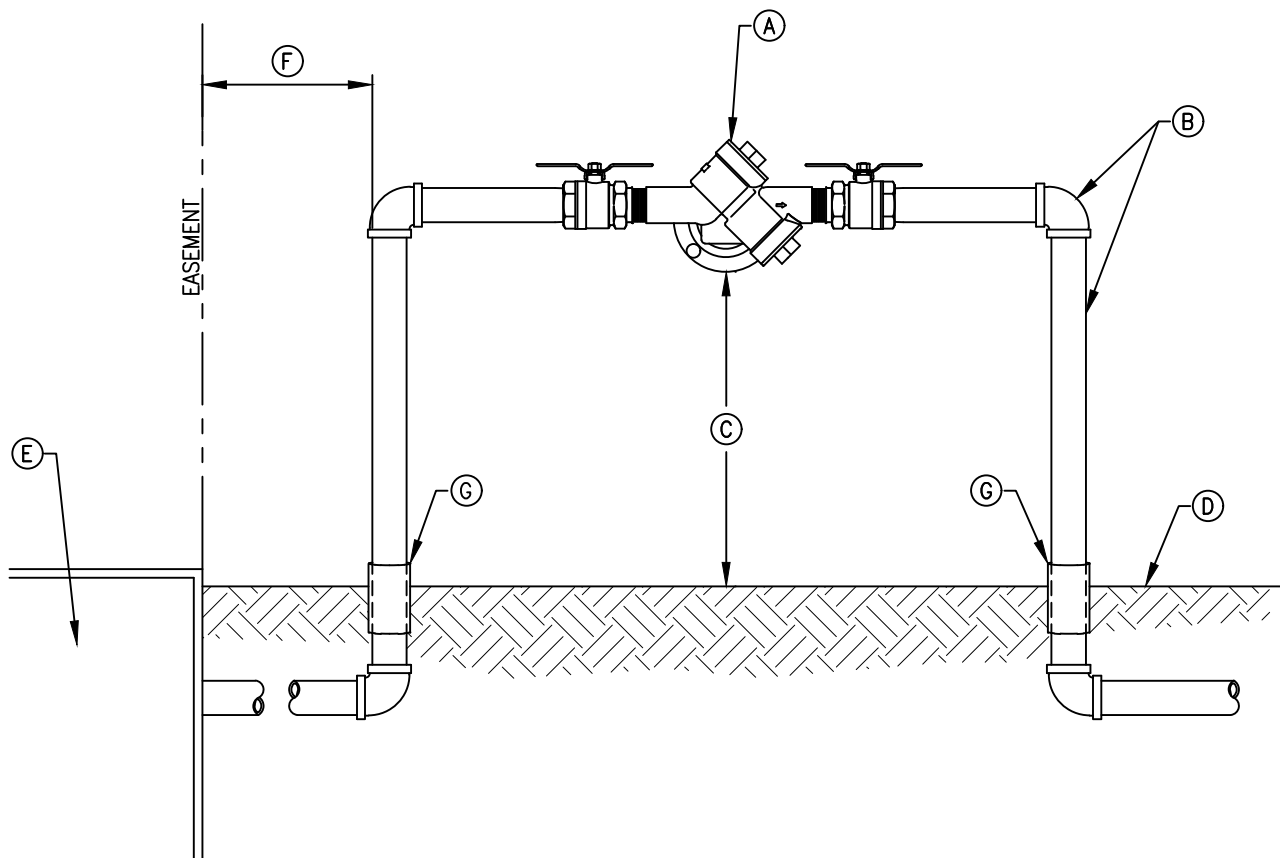


## MATERIALS

- (A) LEAD-FREE BACKFLOW PREVENTER ASSEMBLY (USC AND ASSE 1013 APPROVED)
- (B) ALL PIPING AND FITTING SHALL BE BRASS OR COPPER
- (C) INSTALL VALVE MIN. 12 INCHES ABOVE FINAL GRADE
- (D) FINISHED GRADE (CONCRETE IS MANDATORY FOR 2 INCH SIZE AND GREATER)
- (E) UTILITY METER BOX OR 2 INCH ABOVE GROUND ASSEMBLY
- (F) 24 INCH MAXIMUM
- (G) PVC SLEEVE AROUND PIPE TO PROTECT IT FROM CONCRETE



## NOTES:

1. WHEN REQUIRED CONCRETE PAD 4 INCH THICK AND EXTEND TO 3 INCH BEYOND ALL PIPES.

N.T.S.